



提供最耐用的解决方案
OFFER YOU THE MOST DURABLE SOLUTIONS

徐州炎黄工程机械有限公司 CNS Machinery (Xuzhou) Co., Ltd.

地址:江苏省徐州市铜山经济开发区

Add: Tongshan Economic Development Zone, Xuzhou, JiangSu province, China.

电话(Tel): (0086) 178 2648 0652

邮箱(E-mail):admin@cnsmach.com marketing@cnsmach.com



徐州炎黄工程机械有限公司

CNS Machinery (Xuzhou) Co., Ltd.

www.cnsmach.com

cnsmach.en.made-in-china.com



COMPANY INTRODUCTION

公司介绍

徐州炎黄工程机械有限公司

CNS Machinery (Xuzhou) Co., Ltd.



CNS Group, located in Xuzhou city, is a group enterprise with:

Lifting machinery factory including marine crane, truck mounted crane, aerial work vehicle and truck tail lift -CNS Machinery (Xuzhou) Co., Ltd.

Hydraulic cylinder factory-Yanhuang hydraulic cylinder (Anhui) Co., Ltd & Yanhuang hydraulic cylinder (Xuzhou) Co., Ltd.

Health care product: Smart plant factory and Oxygen Chamber factory-CNS Machinery(Suzhou) Co., Ltd.

By maintaining strict inspection systems from raw materials to finished product, since 2006 when the factory was established, and now has integrated R&D, fabrication and domestic transportation systems and sales. Based on rapid development and growth, we started export in 2015, and expanded our factory to 60000 m2 in 2023 to meet the higher demand.

CNS has strict inspection systems from raw materials to finished products, 'Never compromise in quality' is the basic principle, with ISO9001, BV, CE, and CCS, ABS, DNV, API2C, RMRS, IRS cert. for marine cranes.

CNS invests nearly quarter of saleroom in R&D and provides OEM/ODM service for both in and abroad. CNS products have been exported to Middle East, South East Asia, South America, Russia, Europe etc.

CNS集团位于徐州市，是一家集

起重机械工厂：包括船用起重机、车载起重机、高空作业车及汽车尾板——CNS机械（徐州）有限公司。

液压油缸工厂：安徽炎黄液压科技有限公司 & 徐州炎黄工程机械有限公司。

健康护理产品：智能植物工厂与氧气舱工厂——CNS机械（宿州）有限公司。

自2006年工厂成立以来，通过从原材料到成品的严格检验体系，现已发展成为集研发、生产制造、国内运输系统和销售为一体的企业。基于快速发展和增长，我们于2015年开始出口，并于2023年将工厂面积扩建至60000平方米，以满足更高的需求。

CNS 从原材料到成品都有严格的检验体系，“质量永不妥协”是基本原则，拥有 ISO9001、BV、CE 以及 CCS、ABS、DNV、API2C、RMRS、IRS 船用起重机认证。

CNS每年将近四分之一的销售额投入到研发中，并为国内外客户提供OEM/ODM服务，产品远销中东、东南亚、南美、俄罗斯、土耳其及其他欧洲国家。

GLOBAL SALES NETWORK

世界销售网络

- 我们拥有20多年起重设备、高空作业设备生产经验。
 - 我们在全球多个国家拥有代理和独家代理权。
 - 7/24售后服务响应, 并逐步建立海外售后和零部件库存。
 - 我们的产品出口到全球**124个**国家和地区。
-
- We have more than 20 years Experience in Crane and aerial work platform production.
 - We are expanding agent and exclusive agents overseas
 - 7/24 After sale service and we are establishing overseas after-sale network and spares stock
 - Our cranes are Exported to **124 Countries and Regions** Around the World.



GLOBAL SALES NETWORK

CERTIFICATE 证书

PARTNER 合作伙伴



CERTIFICATE

PARTNER 合作伙伴



PARTNER

KNUCKLE BOOM TRUCK MOUNTED CRANE 折叠臂随车起重机

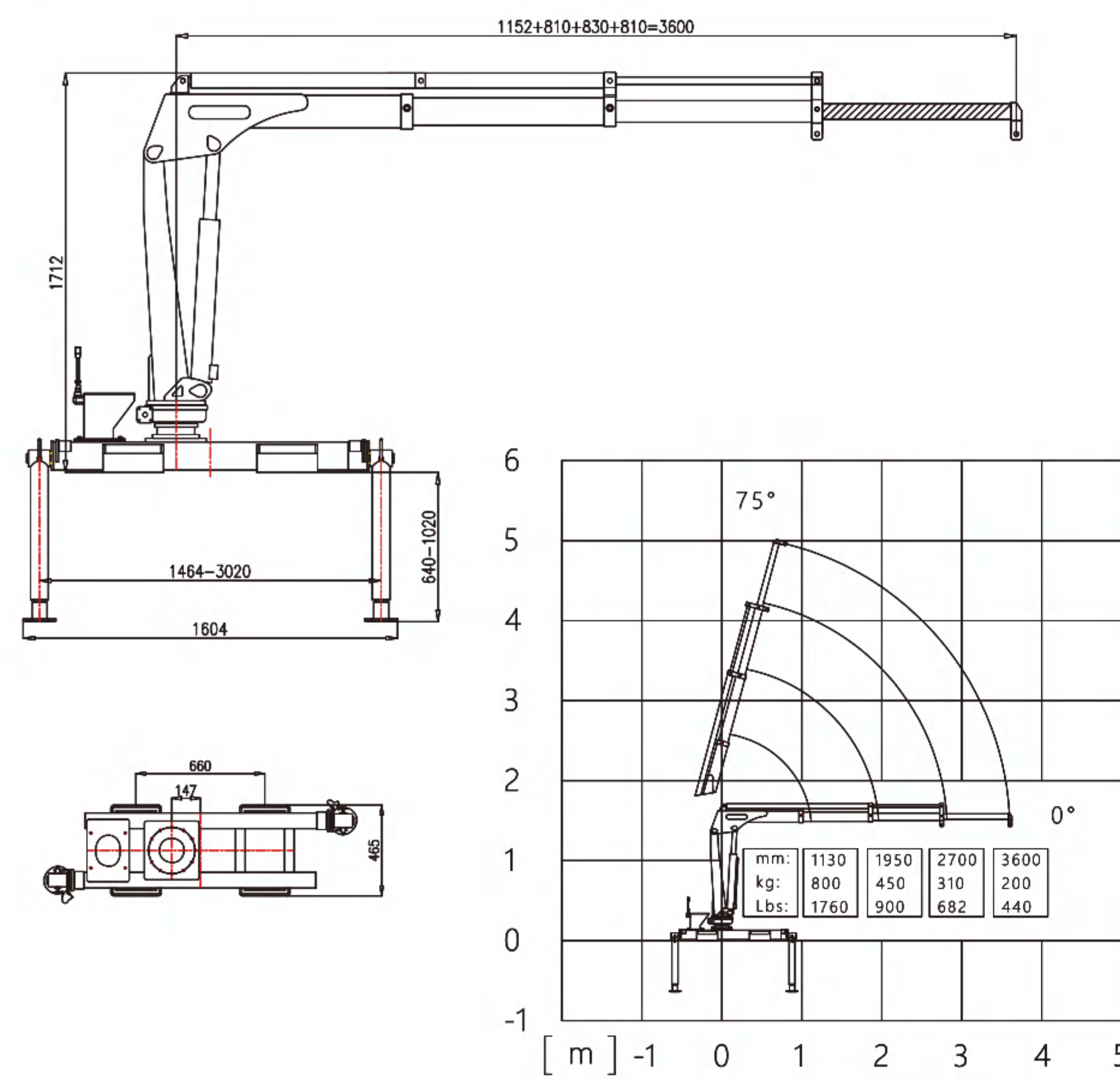
折叠系列产品优势 KNUCKLE BOOM ADVANTAGE

1. 关键结构件均采用高强度板焊接，吊臂六边形截面，对中性好、更结实、耐用；
2. 配备专用力矩限制器，安全等级高，通过各种安全认证，吊装作业更加精准，安全可靠；
3. 6.3T以上吊机采用方厢支腿，能更好的保护油缸。
4. 多种可选配置，如绞车、钻杆、吊篮、抓具等可满足个性化定制需求；
5. 多种操作方式可选，如高空座椅、无线遥控操纵系统等，作业更加便利；
6. 双四连杆变幅机构，可以实现反角，应用范围广，作业灵活；
7. 标配大跨距固定支腿，可选装手动翻转，保障作业稳定性和作业便捷性。

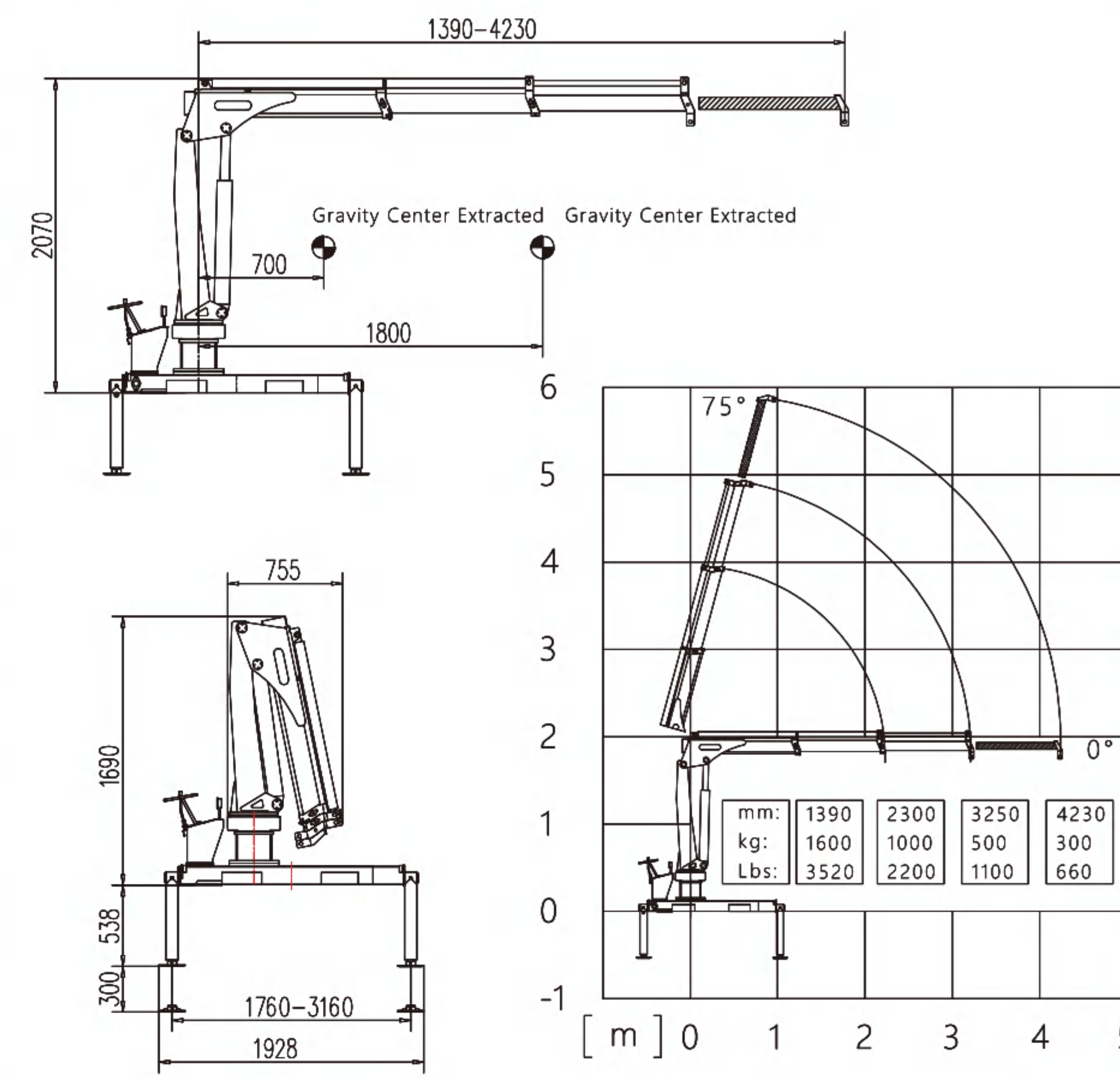
1. All the key structural components are welded with high-strength plates. The hexag boom section ensures excellent alignment, more sturdy quality and greater durabil
2. Our products are equipped with a dedicated torque limiter, offering a high level of s
The cranes are certified for various safety standards, making lifting operations mor
precise, safe, and reliable.
3. Cranes with a capacity above 6.3 tons feature box-type outriggers, offering better
protection for the hydraulic cylinders.
4. Multiple optional configurations, such as winches, augers, baskets, and grapples, a
personalized customization.
5. Various operation modes are available, including aerial seats and wireless remote c
systems, making work more convenient.
6. The dual four-bar linkage mechanism allows for reverse angles, offering wide applic
versatility and flexible operation.
7. Standard large-span fixed outriggers with optional manual flip provide stability an
during operations.



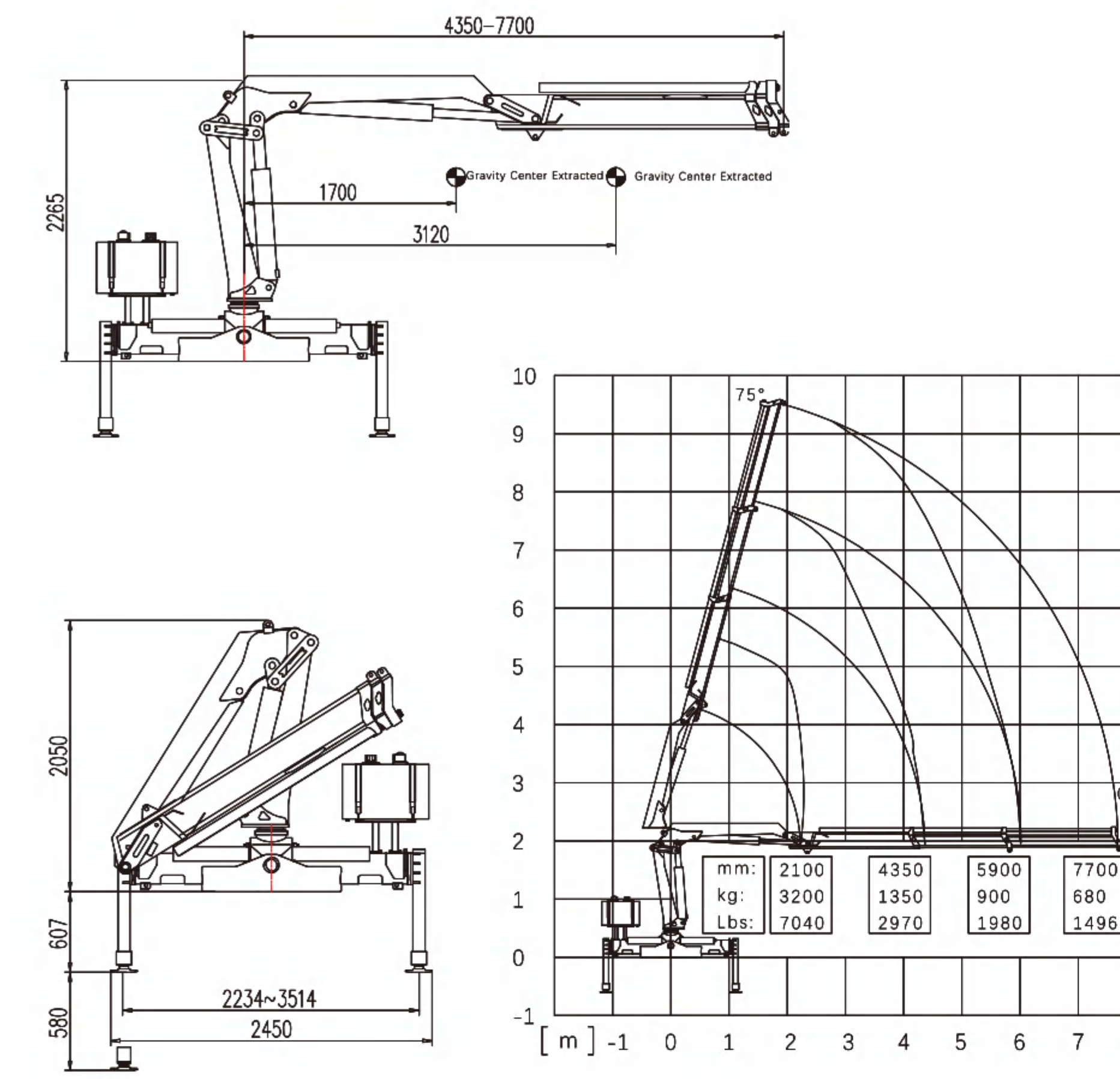
TC08K3+1



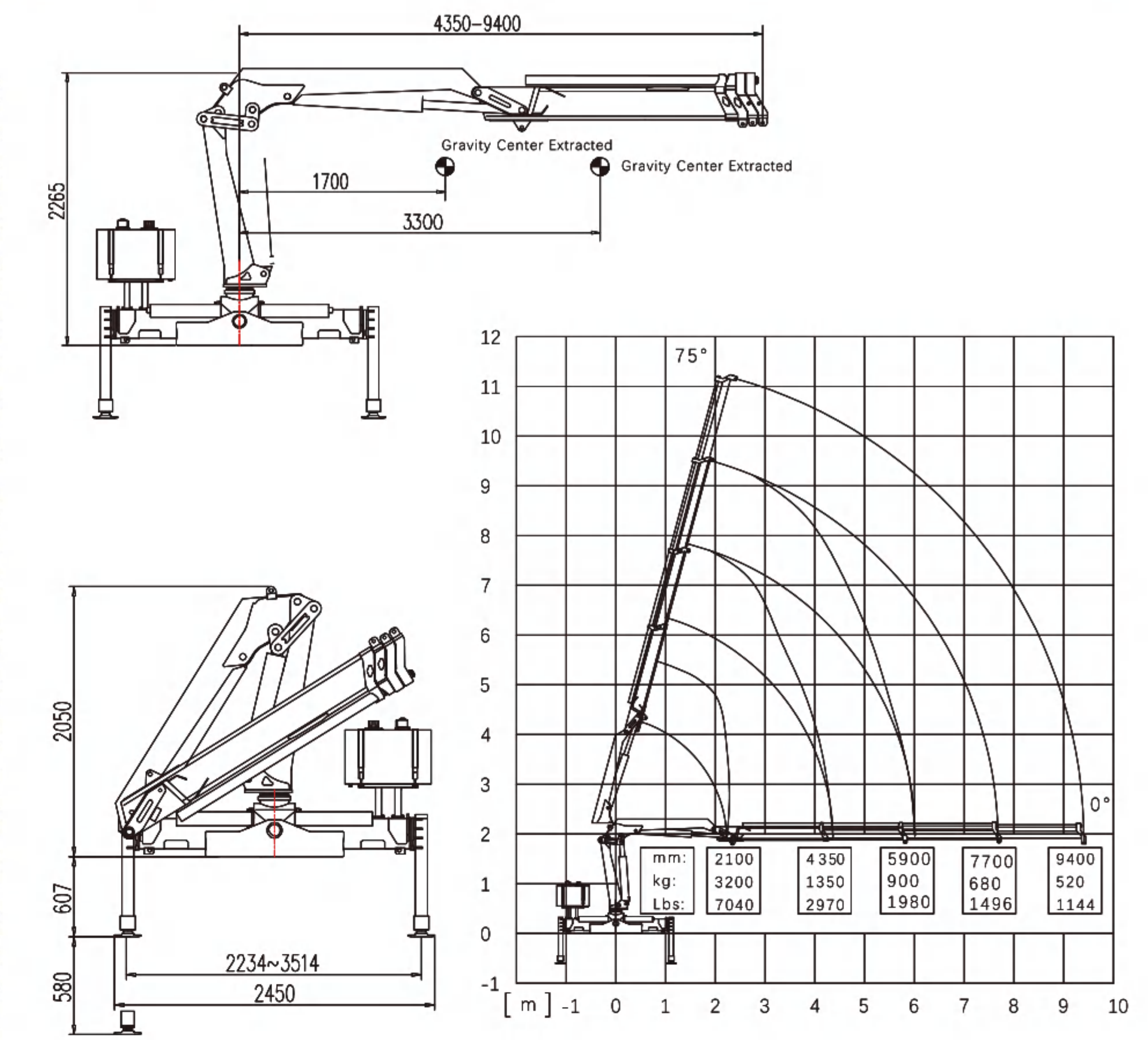
TC1K3+1



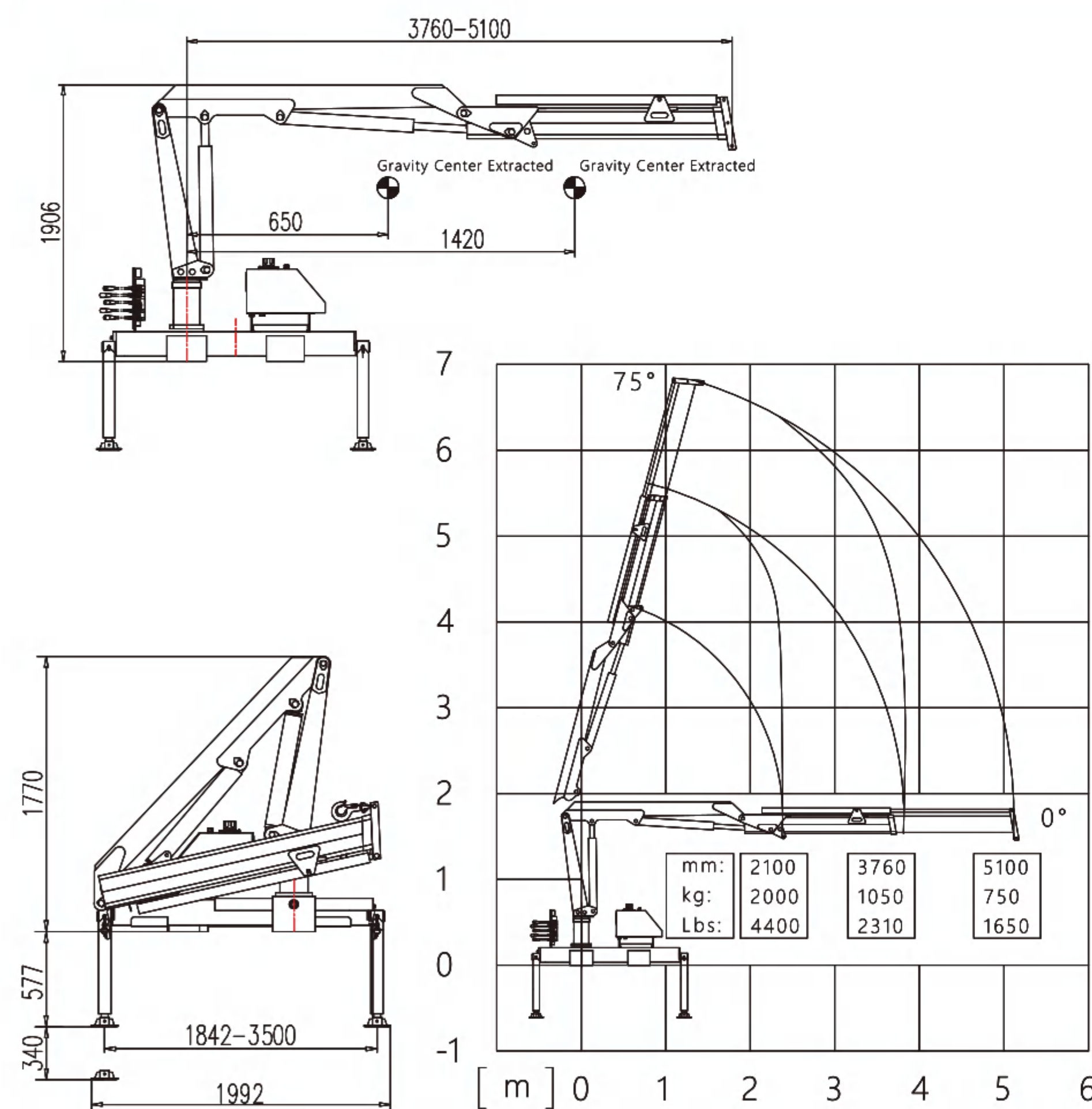
TC3.2K3



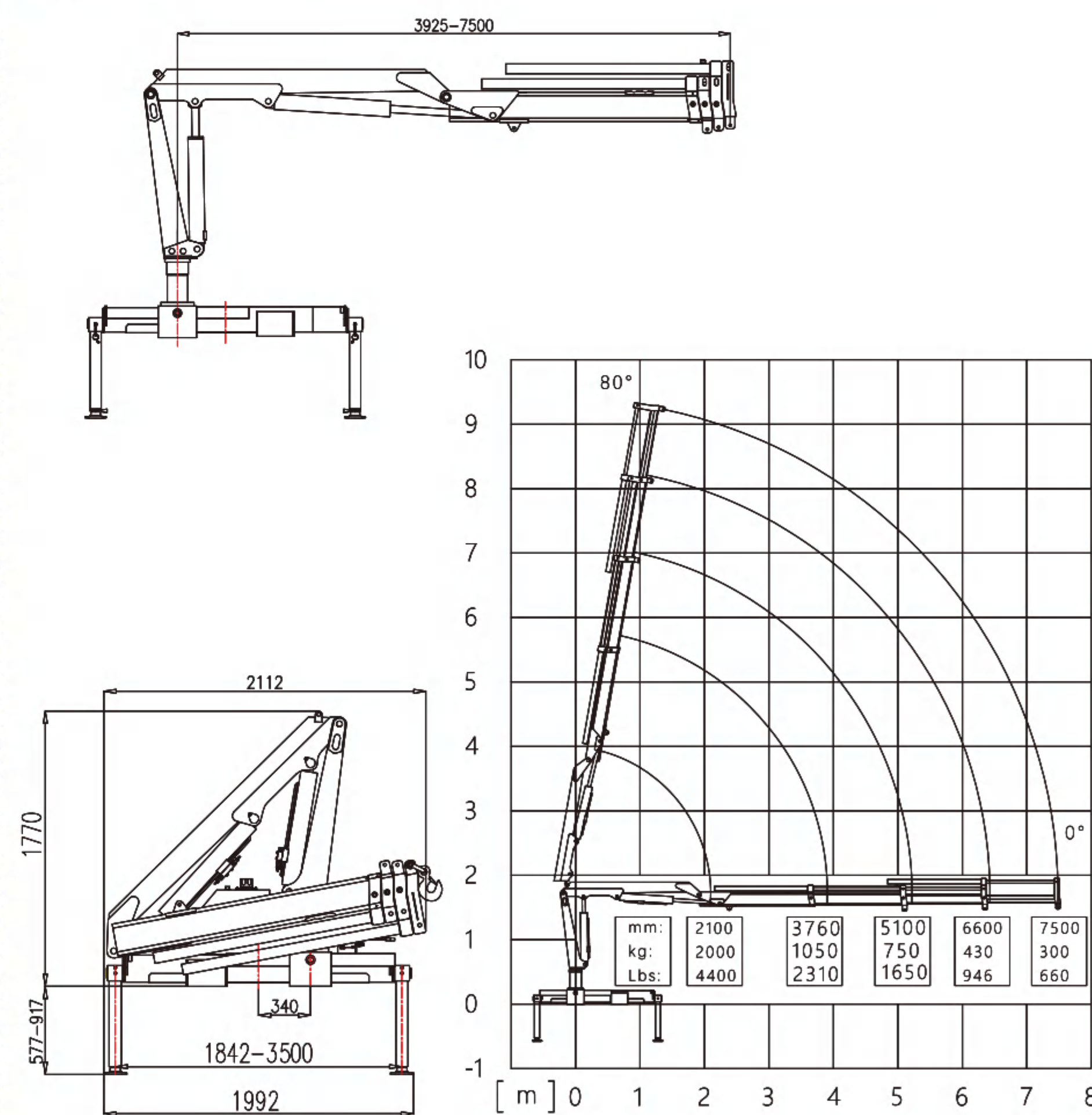
TC3.2K4



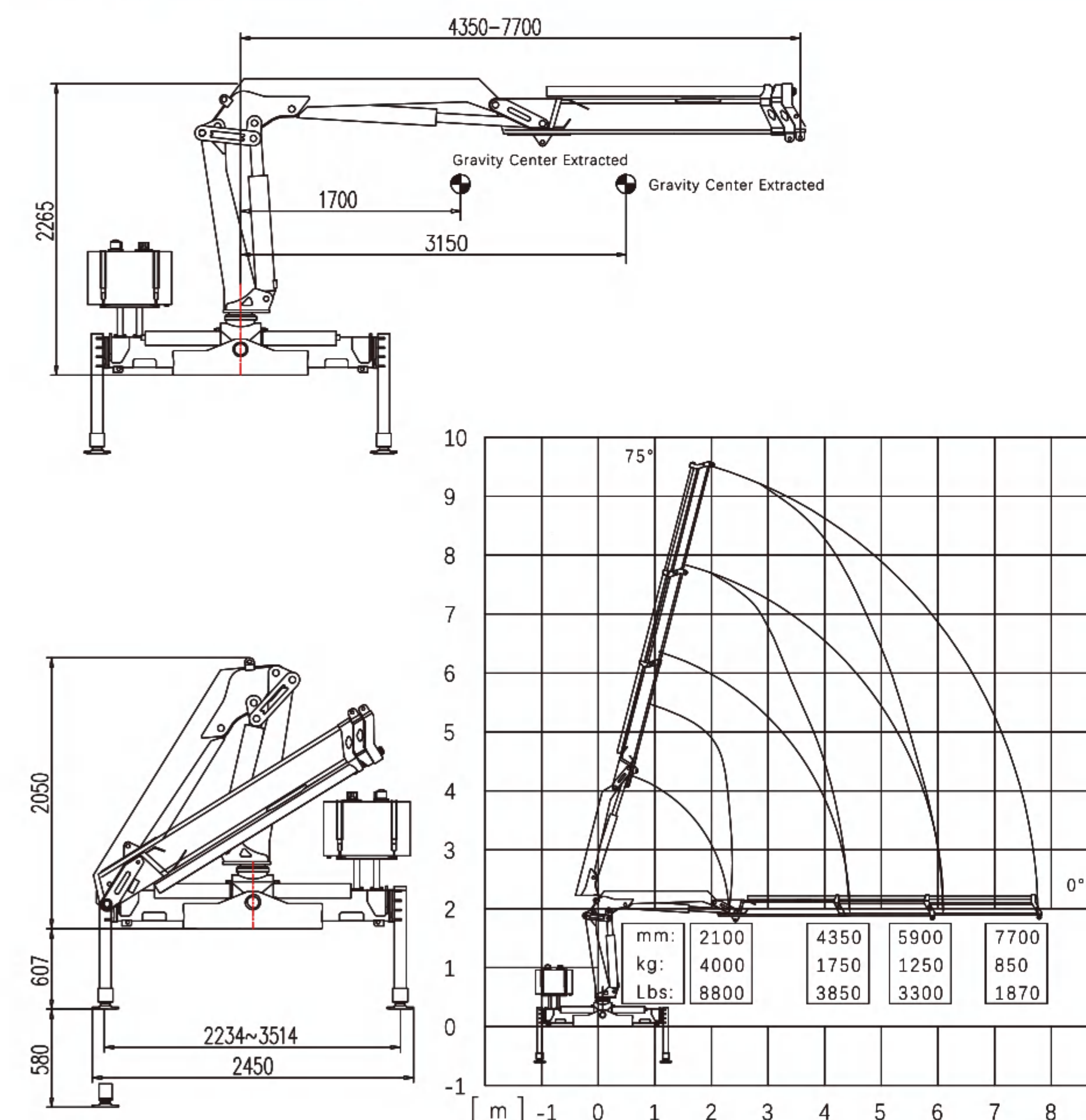
TC2K2



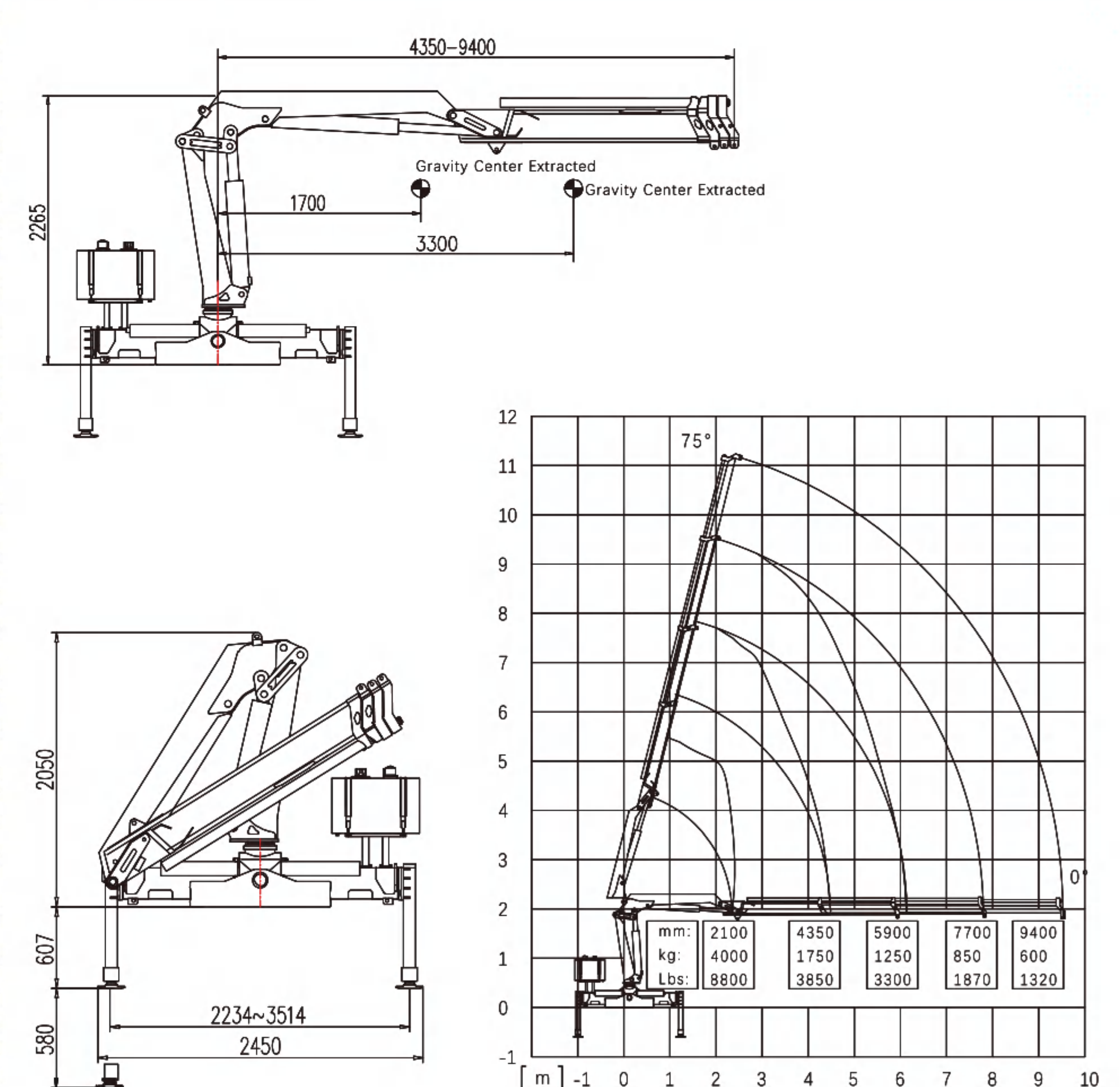
TC2K4



TC4K3



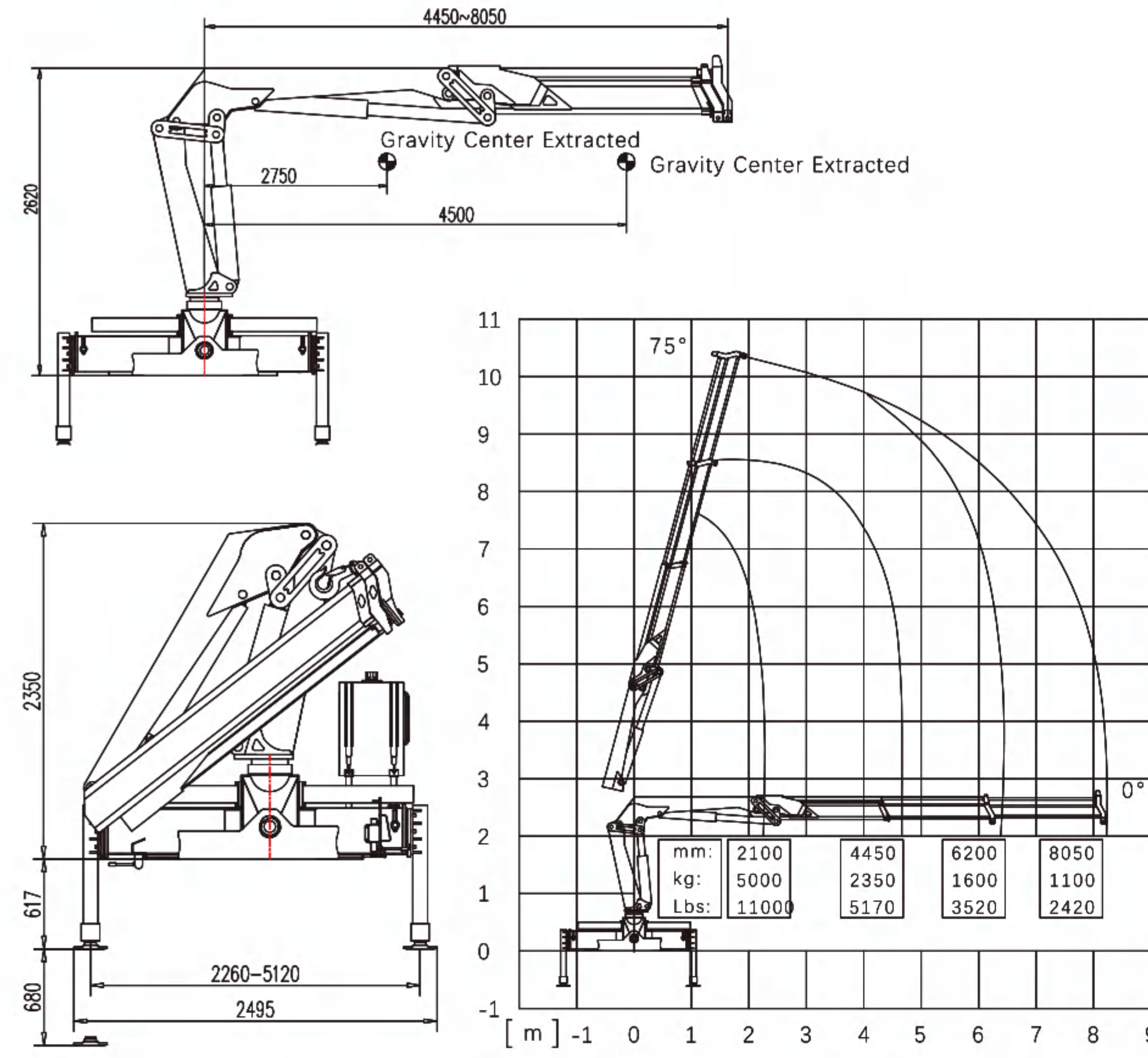
TC4K4



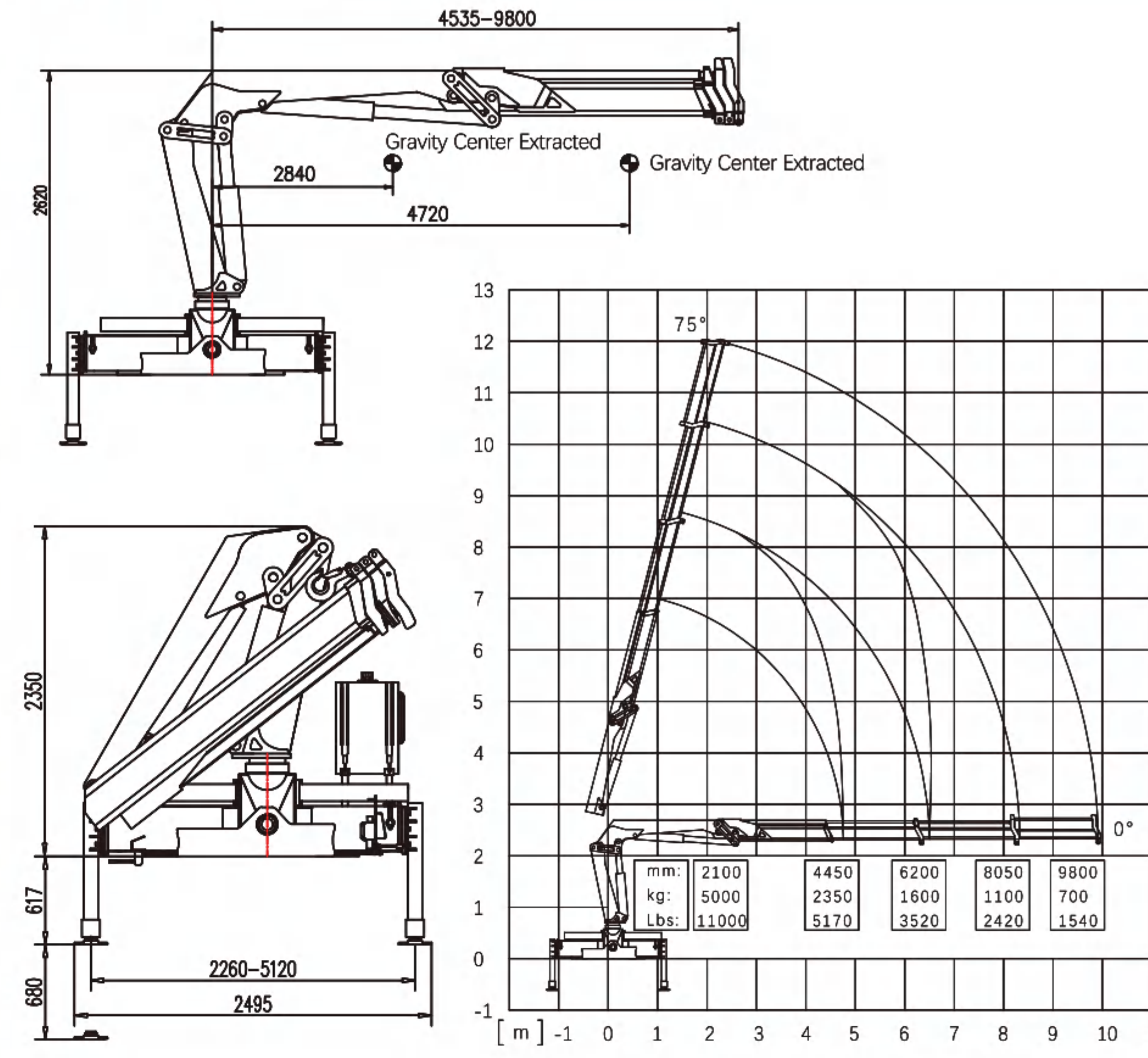
项目	Item	单位 Unit	TC08K3+1	TC1K3+1	TC2K2	TC2K4
最大起重质量	Max Lifting Capacity	Kg	800	1600	2000	2000
最大起重力矩	Max Lifting Moment	Ton.m	1	2.2	4.2	4.2
推荐功率	Recommend Power	KW	2.5	7.5	9	9
液压系统流量	Hydraulic System Flow	L/Min	8	15	20	20
液压系统压力	Hydraulic System Pressure	MPa	16	18	20	20
油箱容积	Oil Tank Capacity	L	15	25	25	25
安装空间	Installation Space	mm	550	550	680	680
起重机自重	Self Weight	Kg	430	550	780	830
回转角度	Rotation Angle	°	330	330	370	370

项目	Item	单位 Unit	TC3.2K3	TC3.2K4	TC4K3	TC4K4
最大起重质量	Max Lifting Capacity	Kg	3200	3200	4000	4000
最大起重力矩	Max Lifting Moment	Ton.m	6.8	6.8	8.4	8.4
推荐功率	Recommend Power	KW	14	14	14	14
液压系统流量	Hydraulic System Flow	L/Min	25	25	25	25
液压系统压力	Hydraulic System Pressure	MPa	25	25	26	26
油箱容积	Oil Tank Capacity	L	60	60	60	60
安装空间	Installation Space	mm	850	850	850	850
起重机自重	Self Weight	Kg	1285	1350	1350	1430
回转角度	Rotation Angle	°	400	400	400	400

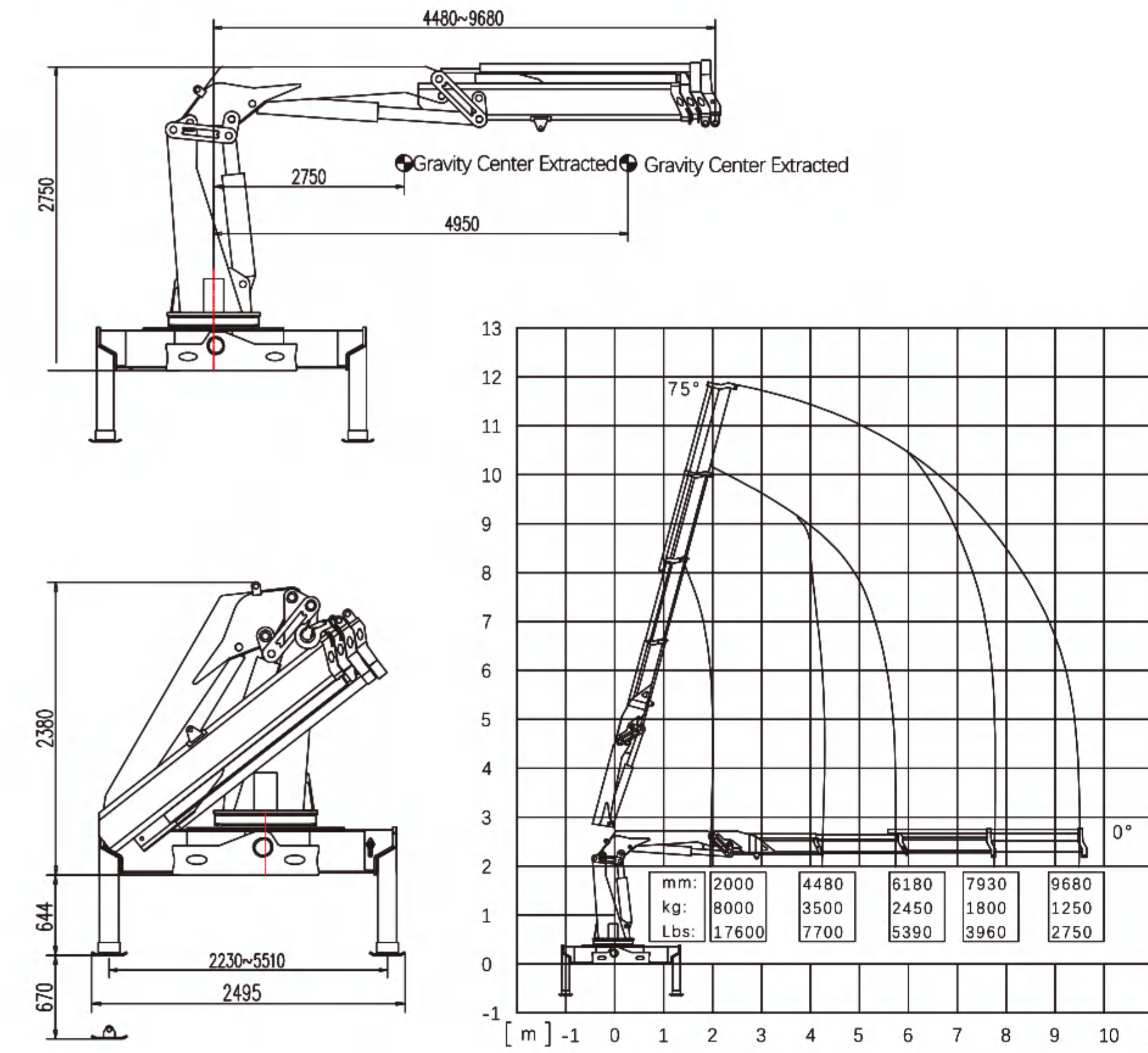
TC5K3



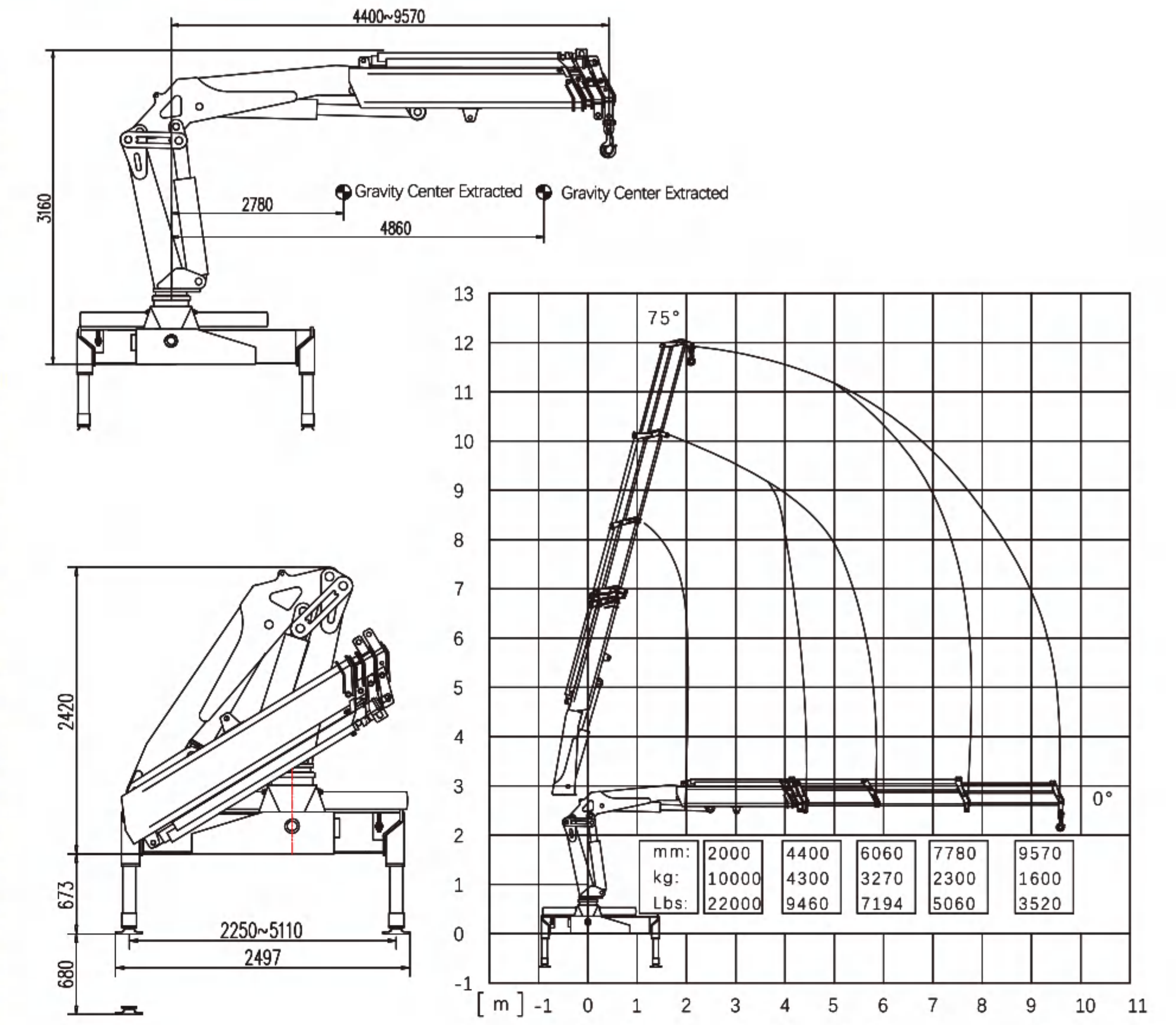
TC5K4



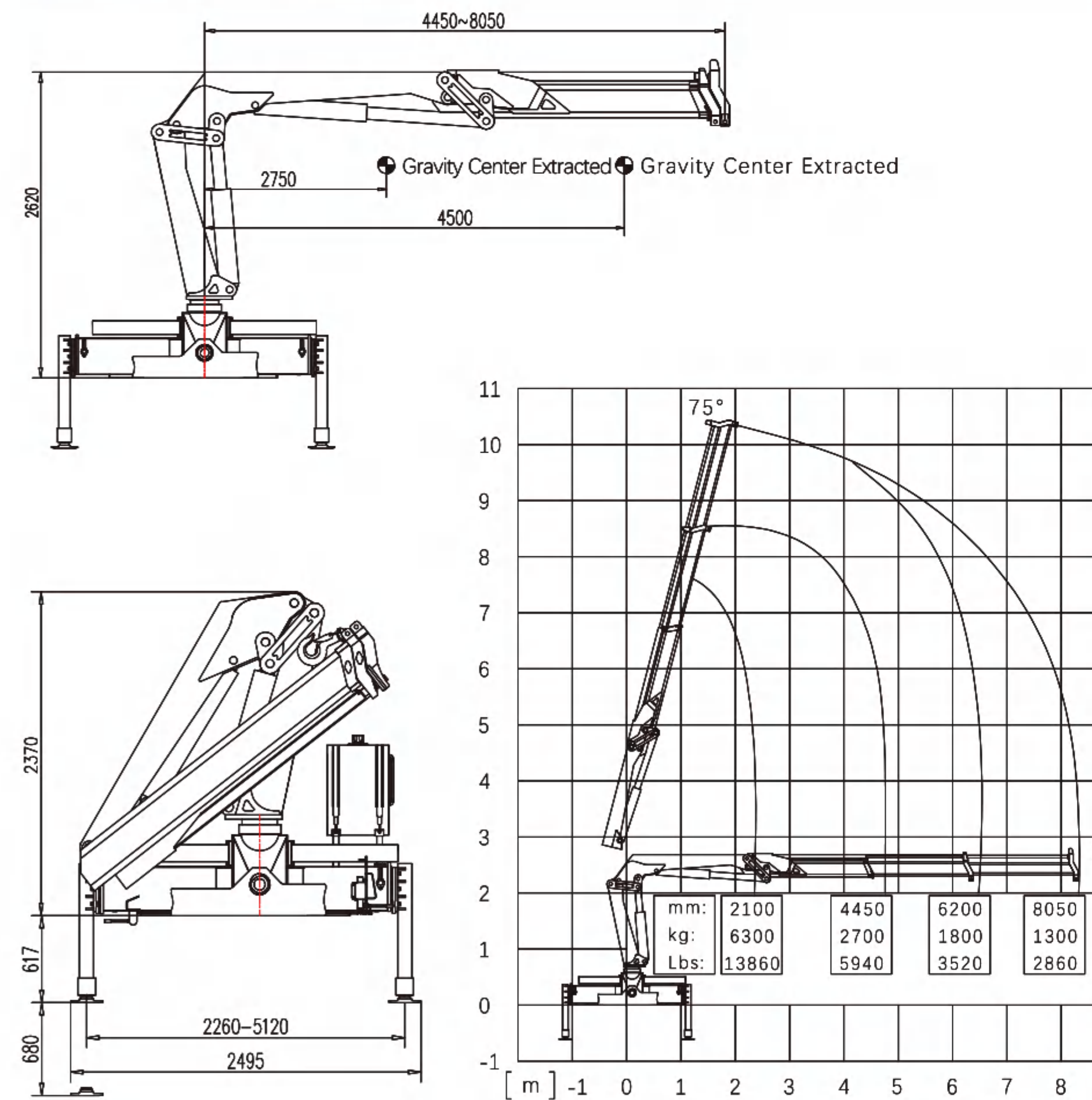
TC8K4



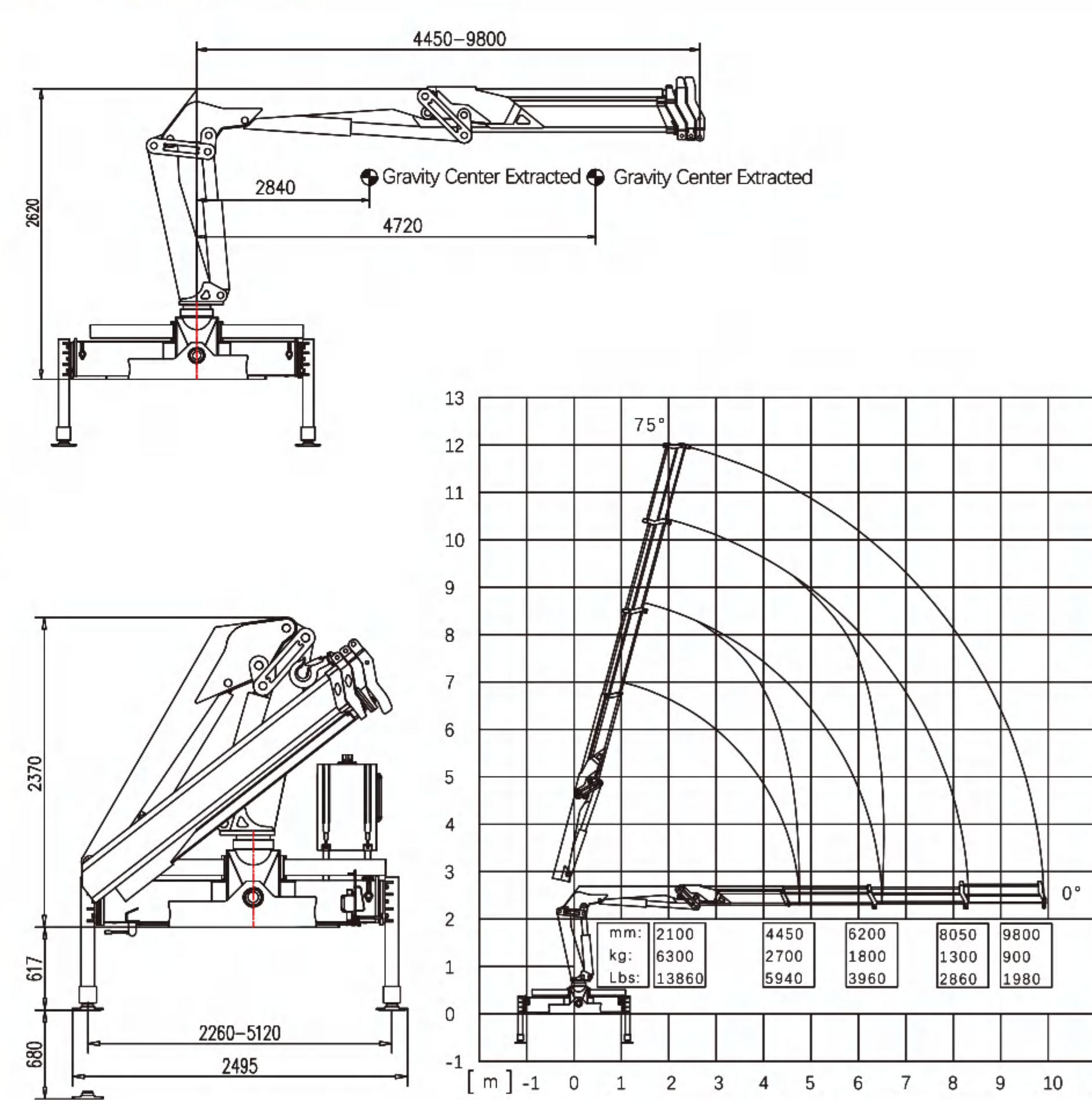
TC10K4



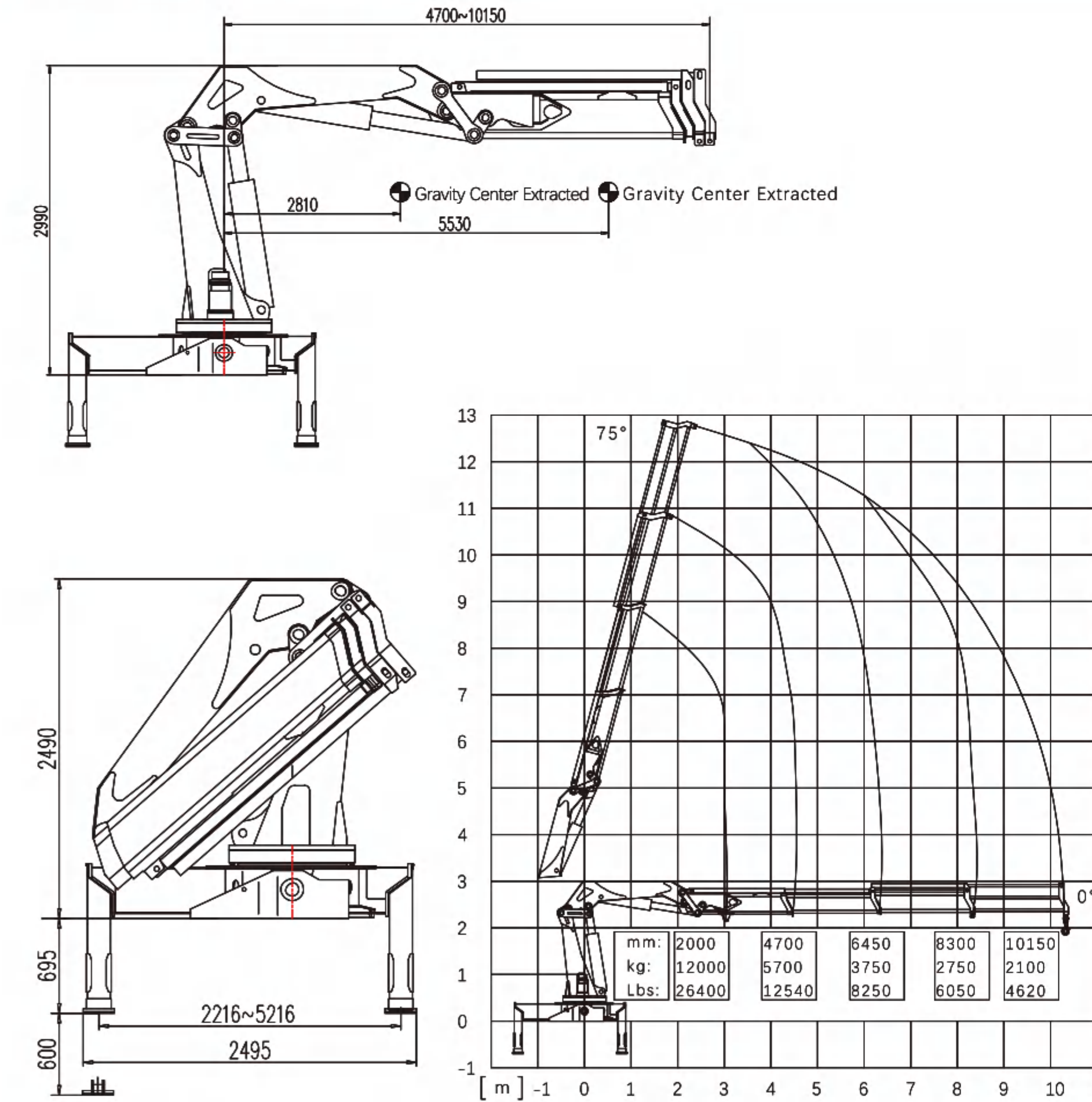
TC6.3K3



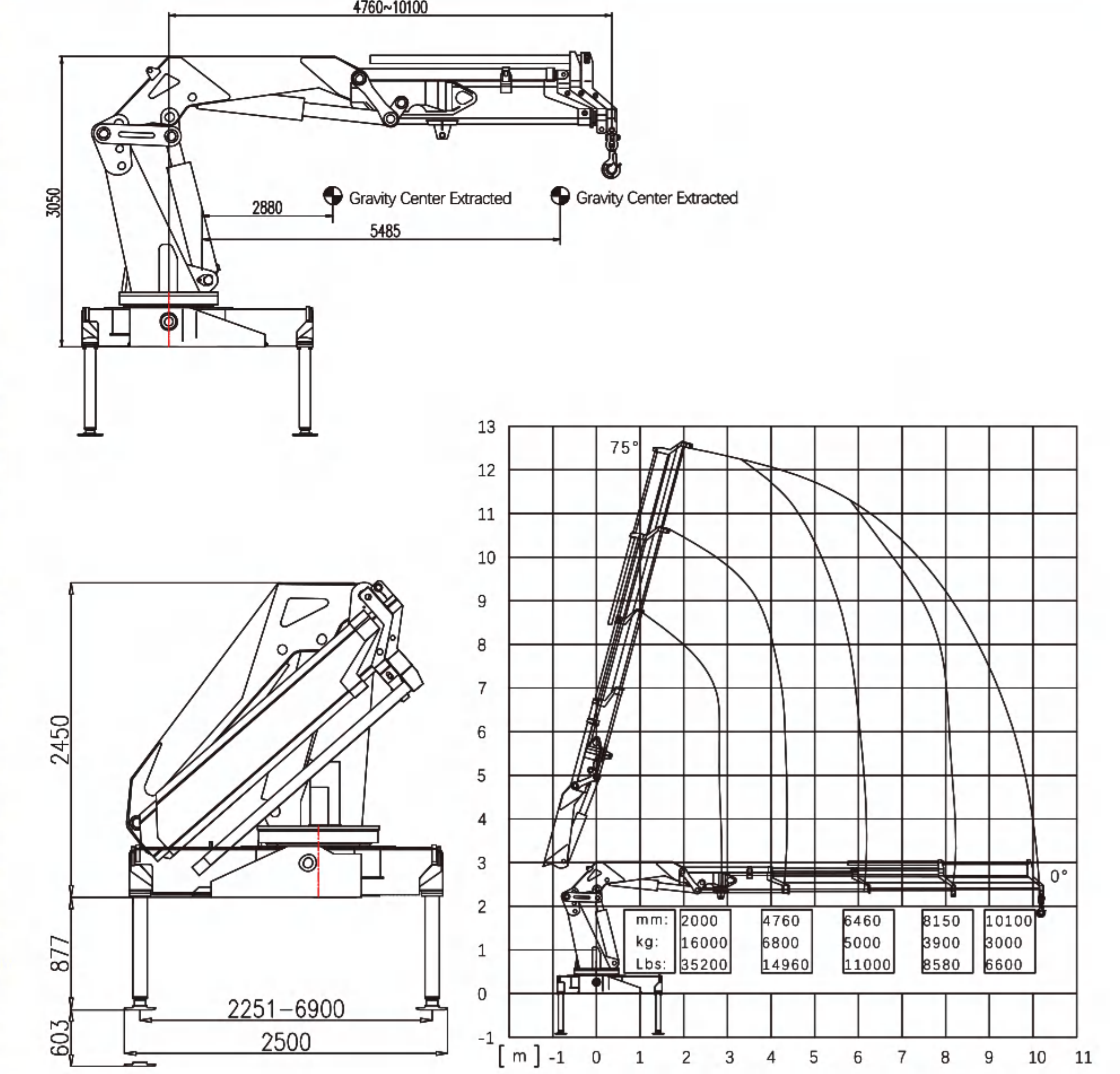
TC6.3K4



TC12K4



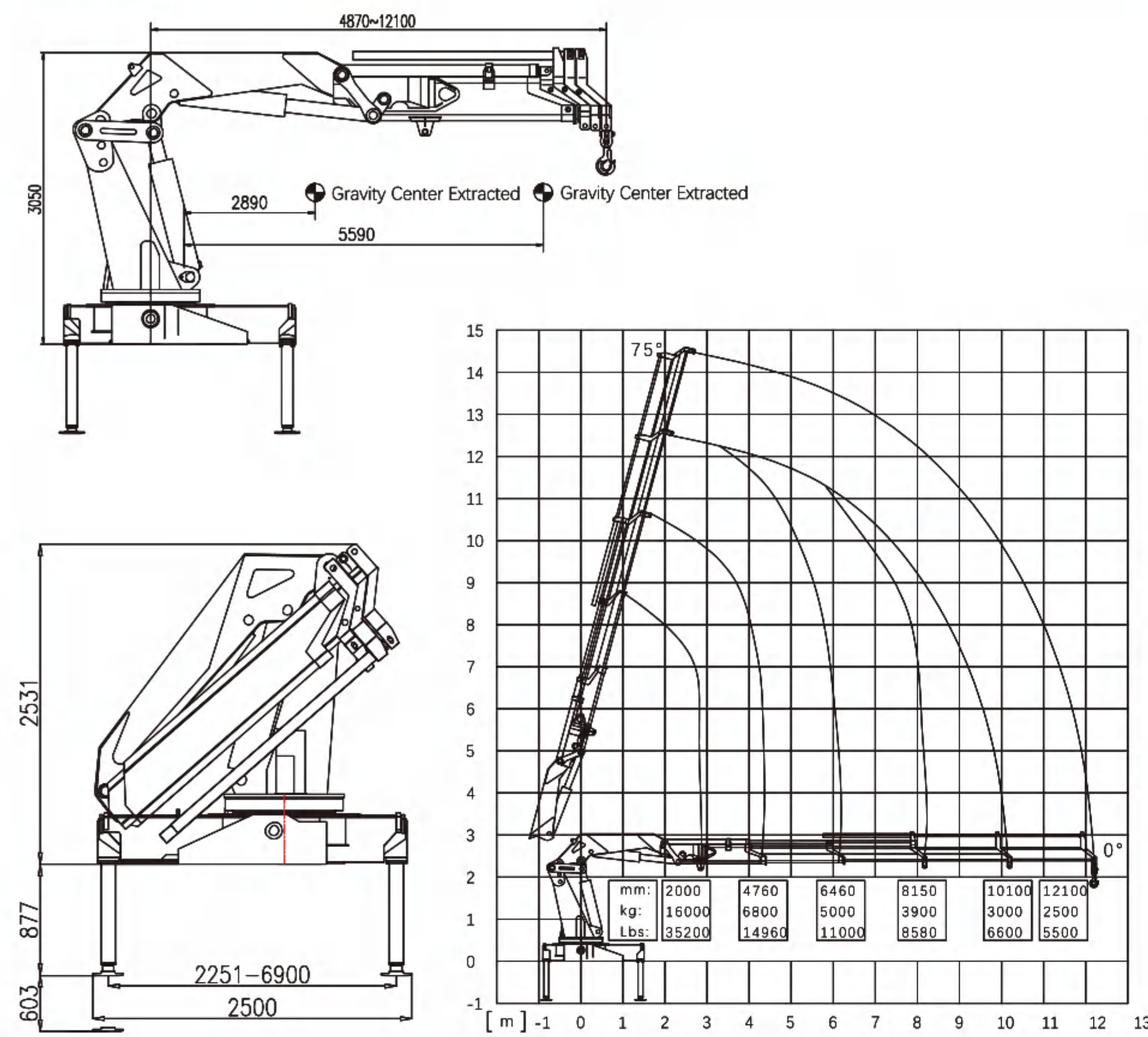
TC16K4



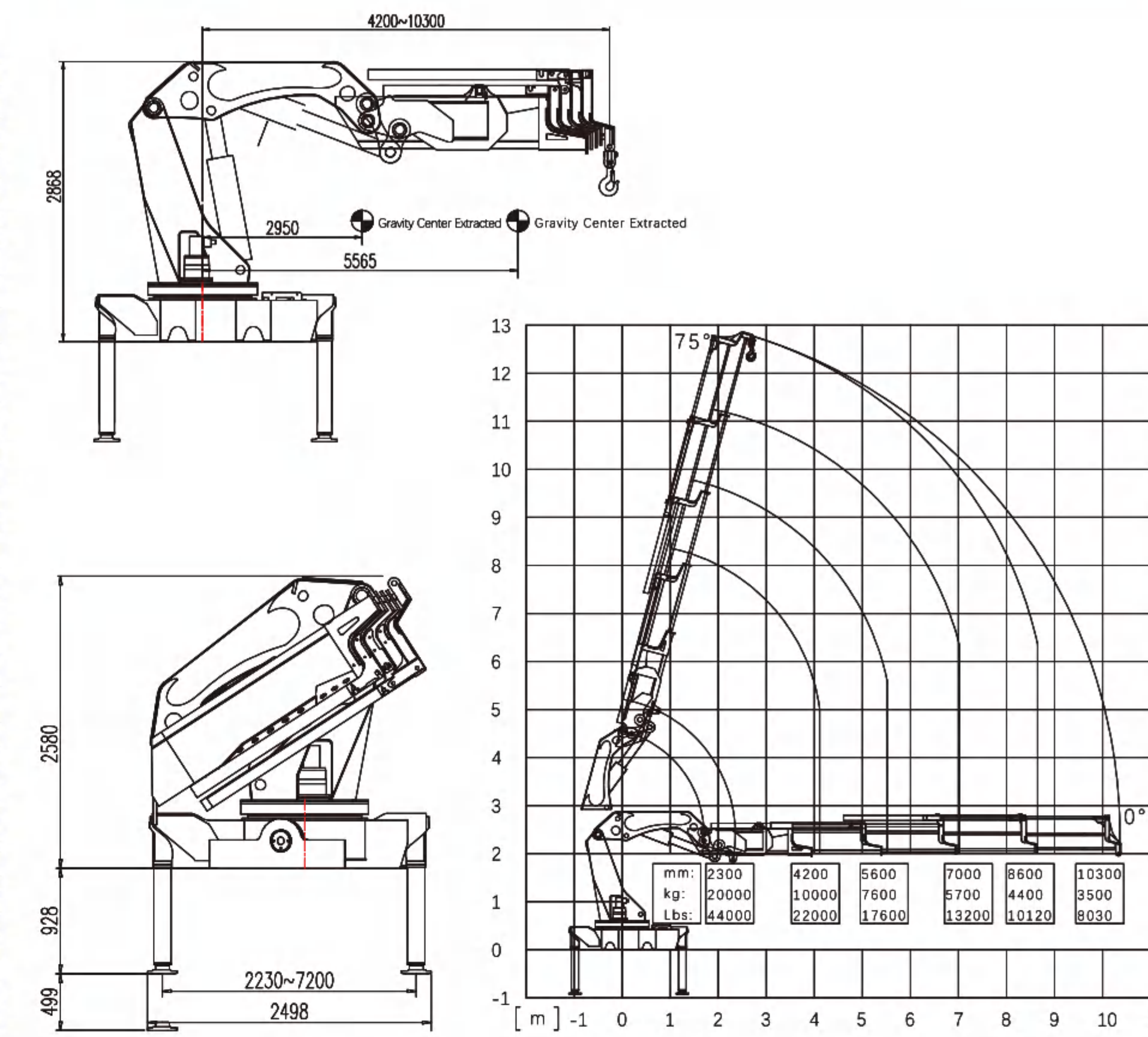
项目	Item	单位 Unit	TC5K3	TC5K4	TC6.3K3	TC6.3K4
最大起重质量	Max Lifting Capacity	Kg	5000	5000	6300	6300
最大起重力矩	Max Lifting Moment	Ton.m	10.5	10.5	13	13
推荐功率	Recommend Power	KW	22	22	22	22
液压系统流量	Hydraulic System Flow	L/Min	35	35	35	35
液压系统压力	Hydraulic System Pressure	MPa	28	28	28	28
油箱容积	Oil Tank Capacity	L	100	100	100	100
安装空间	Installation Space	mm	1050	1050	1050	1050
起重机自重	Self Weight	Kg	2150	2250	2200	2275
回转角度	Rotation Angle	°	400	400	400	400

项目	Item	单位 Unit	TC8K4	TC10K4	TC12K4	TC16K4
最大起重质量	Max Lifting Capacity	Kg	8000	10000	12000	16000
最大起重力矩	Max Lifting Moment	Ton.m	16	20	27	40
推荐功率	Recommend Power	KW	25	30	30	37
液压系统流量	Hydraulic System Flow	L/Min	40	40	55	63
液压系统压力	Hydraulic System Pressure	MPa	28	28	28	30
油箱容积	Oil Tank Capacity	L	160	160	160	240
安装空间	Installation Space	mm	1150	1200	1400	1500
起重机自重	Self Weight	Kg	3050	3650	4600	5200
回转角度	Rotation Angle	°	360°全回转	360°全回转	360°全回转	360°全回转

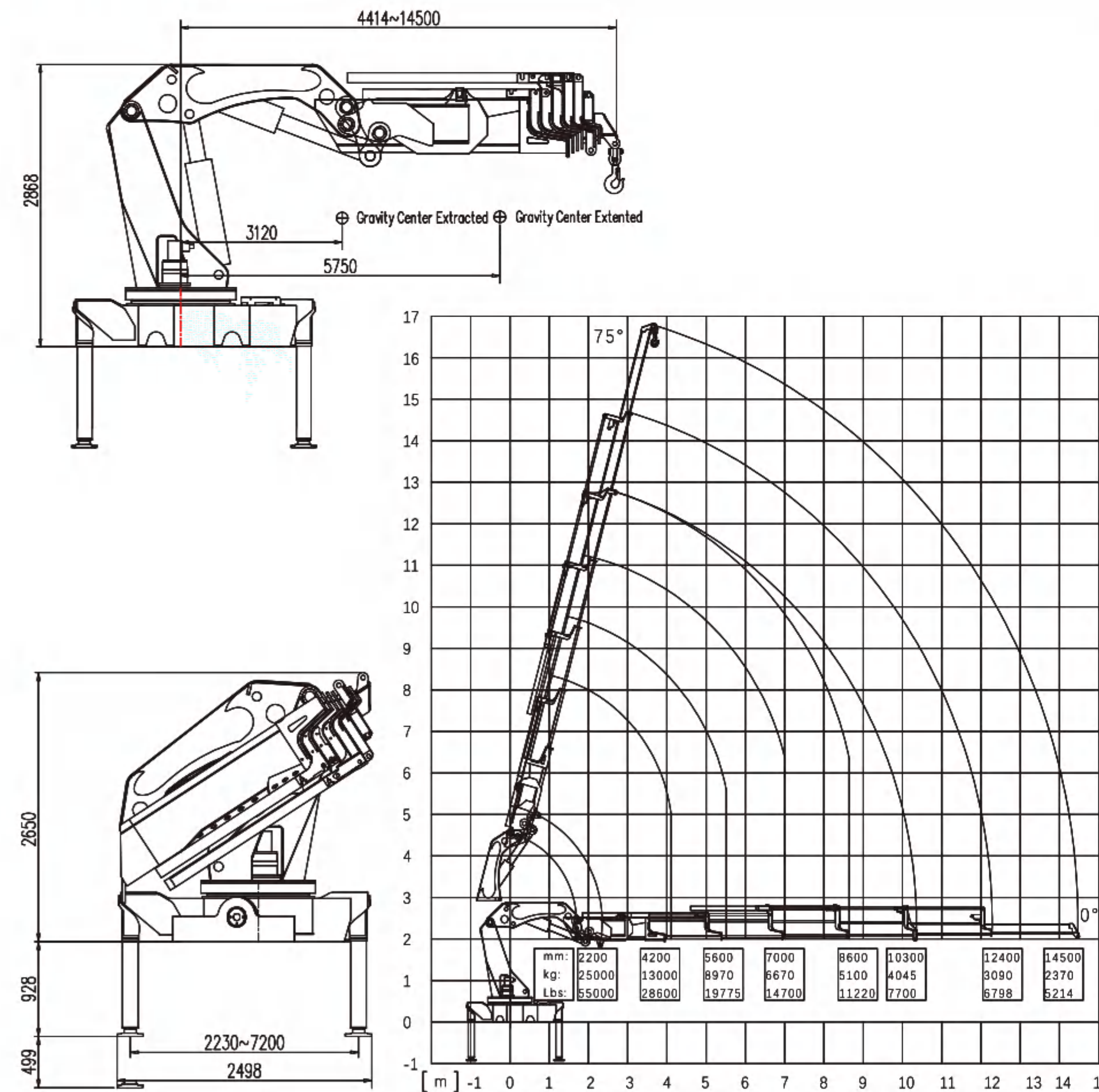
TC16K5



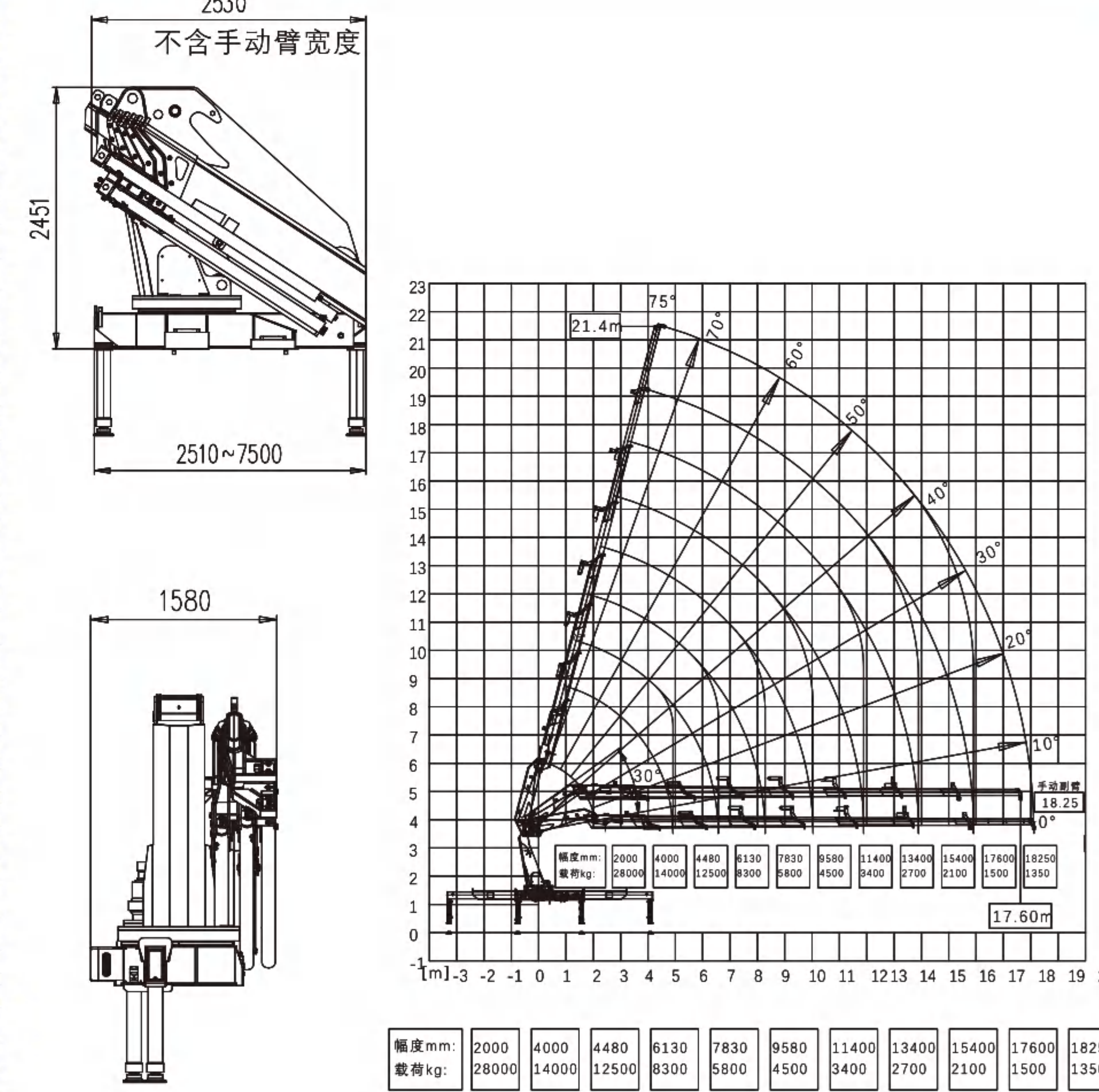
TC20K5



TC25K7

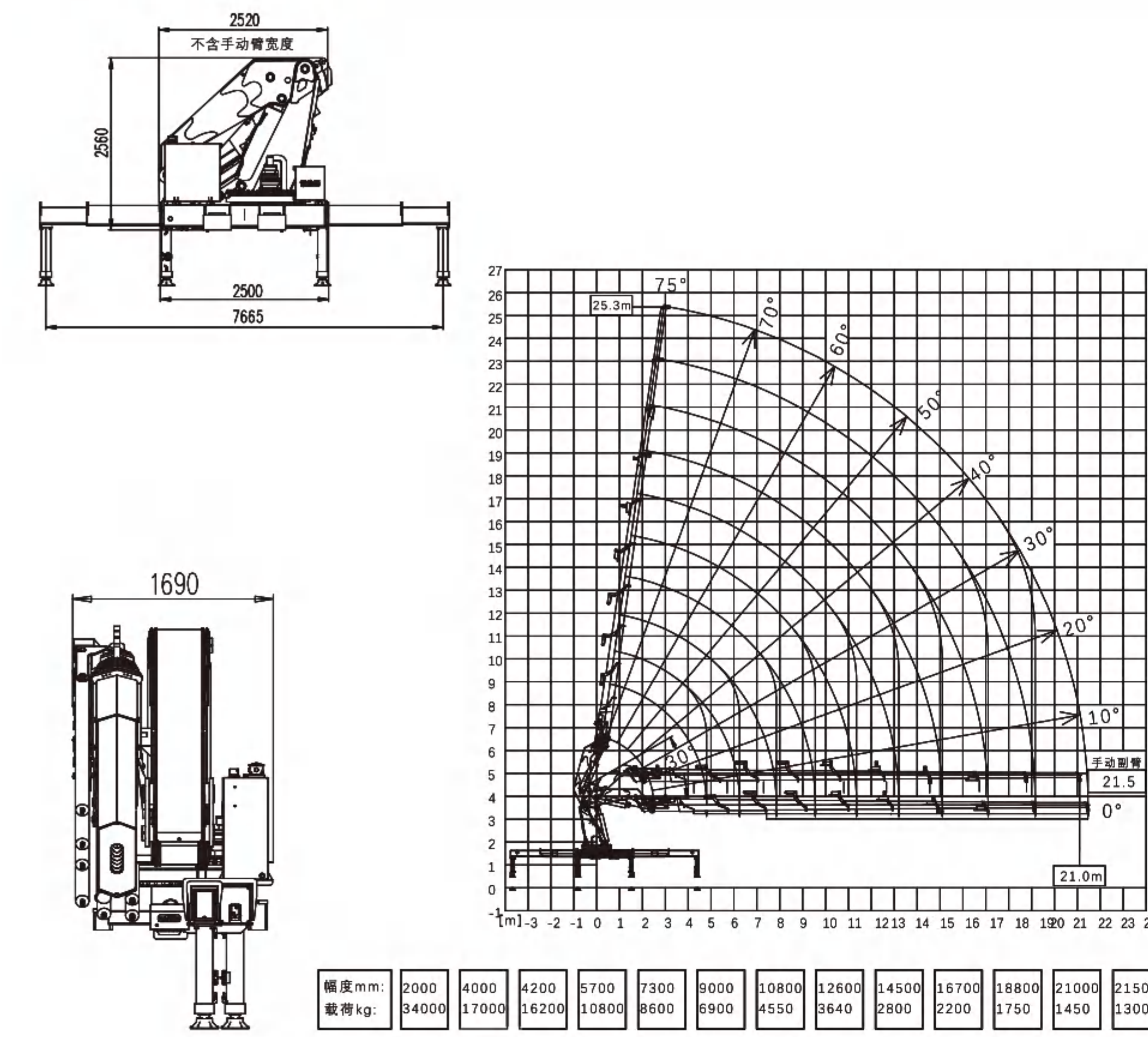


TC28K7+1

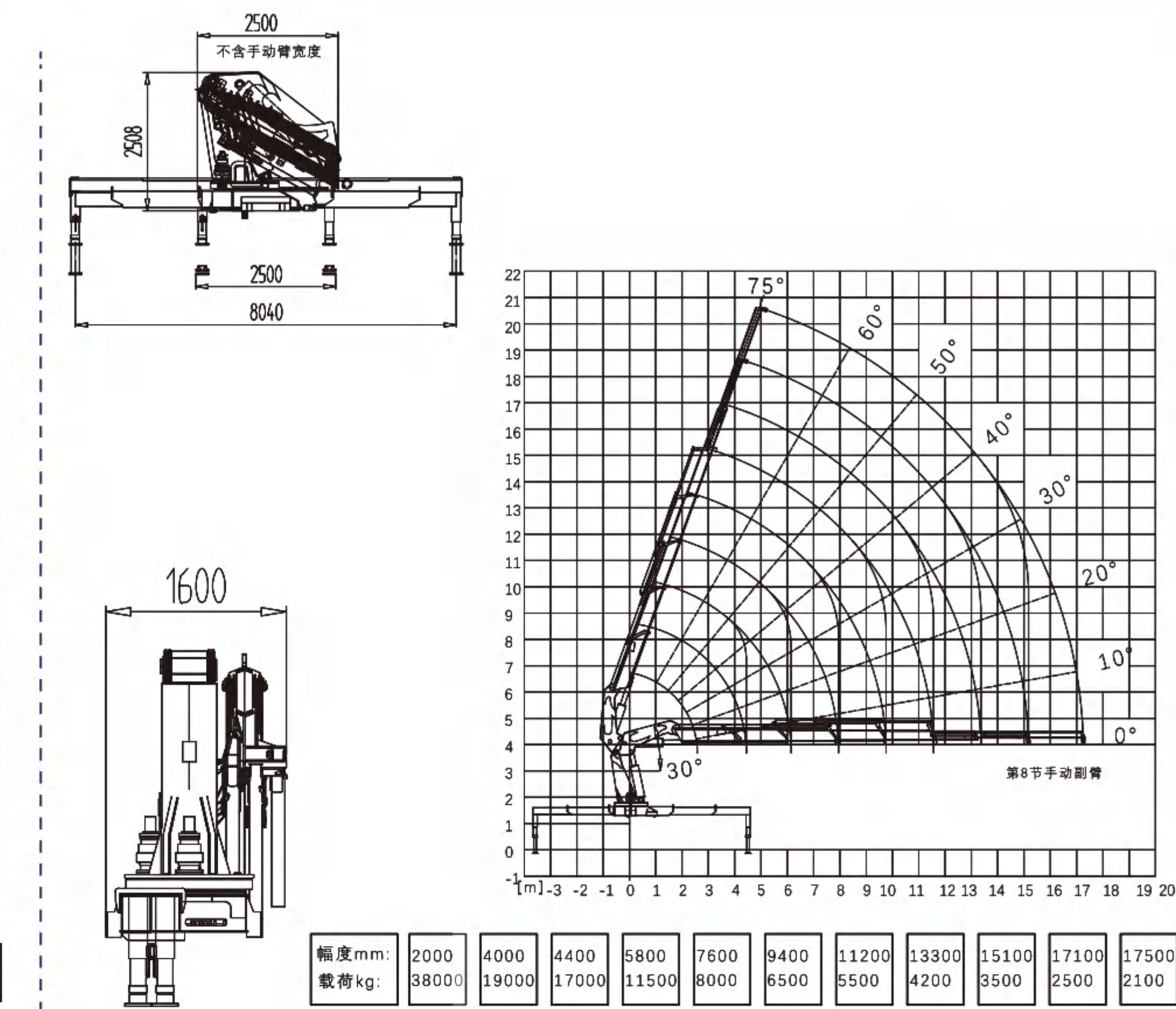


项目	Item	单位 Unit	TC16K5	TC20K5	TC25K7	TC28K7+1
最大起重质量	Max Lifting Capacity	Kg	16000	20000	25000	28000
最大起重力矩	Max Lifting Moment	Ton.m	40	46	56	56
推荐功率	Recommend Power	KW	37	37	50	50
液压系统流量	Hydraulic System Flow	L/Min	63	63	80	80
液压系统压力	Hydraulic System Pressure	MPa	30	30	31.5	30
油箱容积	Oil Tank Capacity	L	240	240	240	250
安装空间	Installation Space	mm	1500	1500	1500	1650
起重机自重	Self Weight	Kg	5360	6300	7850	7000
回转角度	Rotation Angle	°	360°全回转	360°全回转	360°全回转	360°全回转

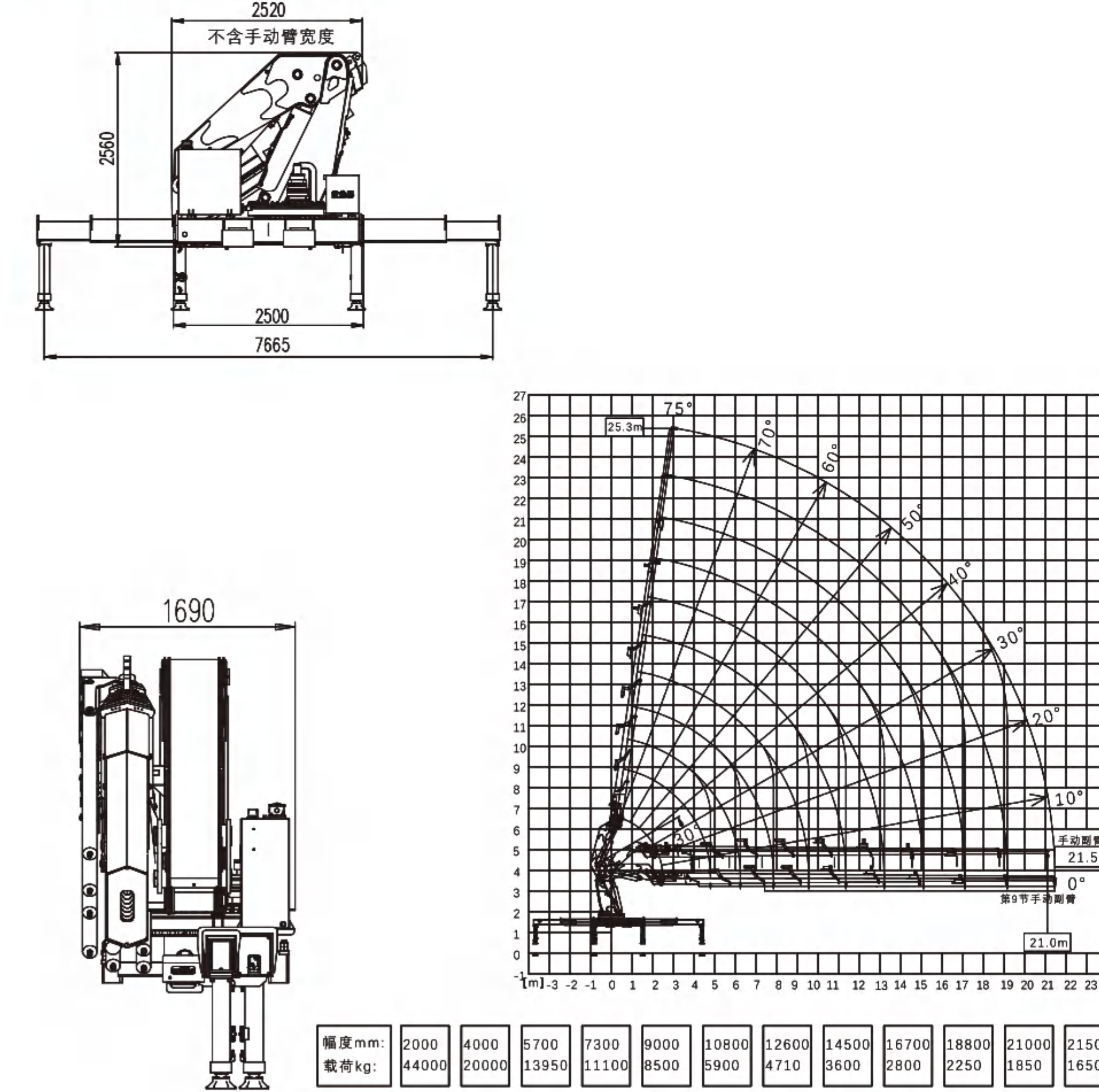
TC34K9+1



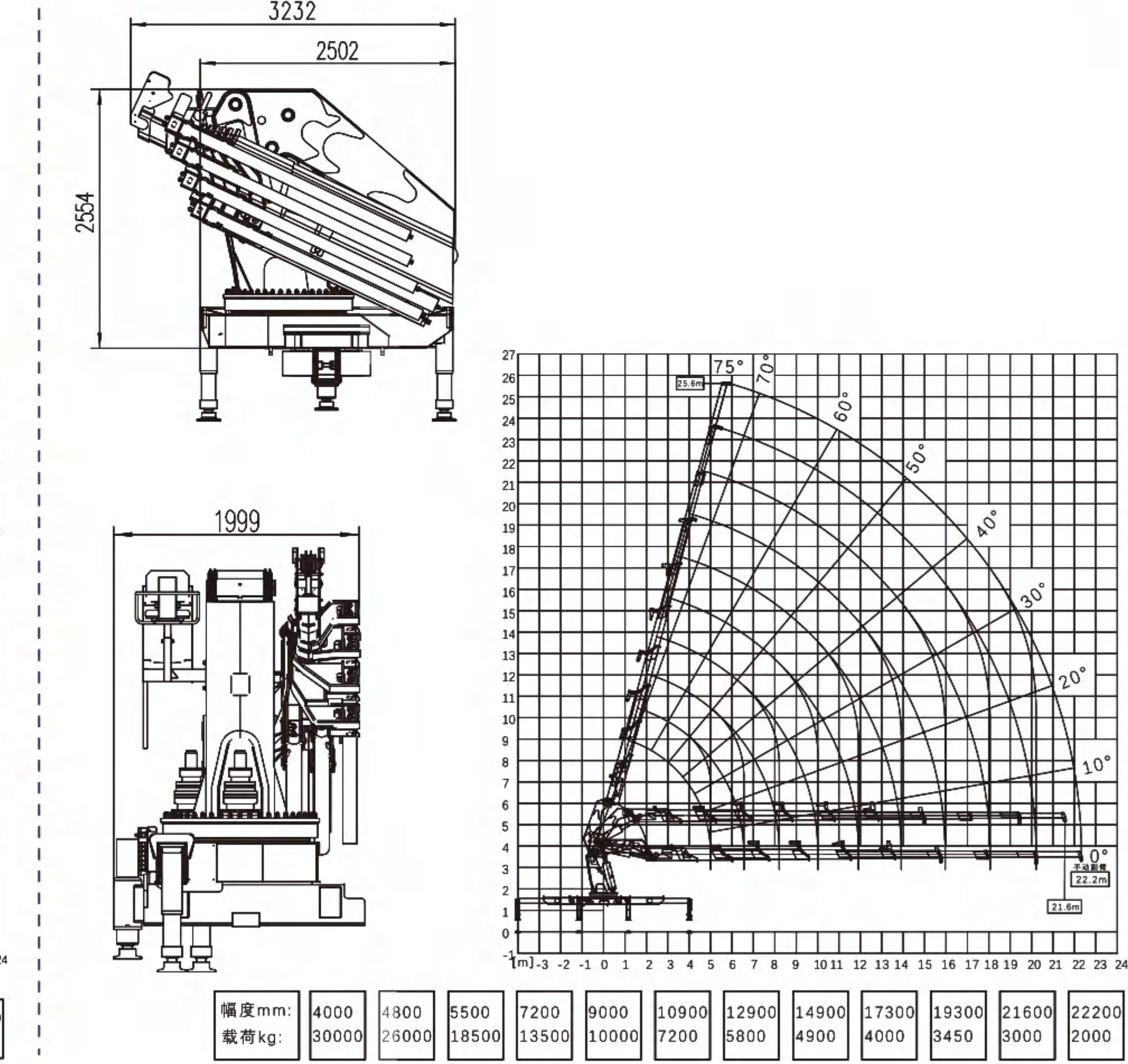
TC38K7+1



TC44K9+1

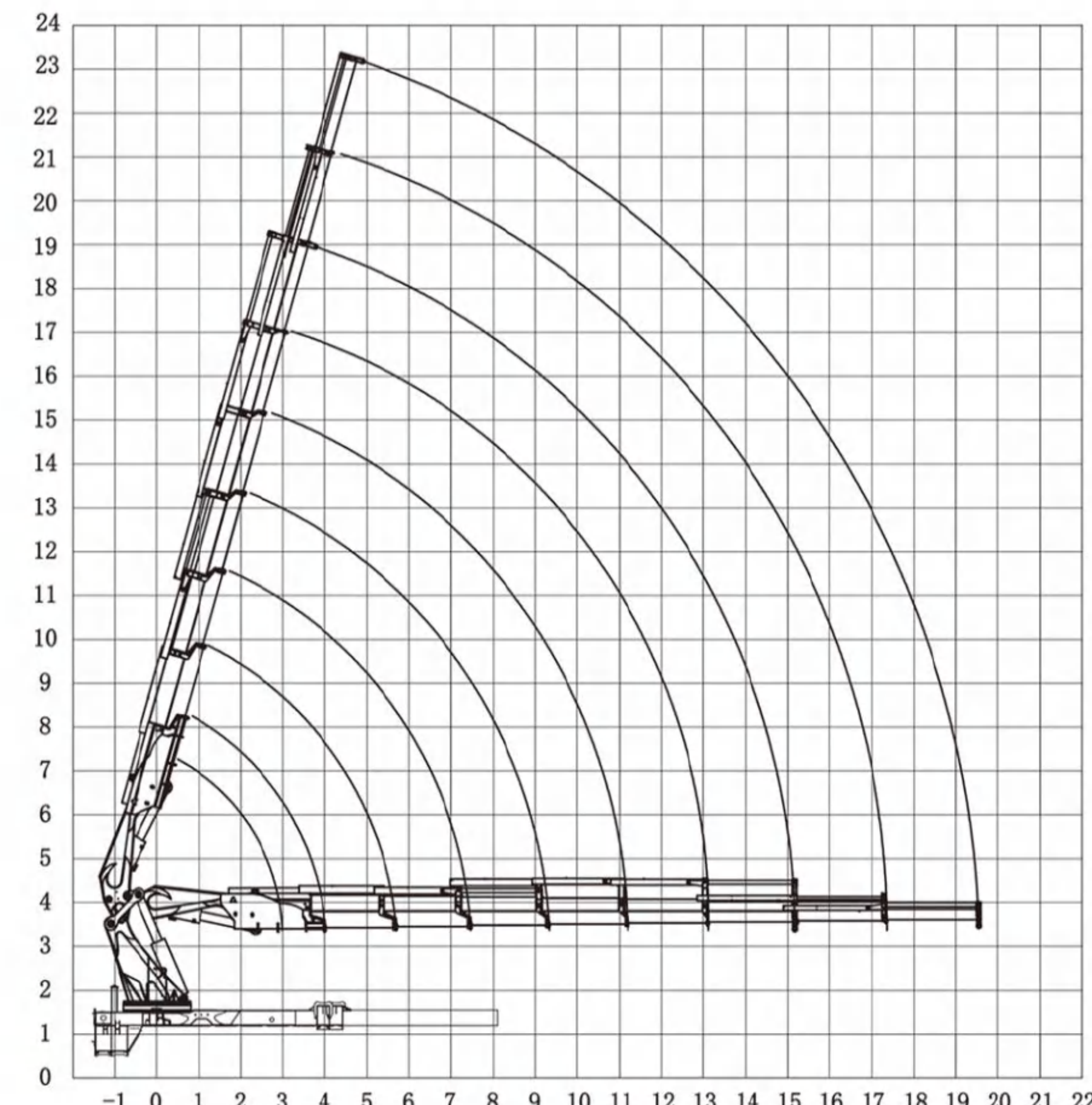


TC60K8+1

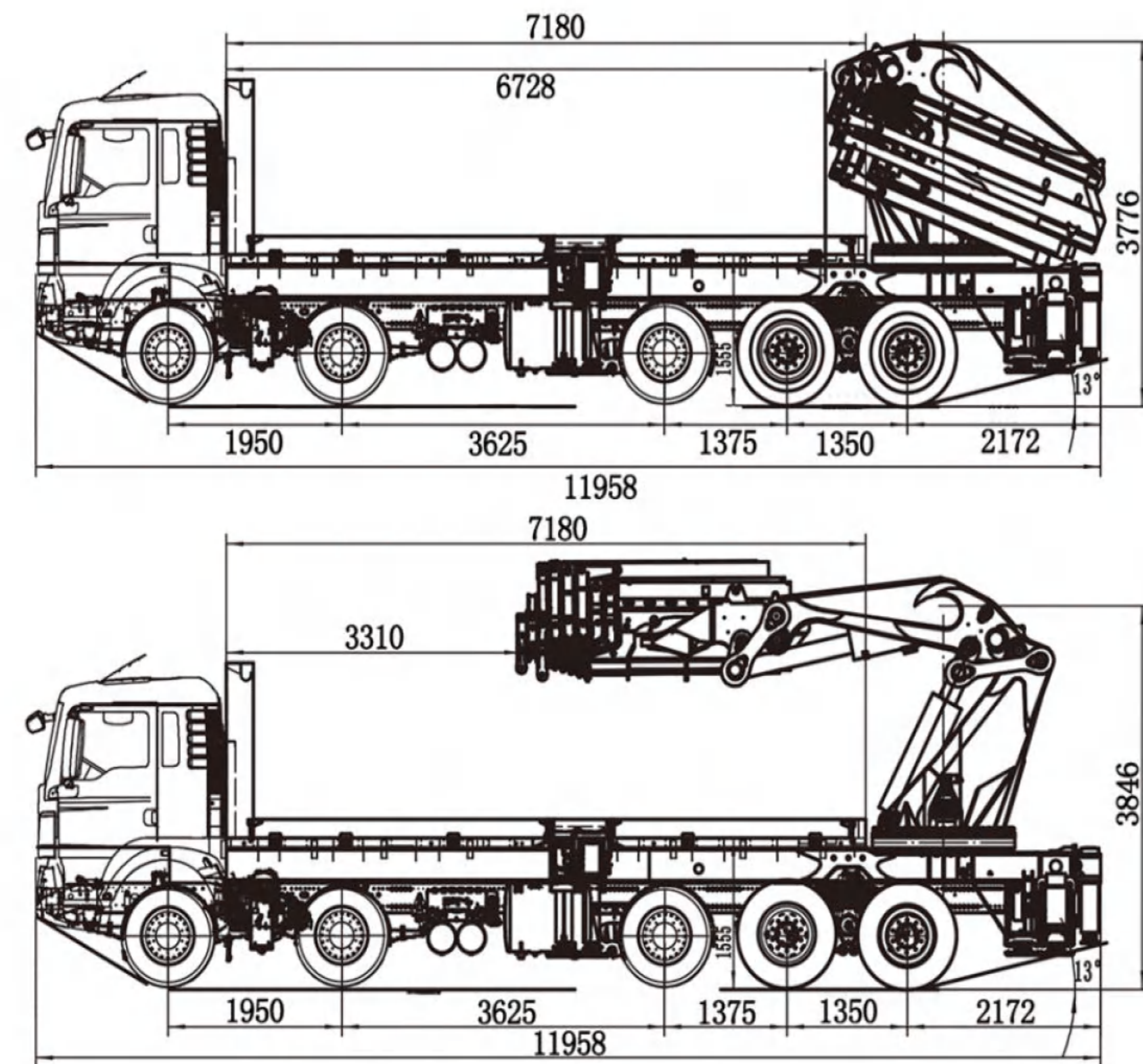


项目	Item	单位 Unit	TC34K9+1	TC38K7+1	TC44K9+1	TC60K8+1
最大起重质量	Max Lifting Capacity	Kg	34000	38000	44000	60000
最大起重力矩	Max Lifting Moment	Ton.m	68	76	88	120
液压系统流量	Hydraulic System Flow	L/Min	80	80	80	80
液压系统压力	Hydraulic System Pressure	MPa	30	30	30	35
起重机自重	Self Weight	Kg	8300	8200	9000	11000
回转角度	Rotation Angle	°	360°全回转	360°全回转	360°全回转	360°全回转

TC80K9



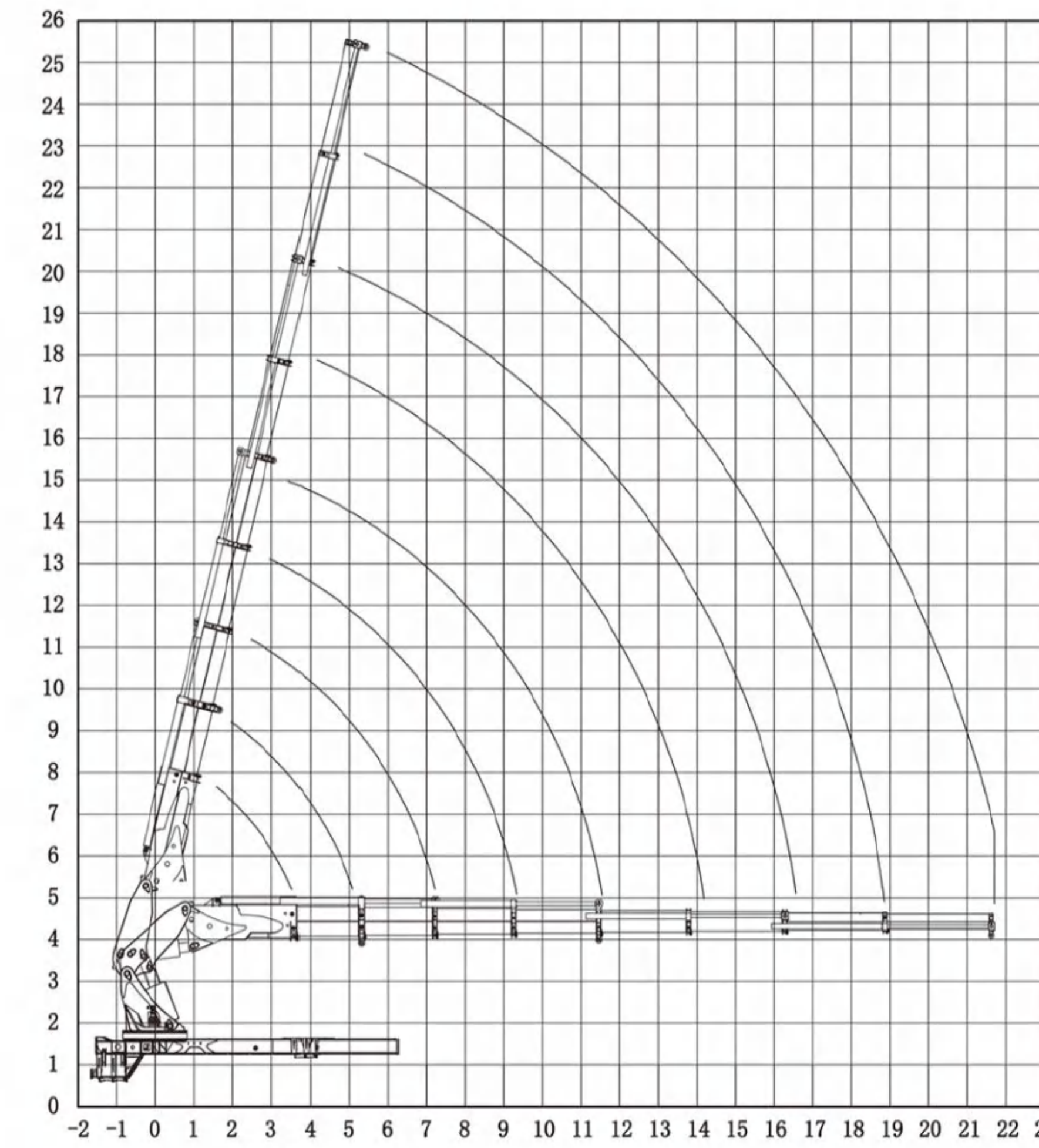
SK2800.8	m	3.00	4.00	5.60	7.30	9.00	10.80	12.70	14.90	17.00	19.40
	kg	8000	6200	4200	2950	2250	1850	1520	1250	1000	780
SK2800.9	m	3.07	4.07	5.67	7.37	9.07	10.87	12.77	14.97	17.07	19.47
	kg	7925	6065	4182	2892	2233	1827	1494	1223	980	754
											21.39
											6818



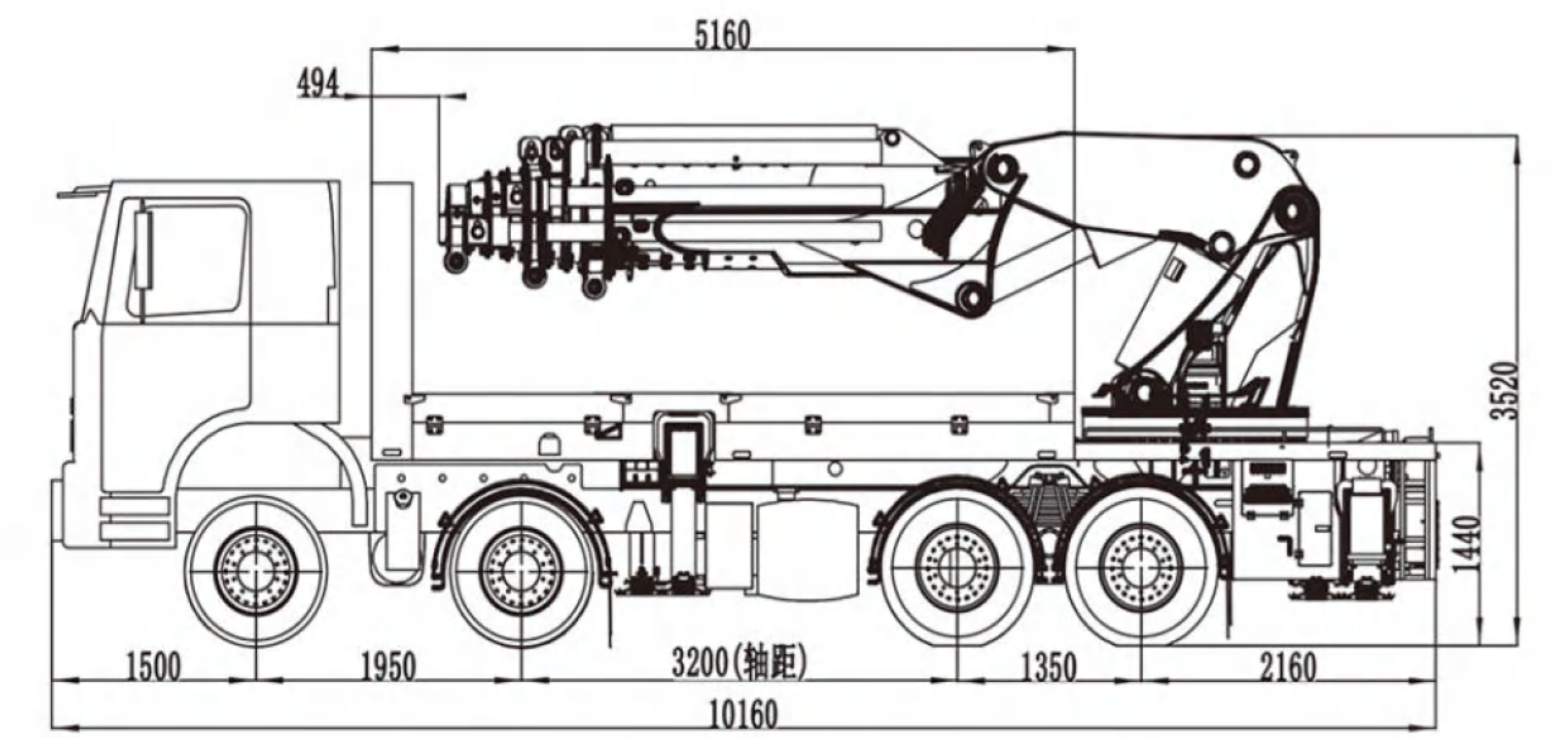
Technical Data

	Lifting capacity (t.m)	Outrigger Extension (mm)	Rotation	System pressure (MPa)	Pump capacity (cc/r)	Oil tank capacity (L)	Crane weight (kg)
SK2800.8	272.4	5740	∞	33	115	480	26740 (±5%)
SK2800.9	271.7	5740	∞	33	115	480	26915 (±5%)

TC100K9



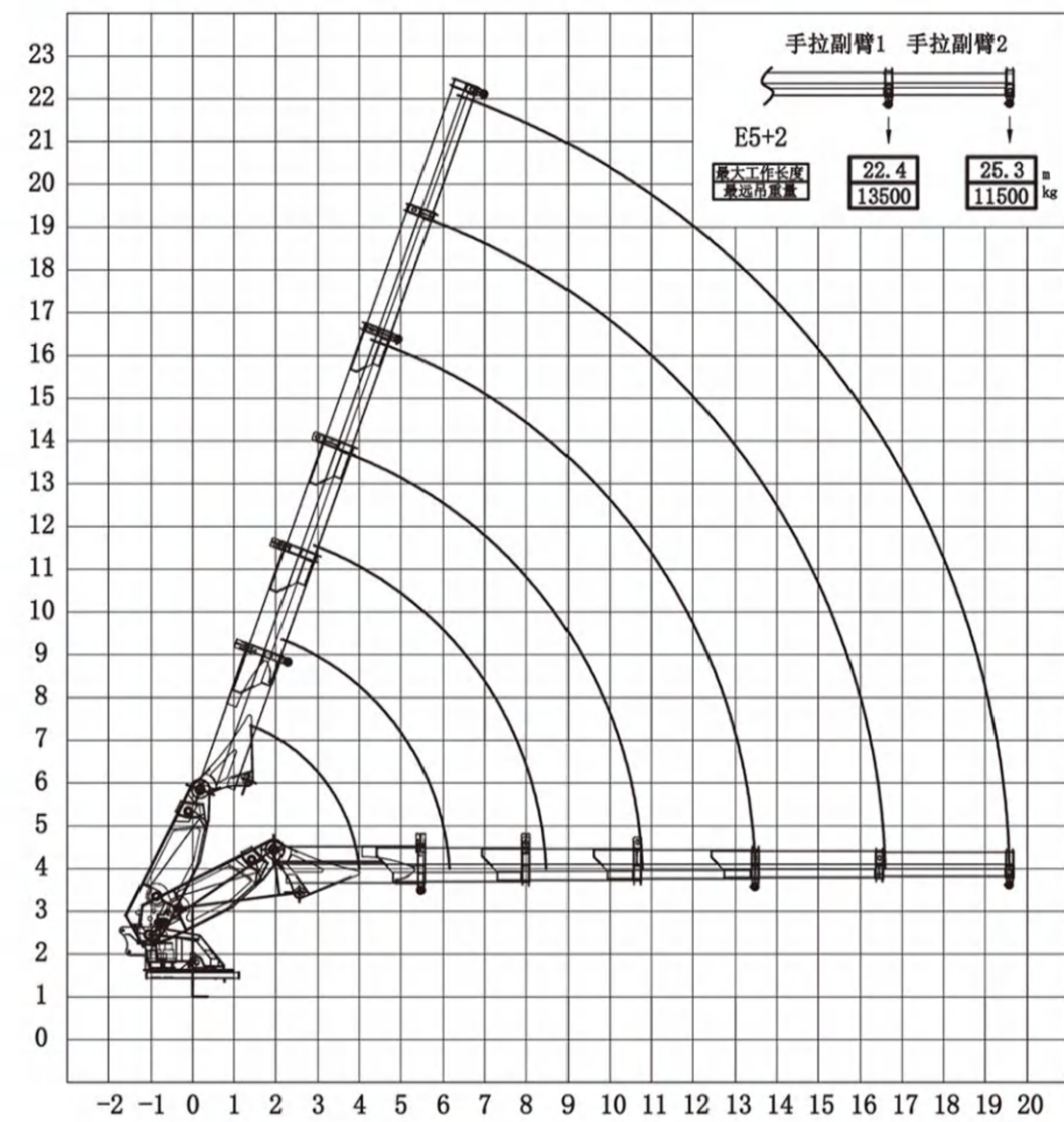
SK3200.8	m	3.77	4.21	5.32	7.51	9.41	11.46	14.24	16.57	19.04	22.35
	kg	7281	6630	5250	3430	2600	2051	1592	1334	1141	710



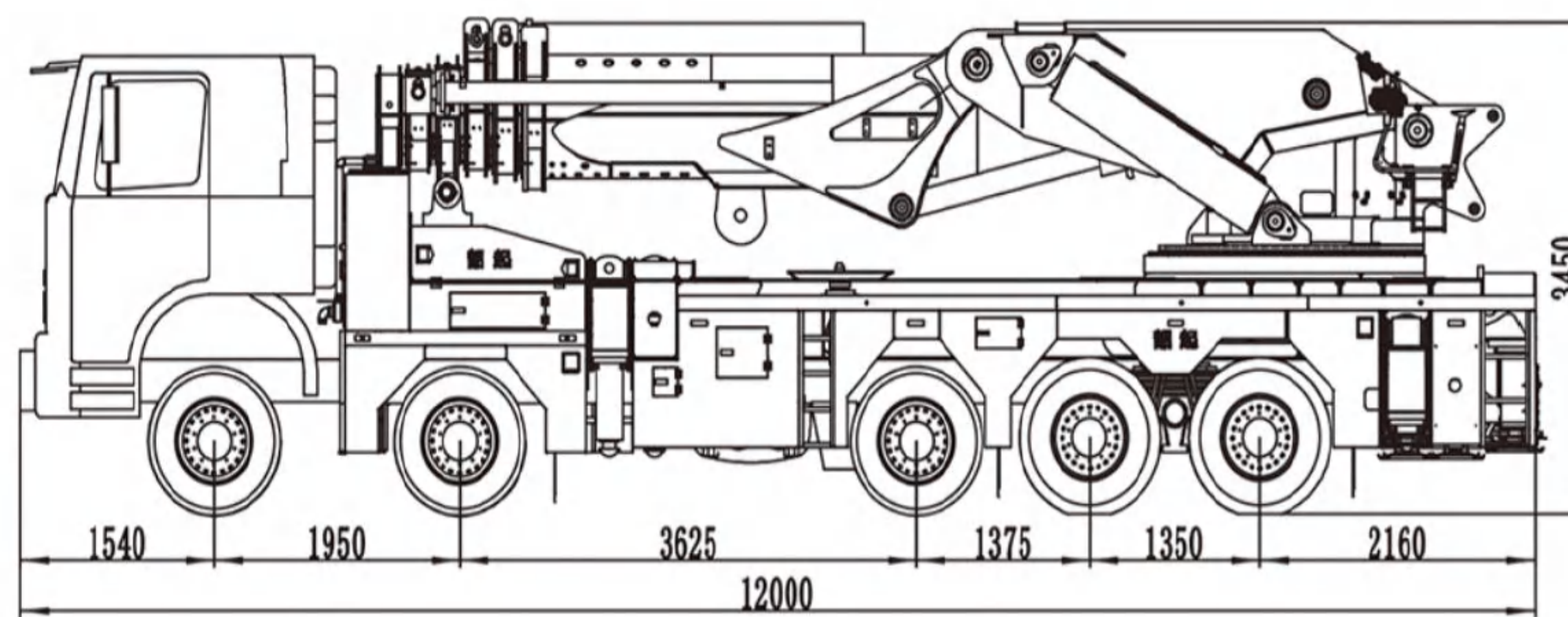
Technical Data

	Lifting capacity (t.m)	Outrigger Extension (mm)	Rotation	System pressure (MPa)	Pump capacity (cc/r)	Oil tank capacity (L)	Crane weight (kg)
SK3200.8	308.3	5740	∞	33	108	430	24240 (±5%)

TC130K6



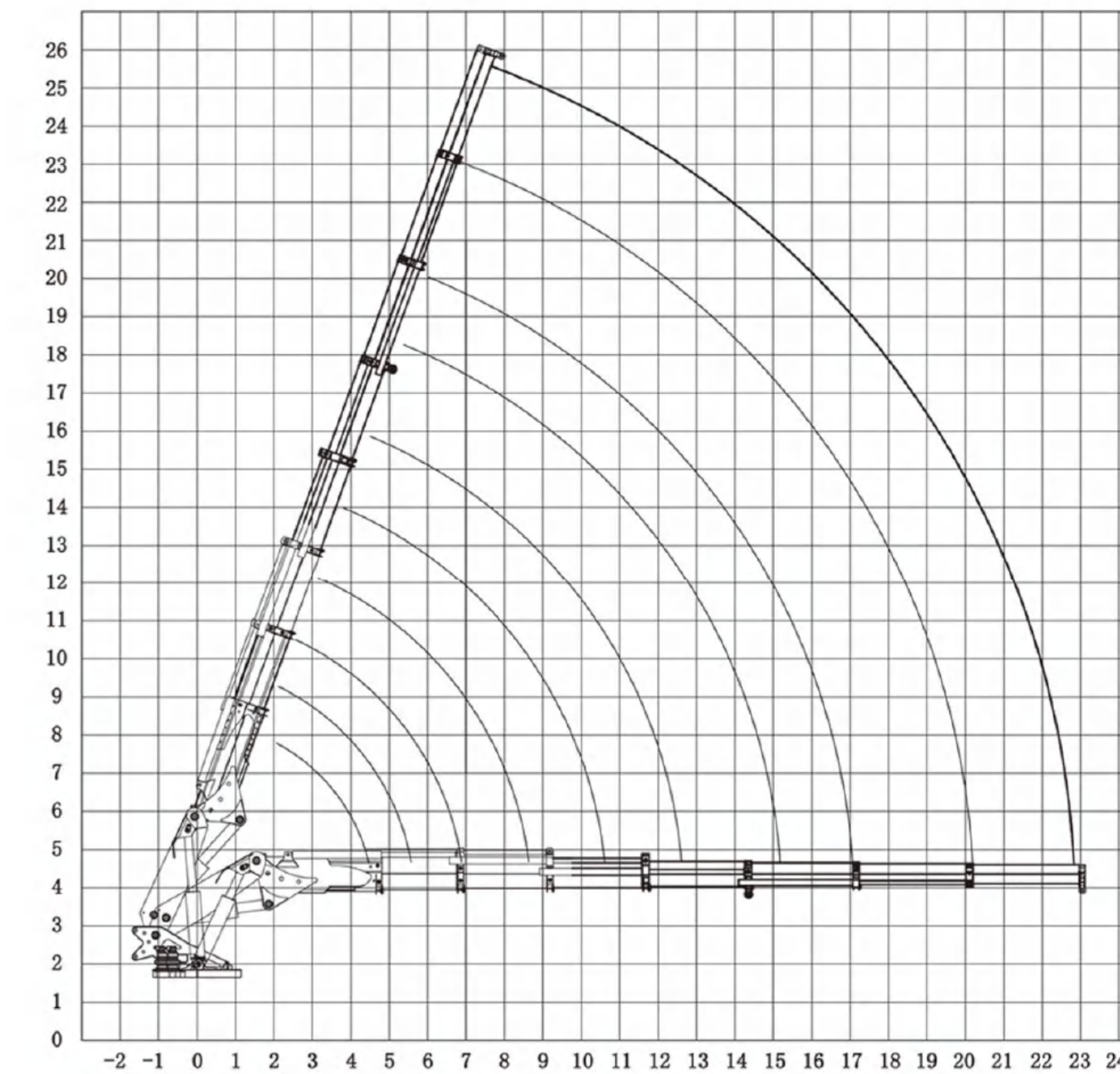
SK4600.5	m	3.00	4.00	5.00	6.10	8.30	10.80	13.40	16.60	19.50
	kg	13000	10500	8400	7000	4800	3600	2900	2250	1800



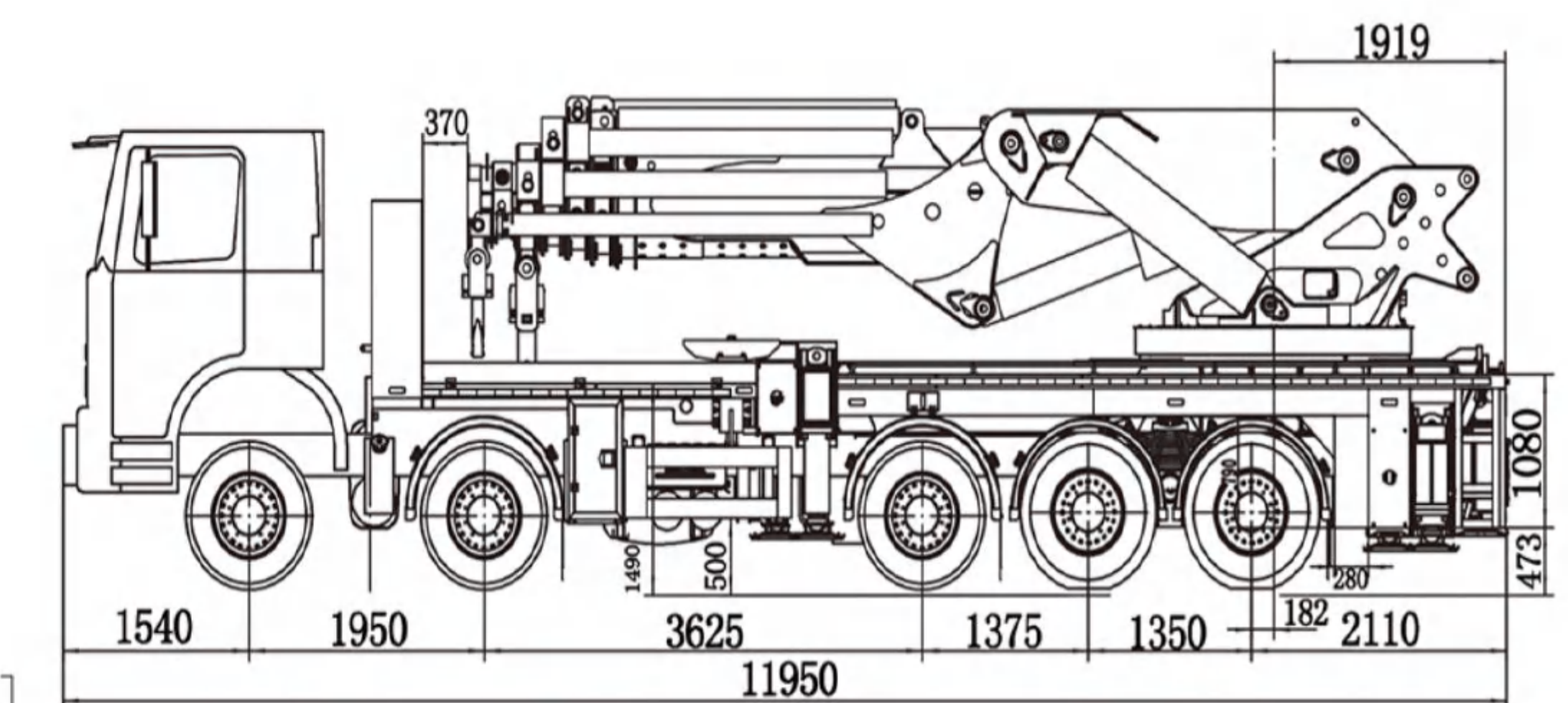
Technical Data

	Lifting capacity (t.m)	Outrigger Extension (mm)	Rotation	System pressure (MPa)	Pump capacity (cc/r)	Oil tank capacity (L)	Crane weight (kg)
SK4600.5	463.6	5600	∞	30	130	900	33160 (±5%)

TC176K8



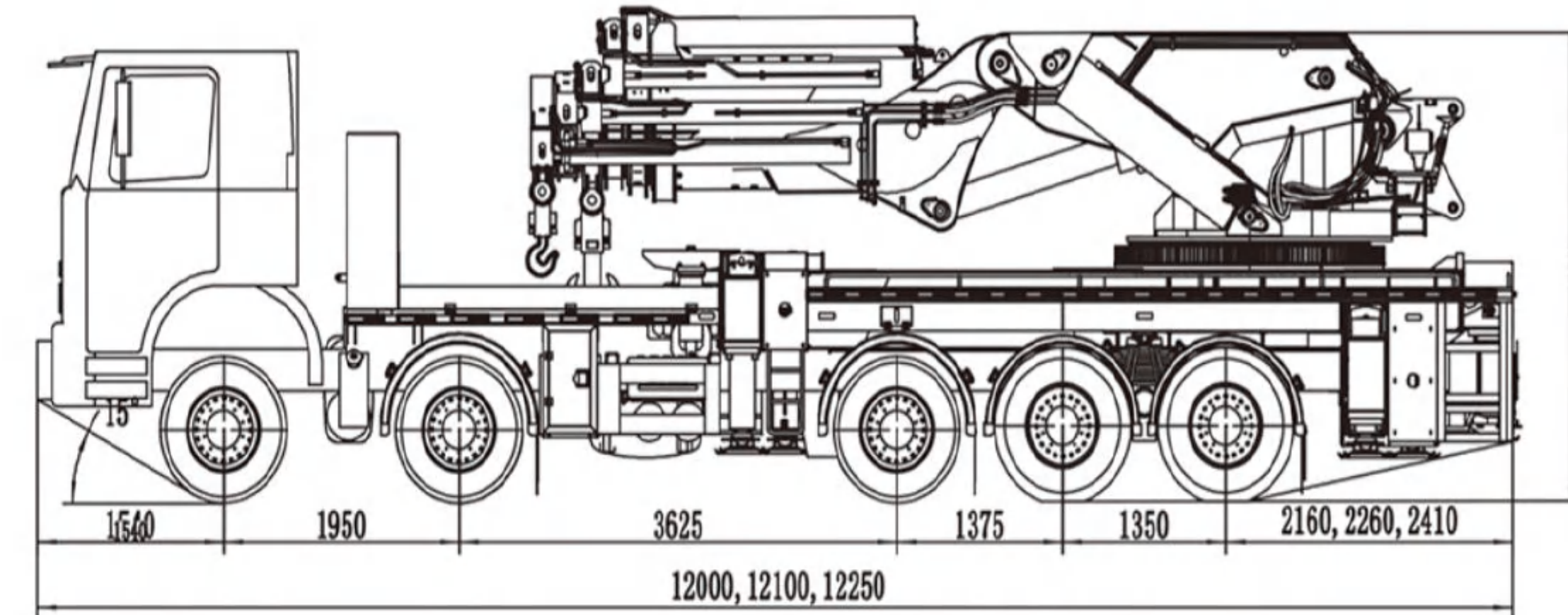
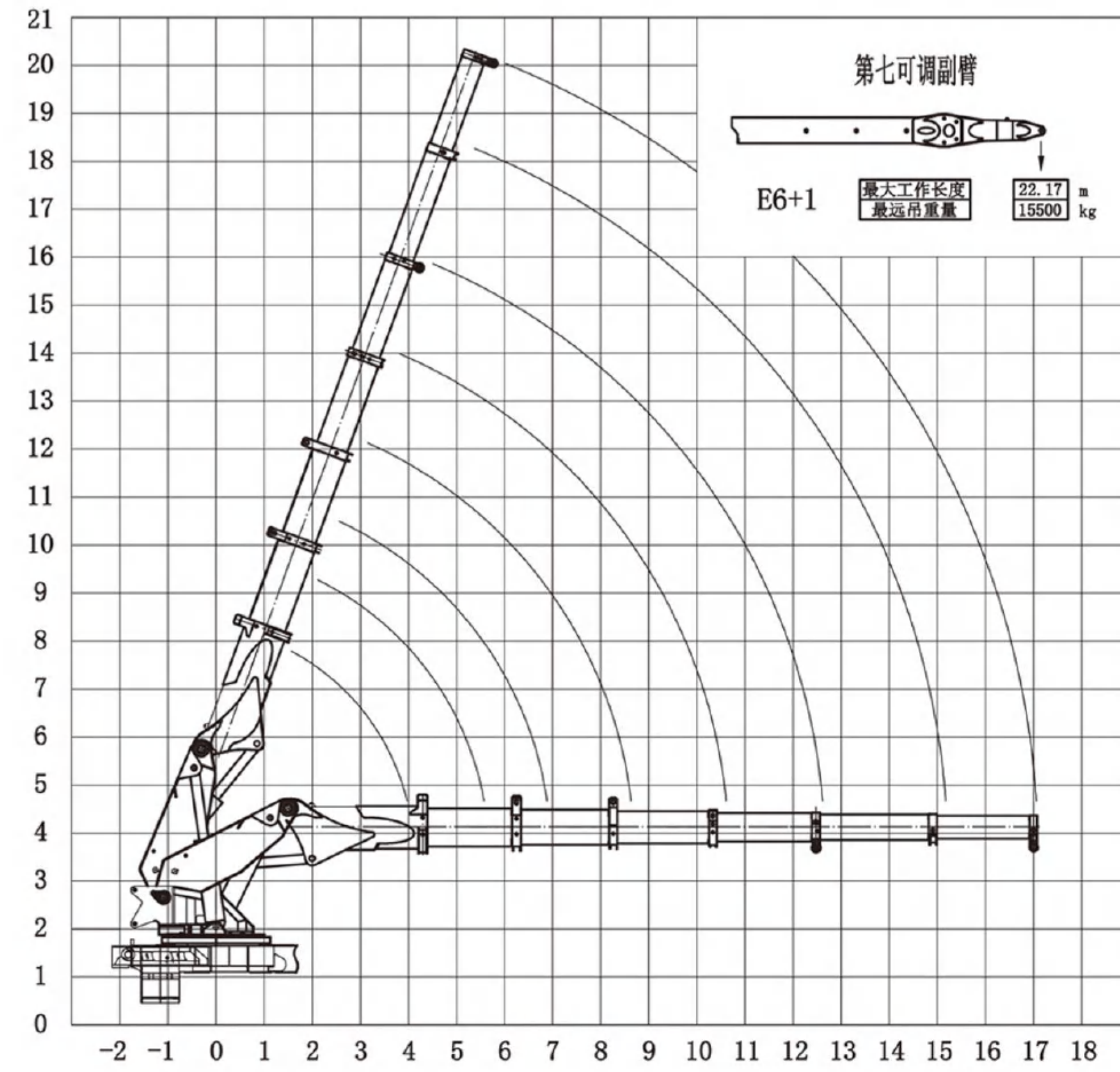
SK6500.7	m	3.5	5.55	7.47	9.59	11.89	14.35	17.44	20.19	23.09	23.76
	kg	11120	10181	6600	4509	3654	3000	2454	2090	1812	1681



Technical Data

	Lifting capacity (t.m)	Outrigger Extension (mm)	Rotation	System pressure (MPa)	Pump capacity (cc/r)	Oil tank capacity (L)	Crane weight (kg)
SK6500.7	621.6	5600	∞	30	115	700	36200 (±5%)

TC200K7

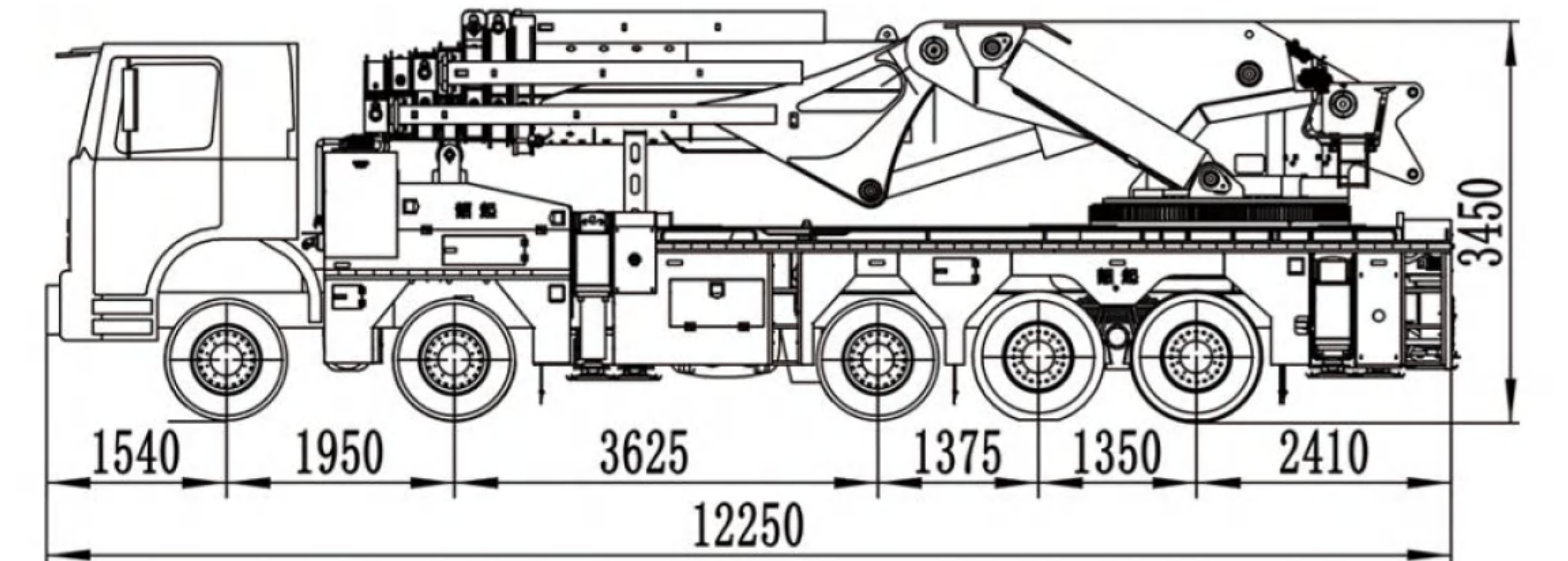
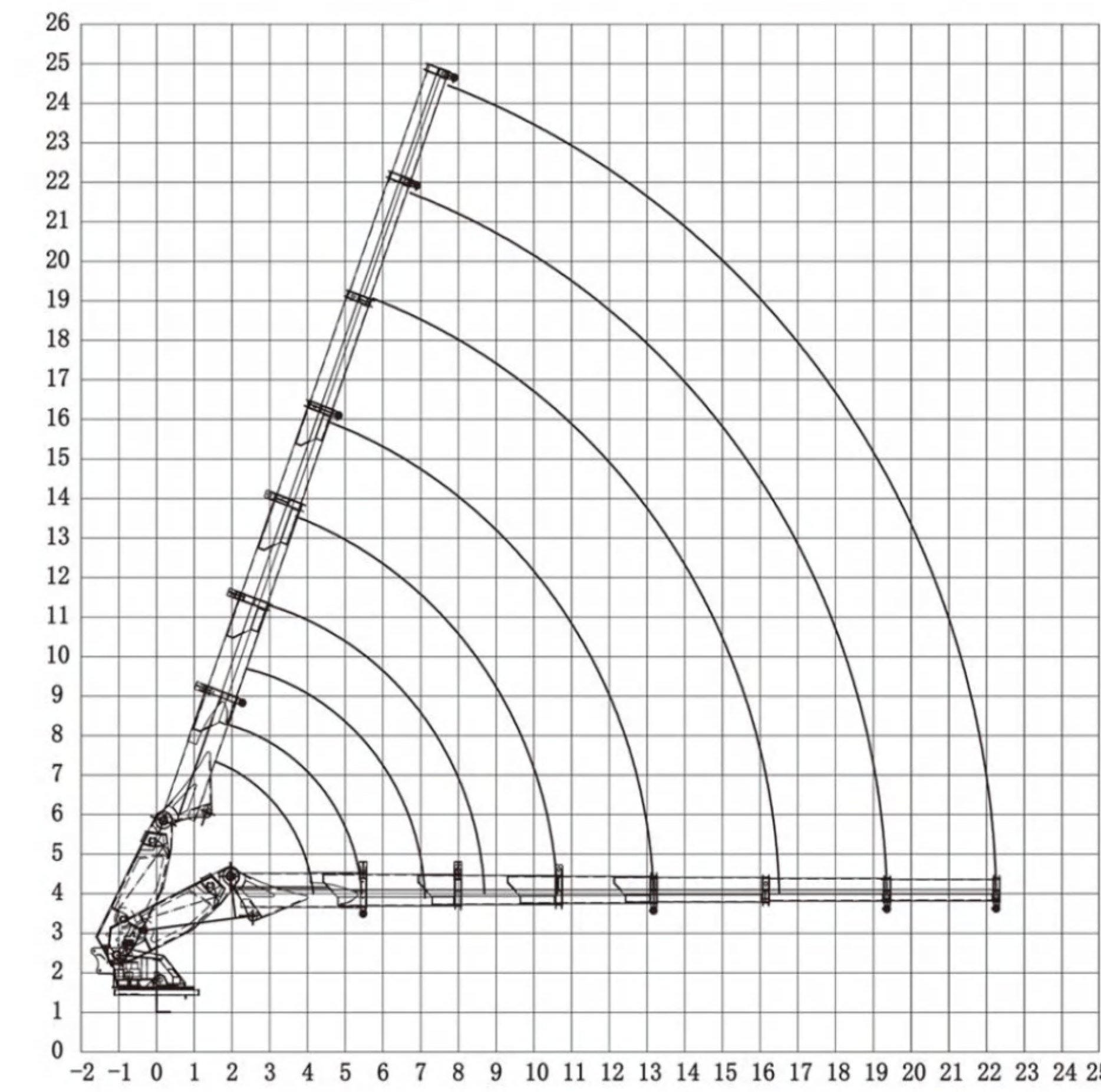


Technical Data

	Lifting capacity (t.m)	Outrigger Extension (mm)	Rotation	System pressure (MPa)	Pump capacity (cc/r)	Oil tank capacity (L)	Crane weight (kg)
SK6200.6	651.5	5600	∞	30	115	700	36520 (±5%)

SK6200.6	m	3.00	4.00	4.70	6.50	8.30	10.20	12.50	14.50	17.30
	kg	176407	126100	112600	76360	55090	42730	35000	29910	26360

TC220K7

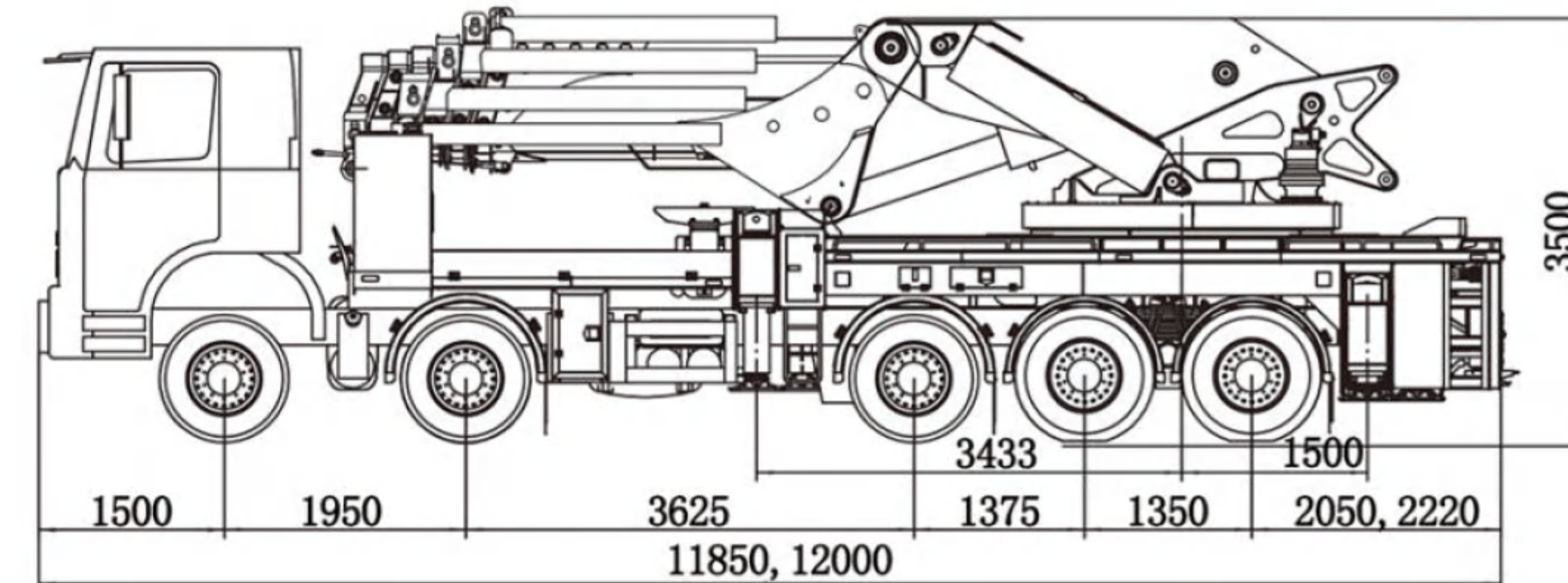
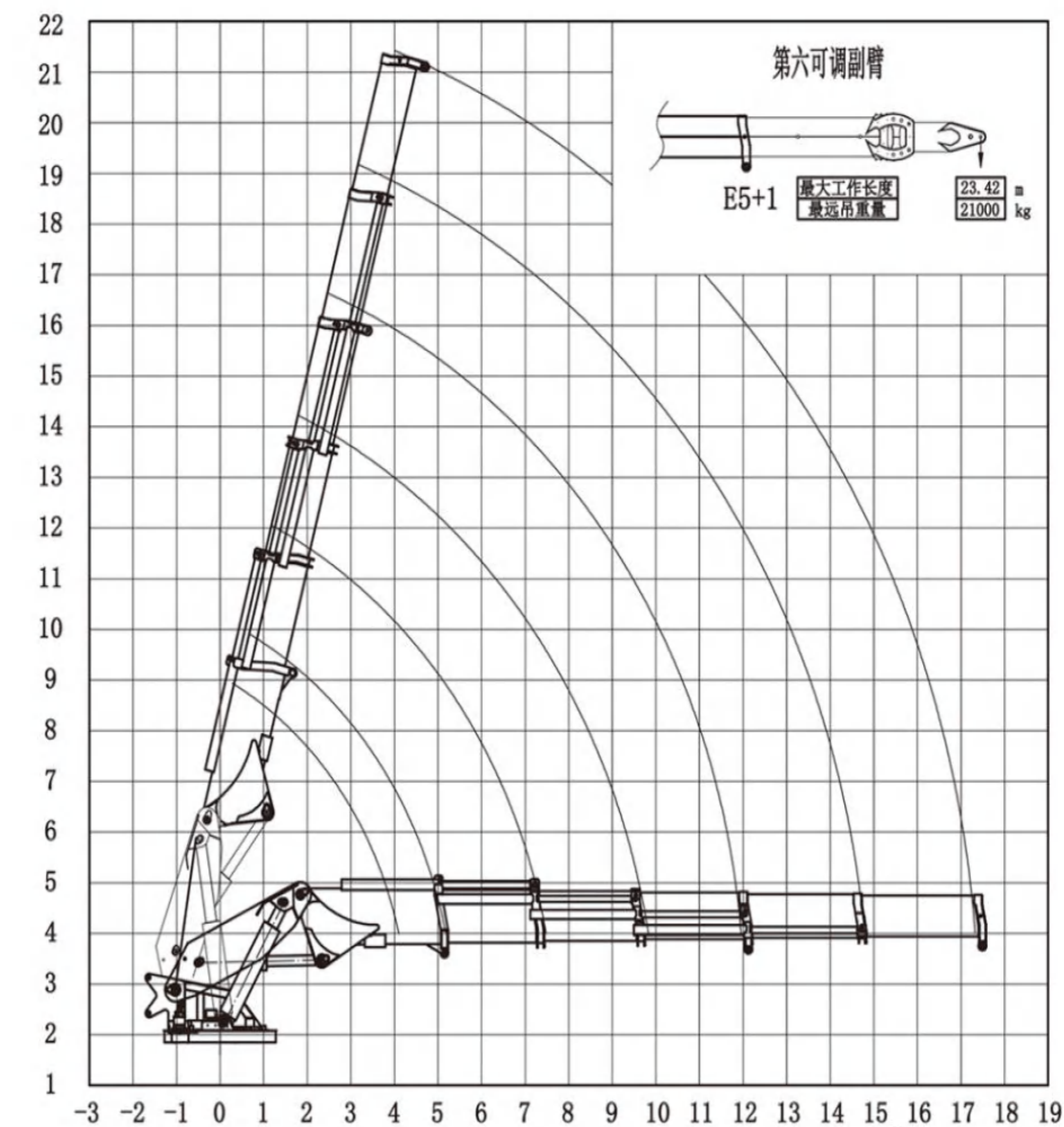


Technical Data

	Lifting capacity (t.m)	Outrigger Extension (mm)	Rotation	System pressure (MPa)	Pump capacity (cc/r)	Oil tank capacity (L)	Crane weight (kg)
SK6800.6	660	5600	∞	30	130	900	38020 (±5%)

SK6800.6	m	3.0	4.0	5.0	6.0	8.2	10.6	13.2	16.5	19.4	22.8
	kg	190000	122700	103600	96400	60600	42400	31800	24000	19700	13500

TC230K6

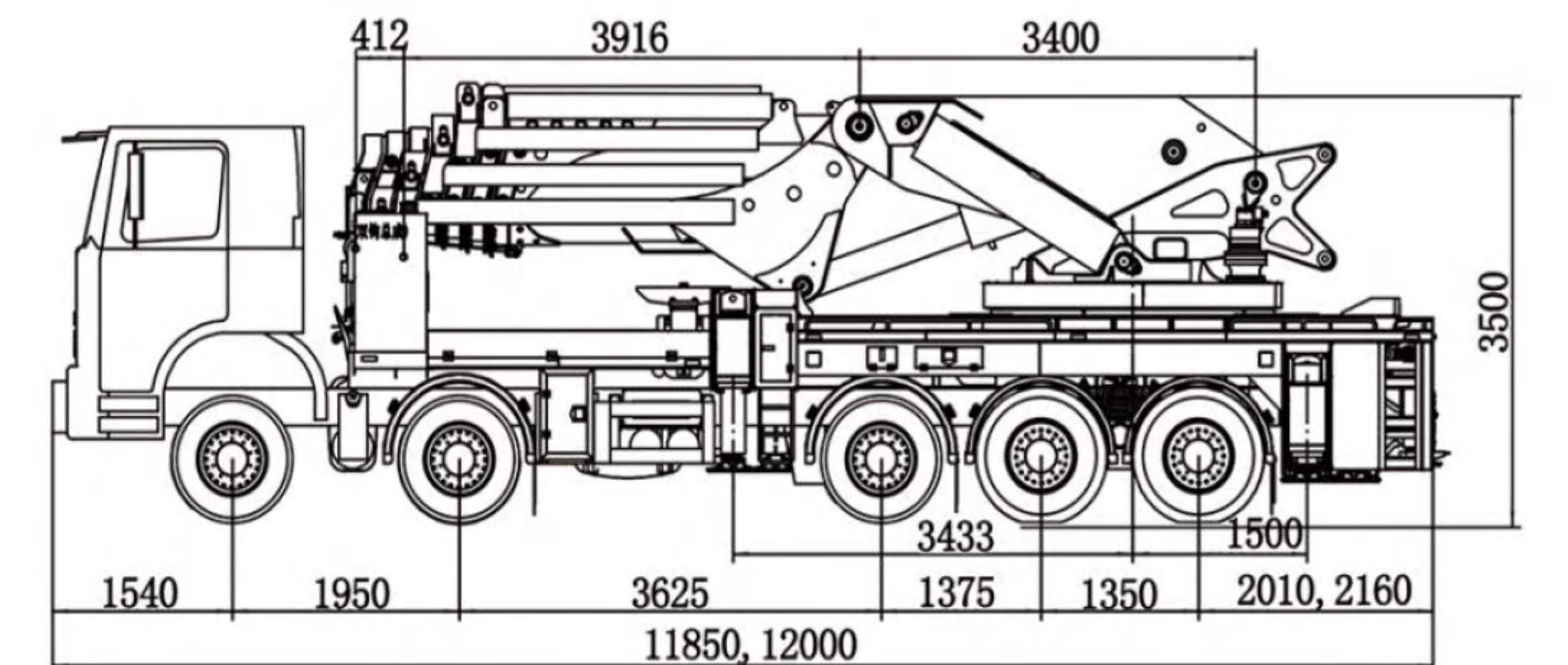
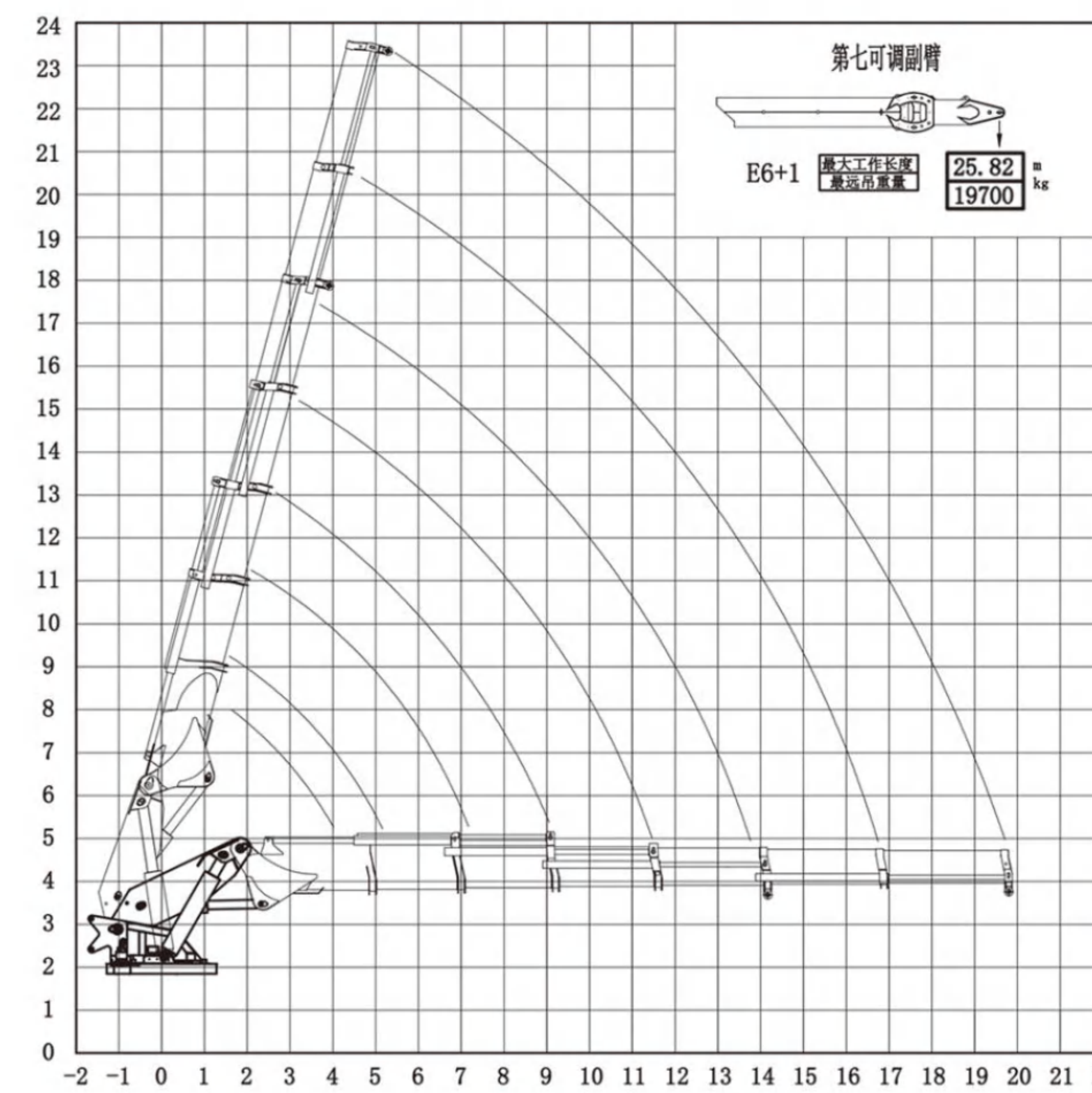


Technical Data

	Lifting capacity (t.m)	Outrigger Extension (mm)	Rotation	System pressure (MPa)	Pump capacity (cc/r)	Oil tank capacity (L)	Crane weight (kg)
SK8500.5	860.7	5600	∞	33	130	900	39760 (±5%)

SK8500.5	m	3.00	4.70	5.70	7.70	9.80	12.10	14.90	18.00
	kg	230000	145600	137300	93600	67600	52000	40400	26400

TC280K7



Technical Data

	Lifting capacity (t.m)	Outrigger Extension (mm)	Rotation	System pressure (MPa)	Pump capacity (cc/r)	Oil tank capacity (L)	Crane weight (kg)
SK9500.6	912	5600	∞	31	130	900	43000 (±5%)

SK9500.6	m	3.00	4.70	5.70	7.57	9.57	11.75	14.10	17.02	20.30
	kg	280000	163636	145455	97273	72730	55636	44091	36360	25636

TELESCOPIC BOOM TRUCK MOUNTED CRANE 伸缩臂随车起重机

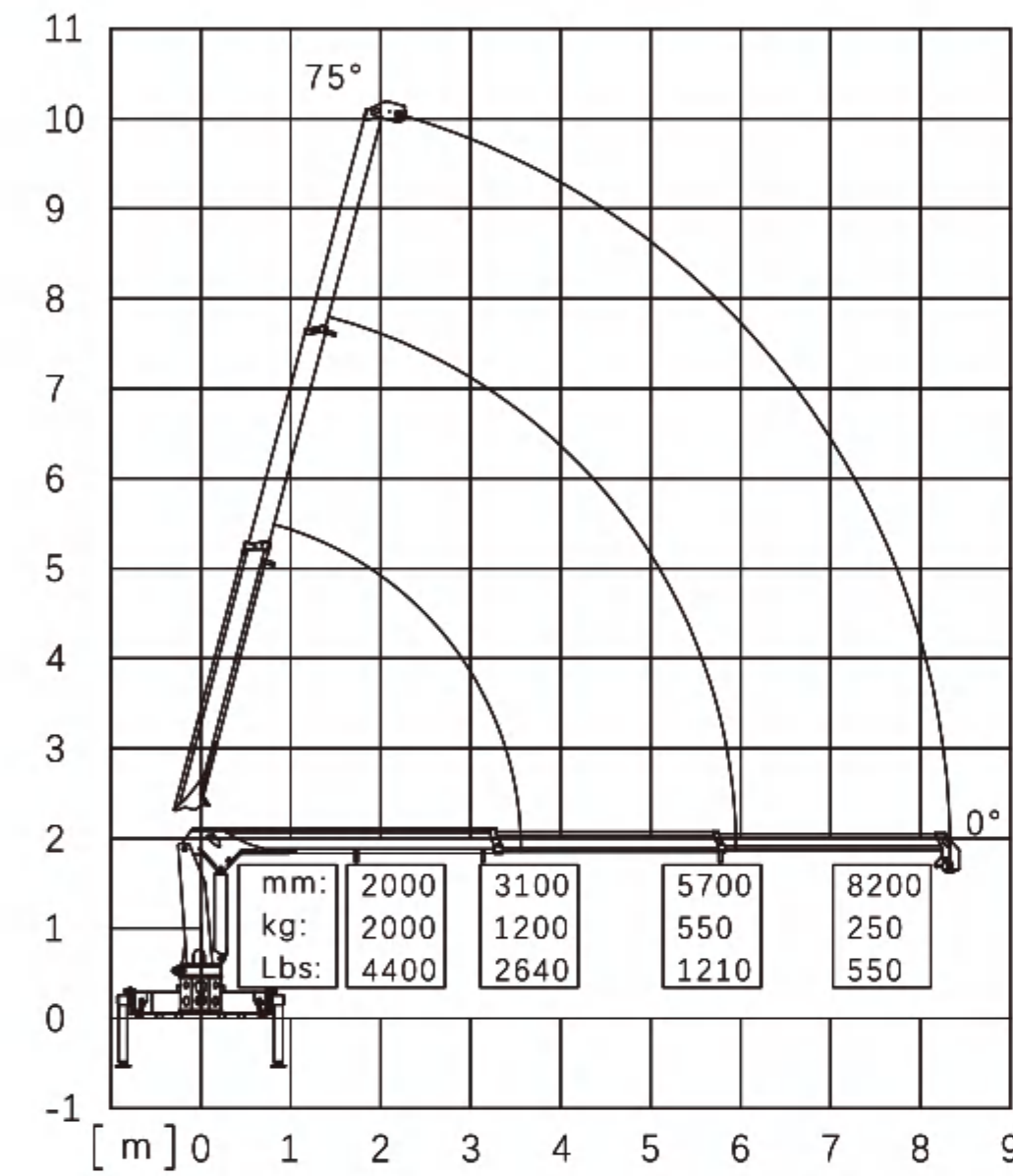
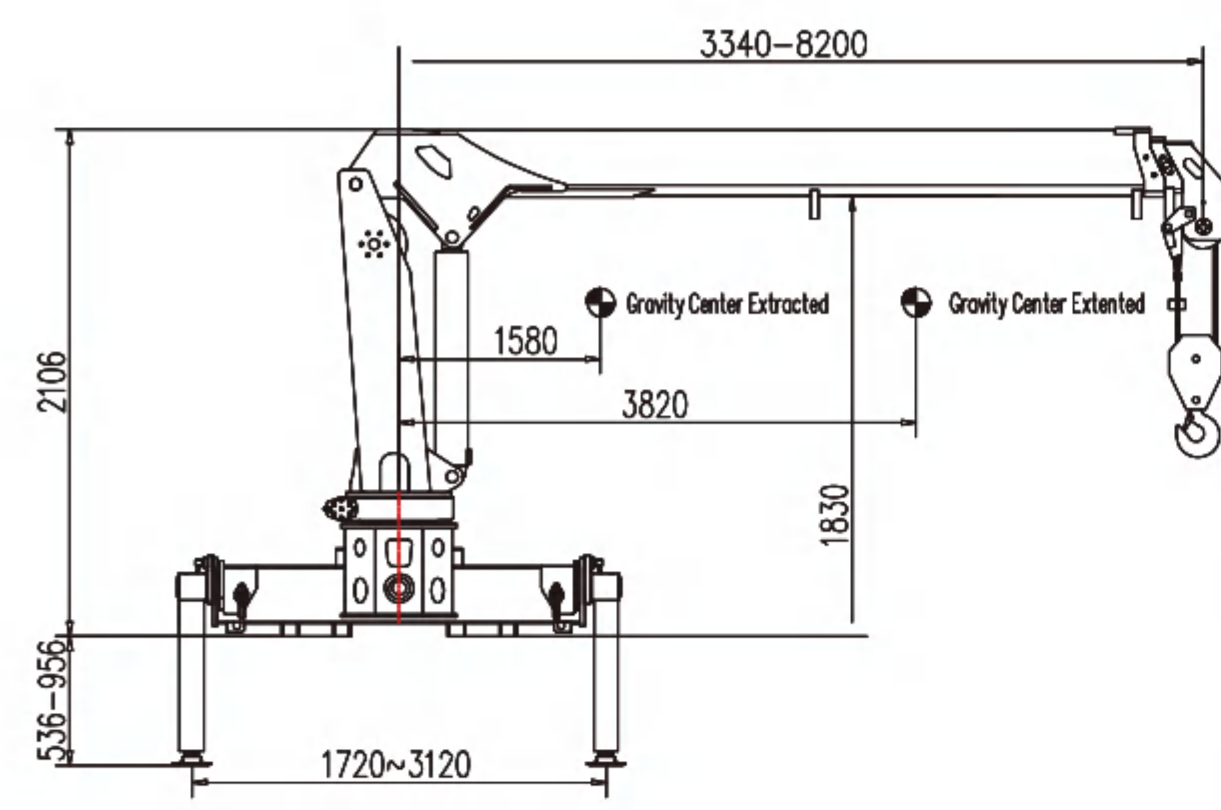
直臂系列产品优势 TELESCOPIC BOOM ADVANTAGE

1. 关键结构件均采用高强度钢板焊接，强度高、自重轻；
2. 8吨以上采用八边形吊臂，自重轻，承载能力强；
3. 配备专用力矩限制器，安全等级高，通过各种安全认证，吊装作业更加精准，安全可靠；
4. 配备防过卷和防过放保护系统，极大的保护了吊装的安全，延长吊机使用寿命；
5. 多种可选配置，如绞车、钻杆、吊篮、抓具等可满足个性化定制需求；
6. 多种操作方式可选，如高空座椅、无线遥控操纵系统等，作业更加便利。

1. The key structural components are welded with high-strength steel plates, offering high strength and lighter self-weight.
2. Cranes with a capacity above 8 tons use octagonal booms, which possess light self-weight and a strong load-bearing capacity.
3. Our products are equipped with a dedicated torque limiter, ensuring a high safety level. The cranes are certified for various safety standards, ensuring lifting operations are precise, safe, and reliable.
4. The features of anti-overwinding and anti-overlowering protection systems, significantly enhance lifting safety and extend crane service life.
5. Multiple optional configurations, such as winches, augers, baskets, and grapples etc. can satisfy personalized customization needs.
6. Various optional operation modes, such as aerial seats and wireless remote control systems, make operations more convenient.

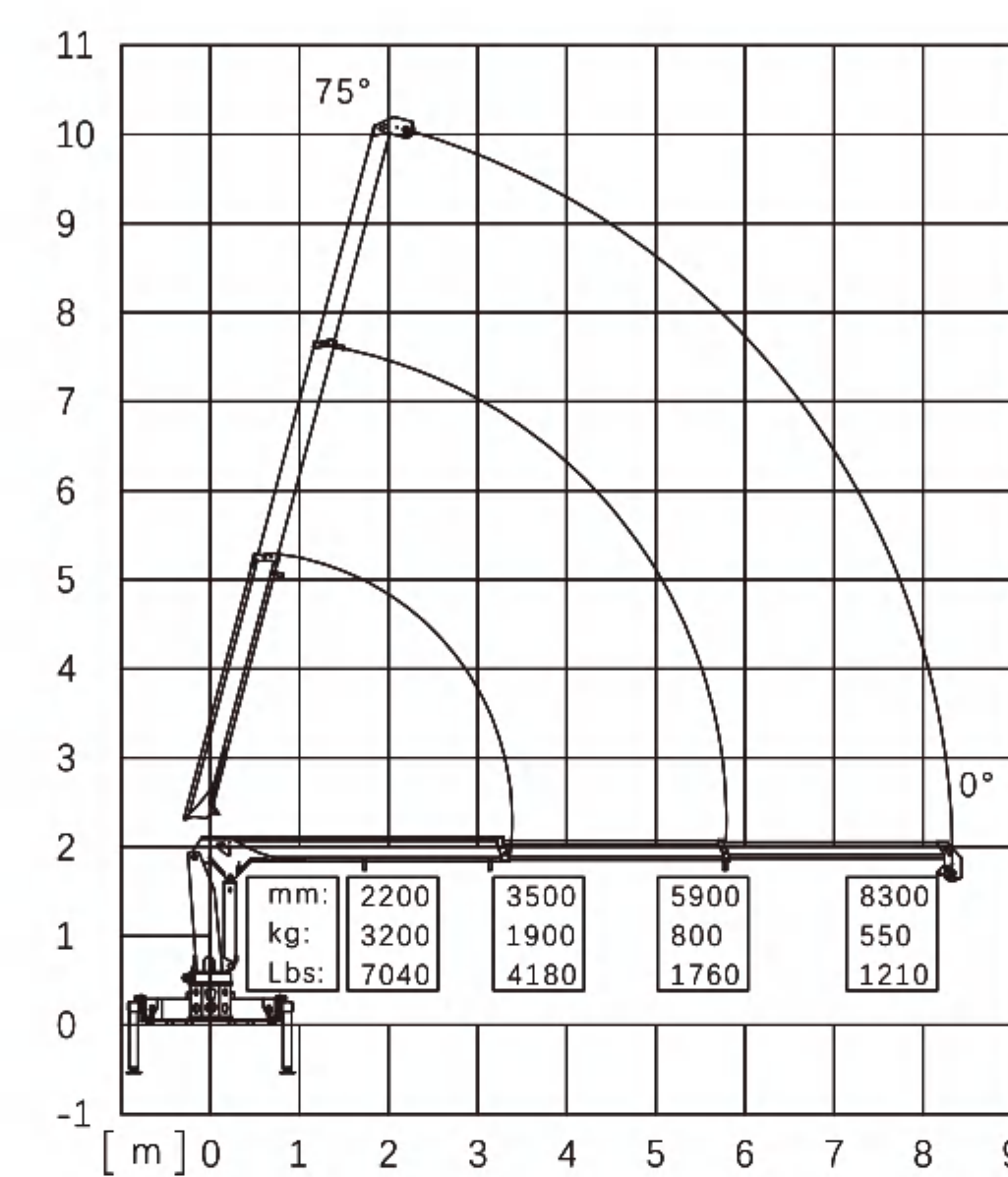
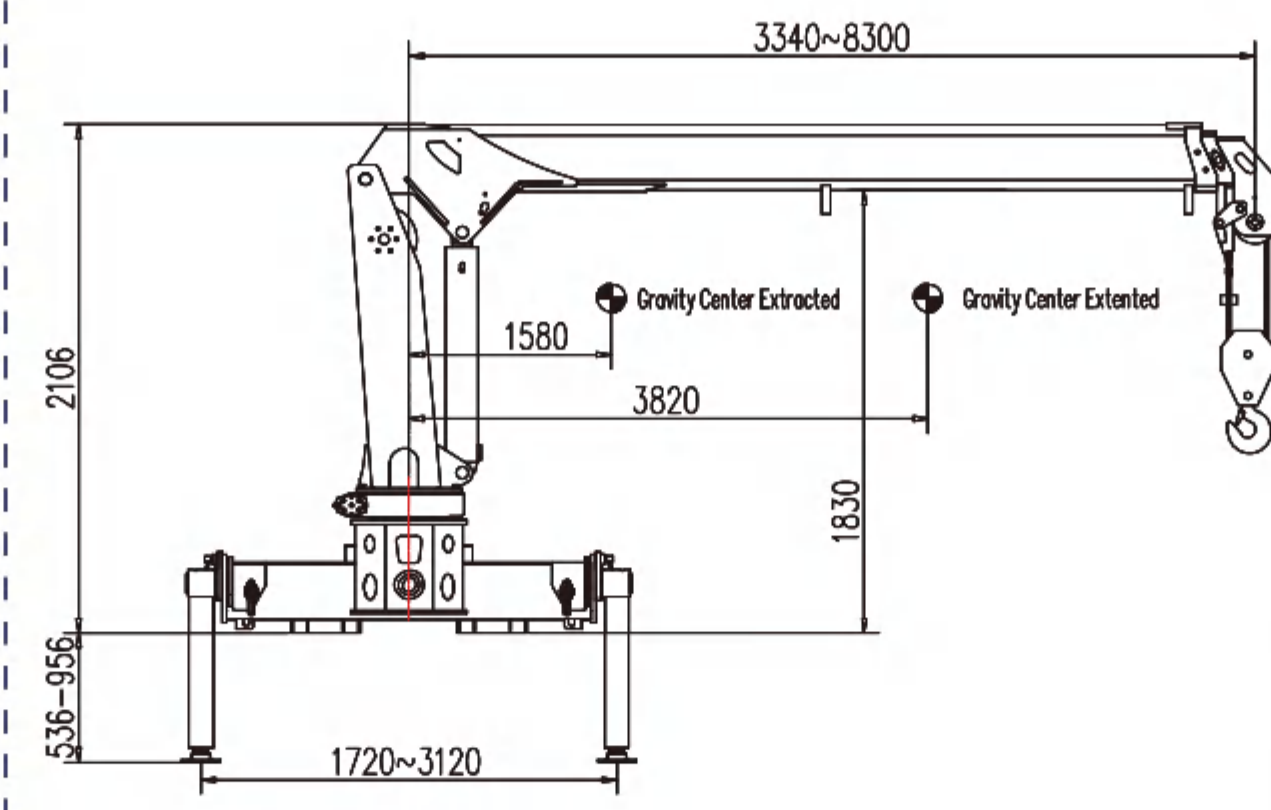


TC2T3



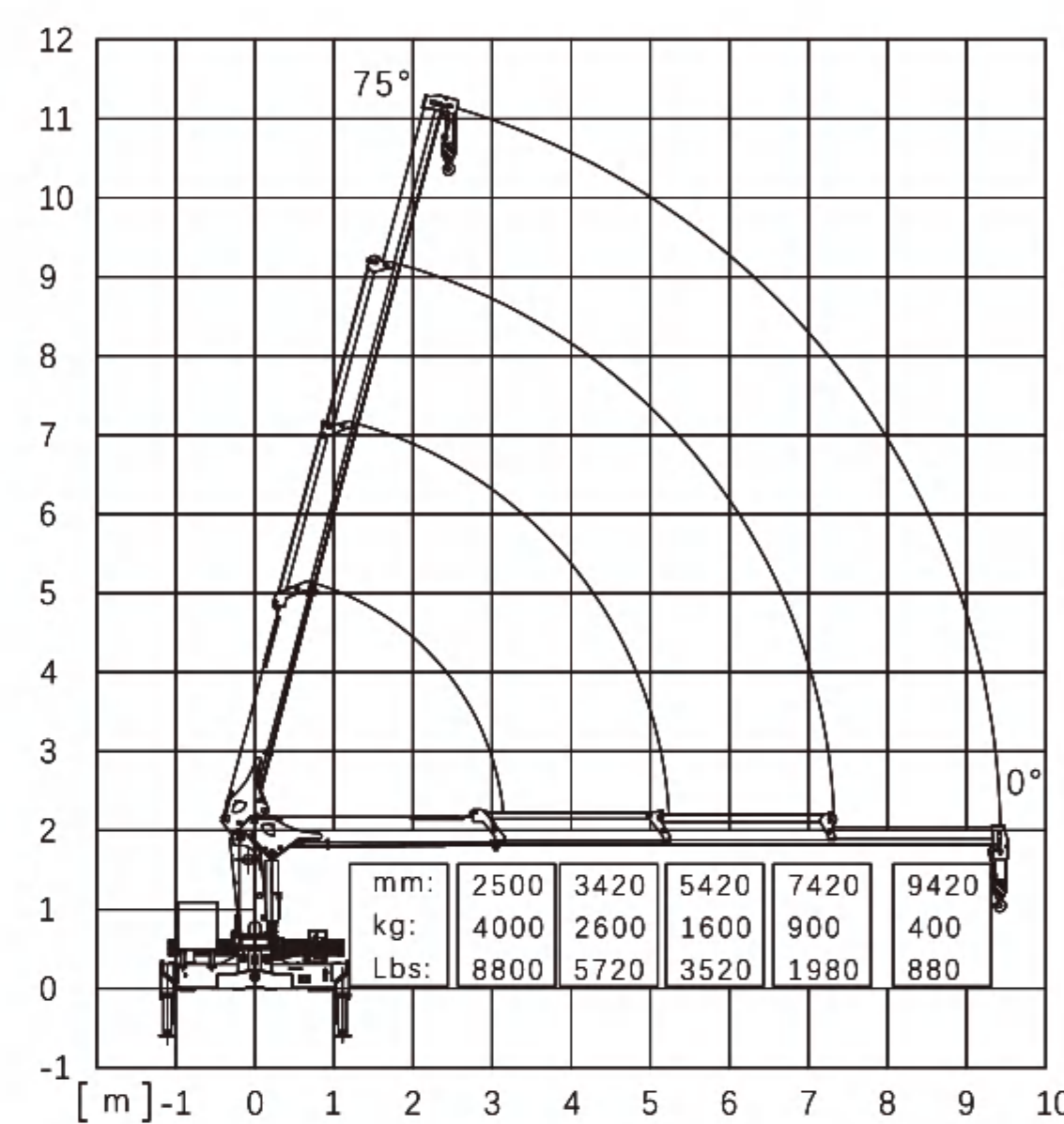
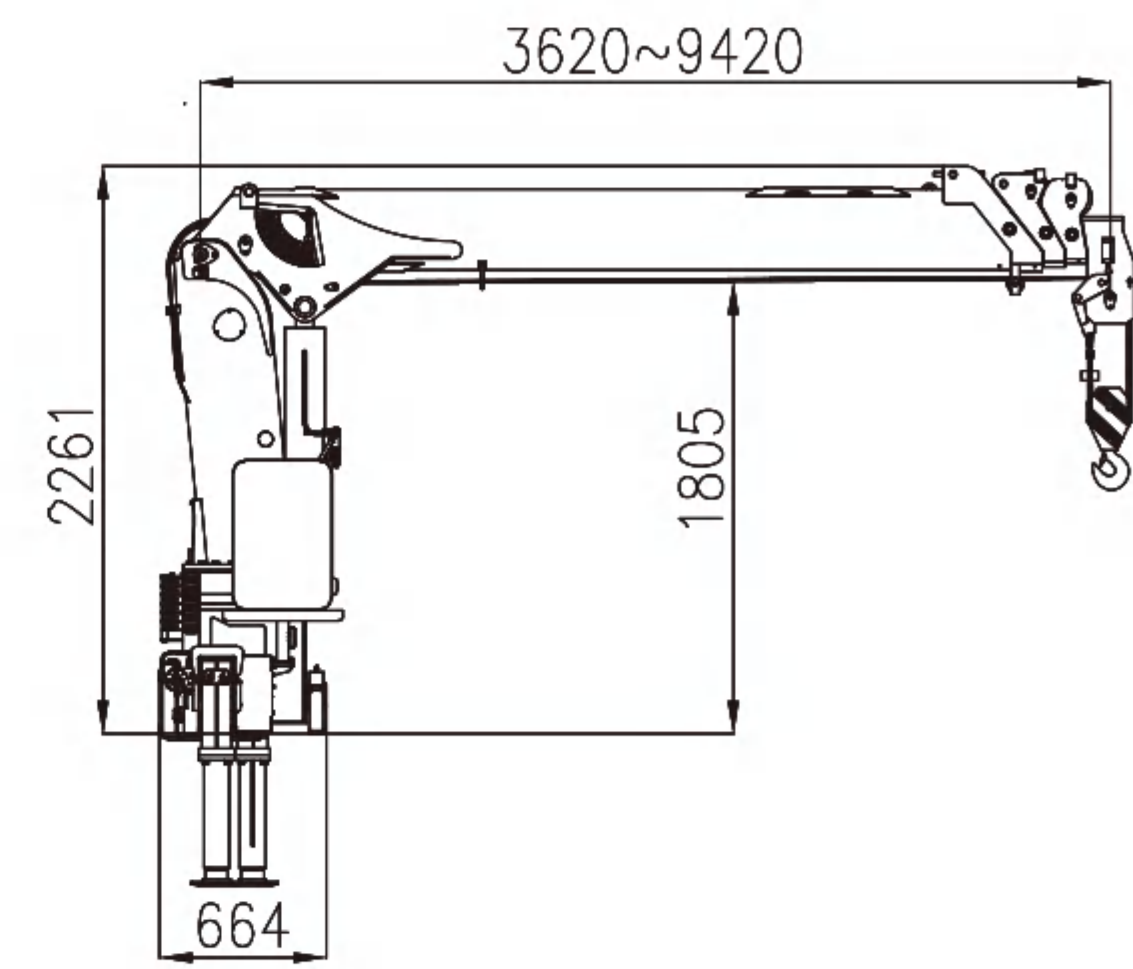
Boom Angle	boom length [m]			
	3.1	5.7	8.2	
0°	3.10 / 1200	5.70 / 550	8.20 / 250	
10°	3.05 / 1300	5.61 / 600	8.07 / 350	
20°	2.91 / 1500	5.35 / 700	7.70 / 500	
30°	2.68 / 1600	4.93 / 800	7.10 / 600	
40°	2.37 / 1700	4.36 / 900	6.28 / 700	
50°	1.99 / 1900	3.66 / 1000	5.26 / 800	
60°	1.55 / 2000	2.85 / 1100	4.10 / 900	
70°	1.06 / 2000	1.95 / 1200	2.80 / 900	
75°	0.82 / 2000	1.47 / 1200	2.12 / 900	

TC3.2T3



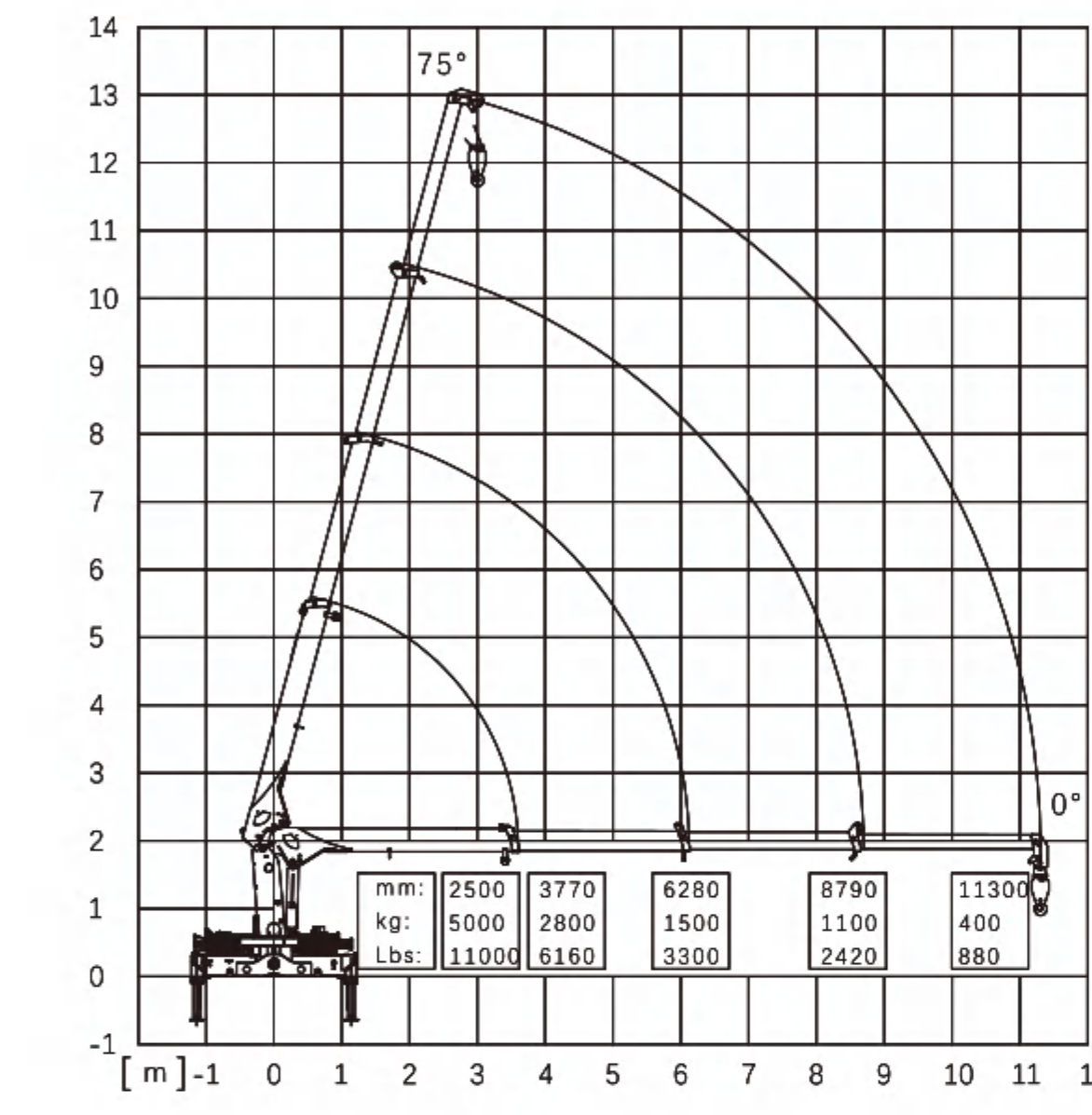
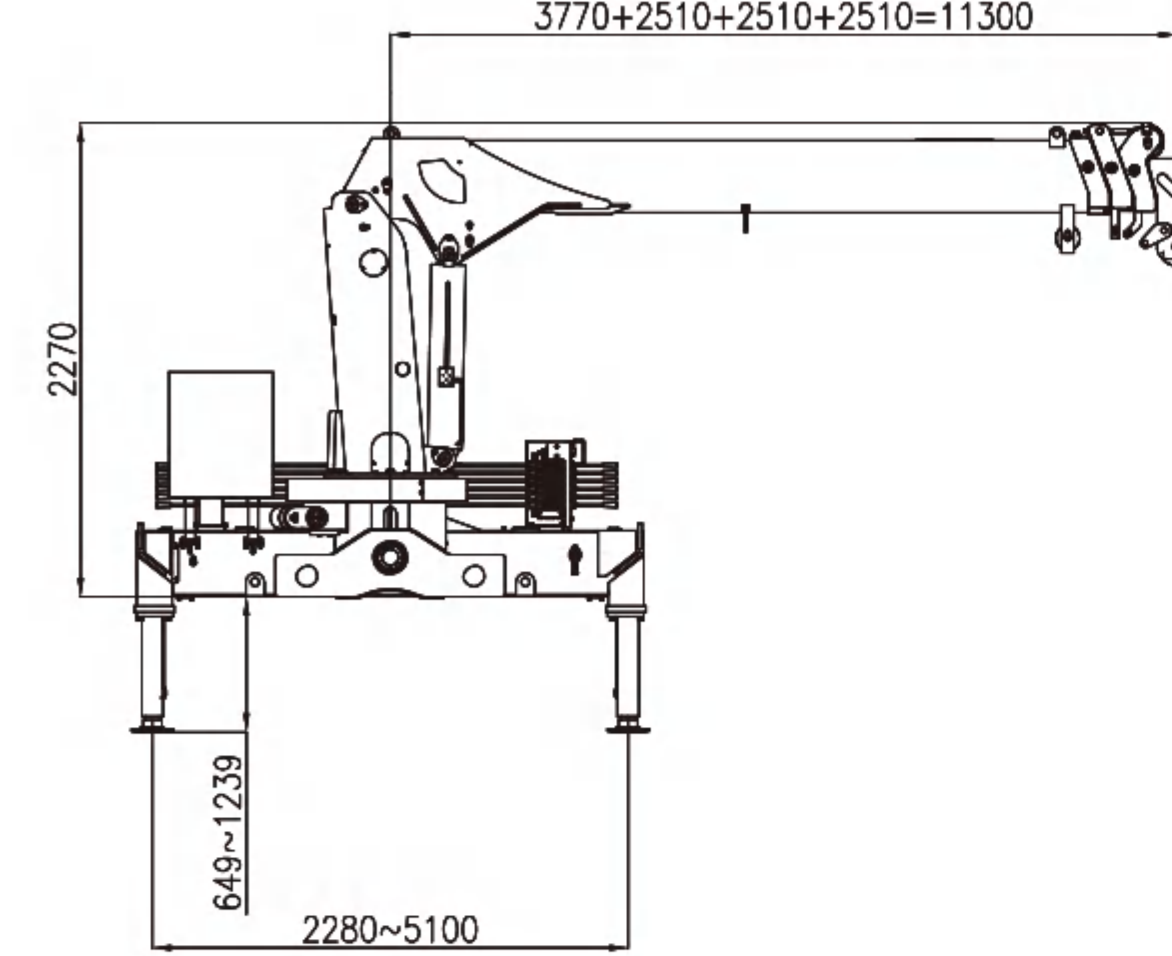
Boom Angle	boom length (m)		
	3.5	5.9	8.3
0°	3.50 / 1900	5.90 / 800	8.30 / 550
10°	3.45 / 2190	5.81 / 900	8.17 / 600
20°	3.29 / 2190	5.54 / 1050	7.80 / 700
30°	3.03 / 2460	5.11 / 1230	7.18 / 780
40°	2.68 / 2960	4.52 / 1390	6.36 / 890
50°	2.25 / 3200	3.78 / 1660	5.33 / 1060
60°	1.71 / 4000	2.95 / 2130	4.15 / 1360
70°	1.19 / 3200	2.02 / 3120	2.84 / 1990
75°	0.91 / 3200	1.52 / 3200	2.15 / 2640

TC4T4



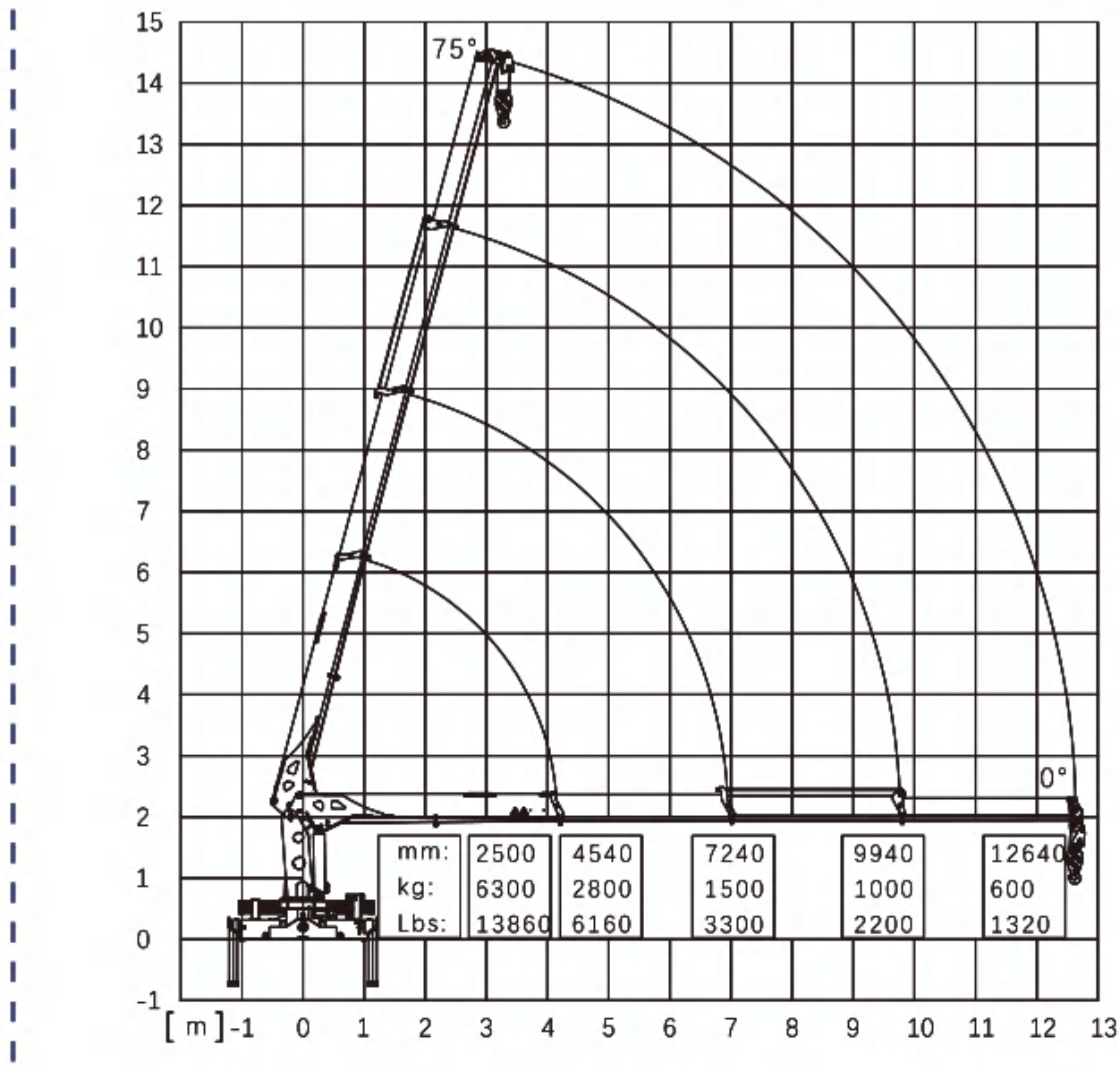
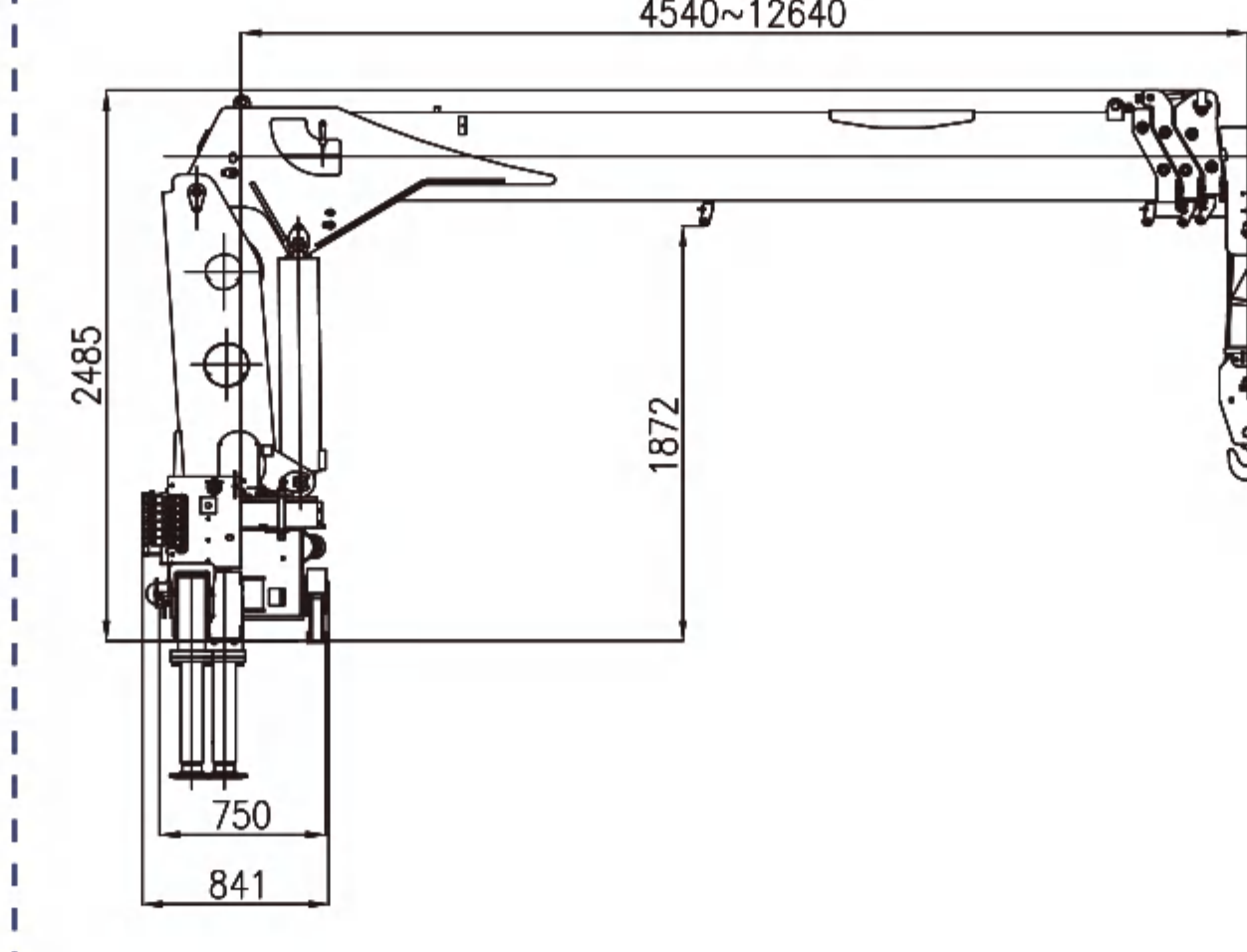
Boom Angle	boom length (m)			
	3.42	5.42	7.42	9.42
0°	3.42 / 2800	5.42 / 1800	7.42 / 900	9.42 / 400
10°	3.37 / 2900	5.34 / 1900	7.31 / 900	9.28 / 400
20°	3.21 / 2700	5.09 / 1700	6.97 / 1000	8.85 / 400
30°	2.96 / 2800	4.69 / 1800	6.43 / 1100	8.16 / 500
40°	2.62 / 3500	4.15 / 2000	5.88 / 1200	7.22 / 500
50°	2.2 / 4000	3.48 / 2500	4.77 / 1400	6.06 / 600
60°	1.71 / 4000	2.71 / 3000	3.71 / 1700	4.71 / 800
70°	1.17 / 4000	1.85 / 3200	2.54 / 3000	3.22 / 1300
75°	0.89 / 4000	1.4 / 3200	1.92 / 3000	2.44 / 1400

TC5T4



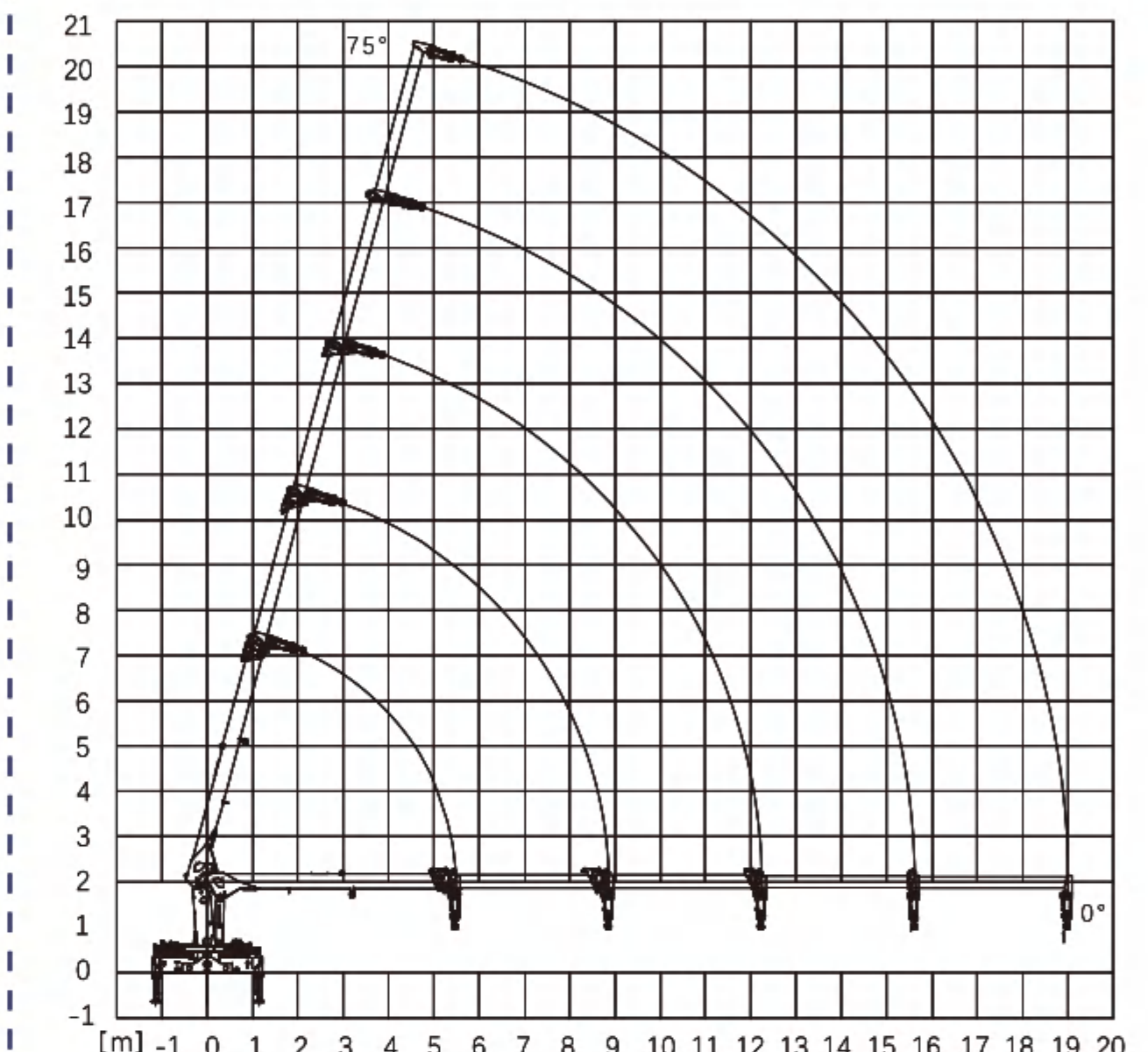
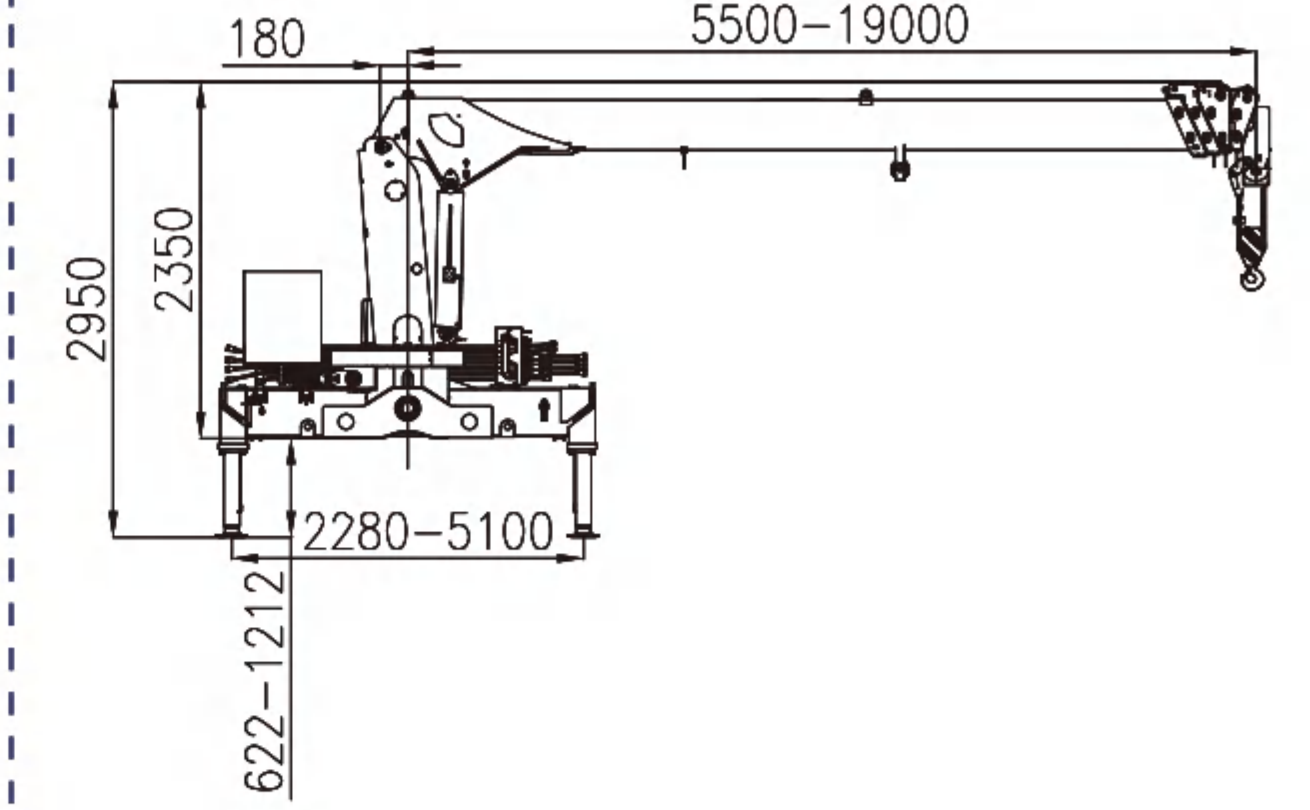
Boom Angle	boom length (m)			
	3.77	6.28	8.79	11.3
0°	3.77 / 2800	6.28 / 1500	8.79 / 1100	11.3 / 400
10°	3.71 / 2900	6.18 / 1500	8.66 / 1100	11.13 / 400
20°	3.54 / 3000	5.91 / 1600	8.26 / 1100	10.62 / 400
30°	3.26 / 3300	5.44 / 1700	7.61 / 1200	9.79 / 500
40°	2.89 / 3700	4.81 / 1900	6.73 / 1400	8.66 / 500
50°	2.42 / 5000	4.04 / 2300	5.65 / 1700	7.26 / 600
60°	1.89 / 5000	3.14 / 2900	4.41 / 1800	5.65 / 800
70°	1.29 / 5000	2.15 / 2900	3.01 / 1800	3.88 / 1100
75°	0.98 / 5000	1.63 / 2900	2.28 / 1800	2.92 / 1200

TC6.3T4



Boom Angle	boom length (m)			
	4.54	7.24	9.94	12.64
0°	4.54 / 2800	7.24 / 1500	9.94 / 1000	12.64 / 600
10°	4.47 / 2900	7.13 / 1500	9.79 / 1100	12.45 / 600
20°	4.27 / 3000	6.81 / 1700	9.34 / 1100	11.98 / 700
30°	3.93 / 3300	6.27 / 1900	8.61 / 1200	10.95 / 800
40°	3.48 / 3700	5.55 / 2100	7.61 / 1300	9.68 / 900
50°	2.92 / 5800	4.65 / 2400	6.39 / 1400	8.12 / 1100
60°	2.27 / 6300	3.62 / 3000	4.97 / 1500	6.32 / 1200
70°	1.55 / 6300	2.48 / 3000	3.4 / 1500	4.32 / 1200
75°	1.18 / 6300	1.87 / 3000	2.57 / 1500	3.27 / 1200

TC6.3T5



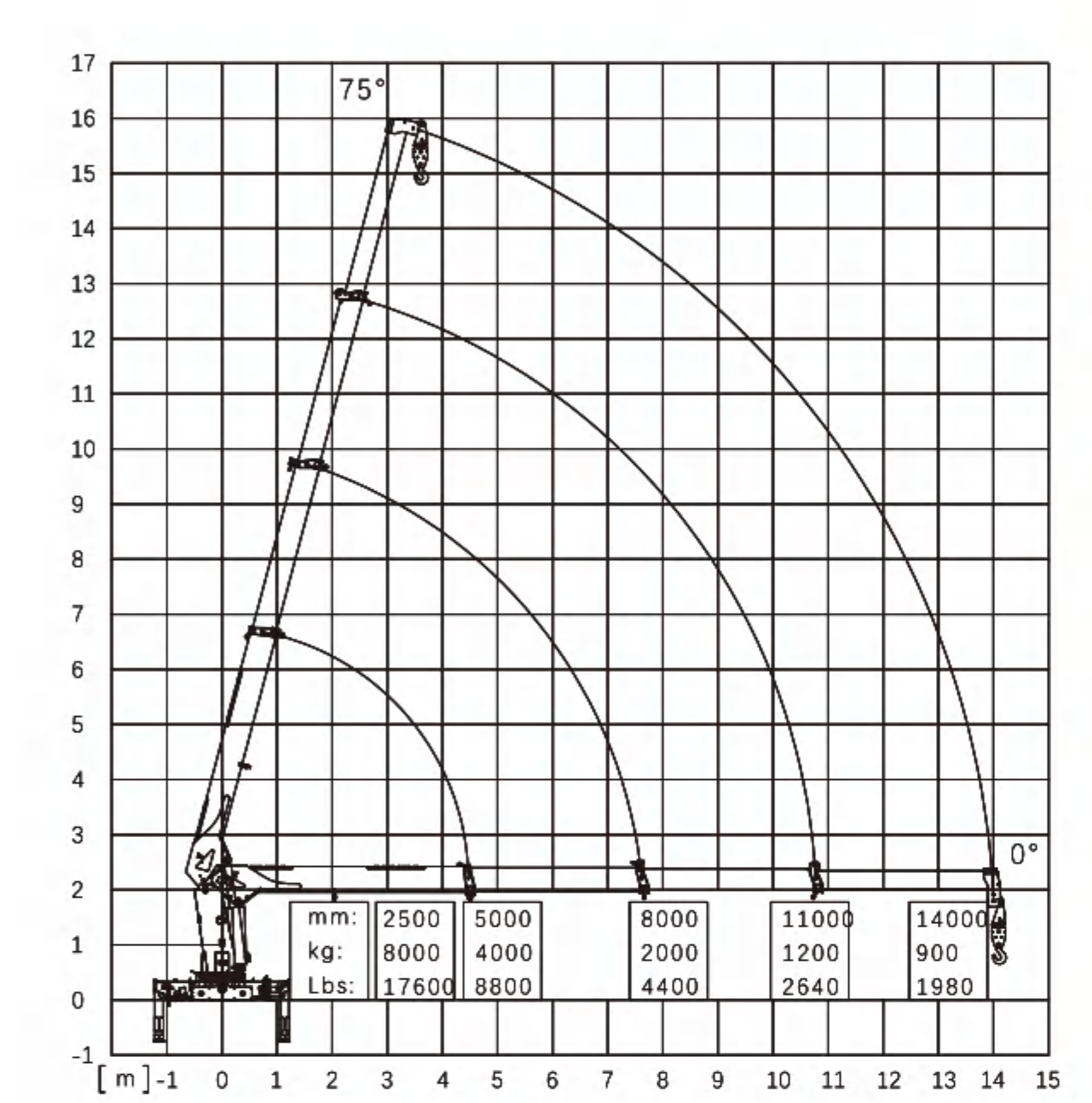
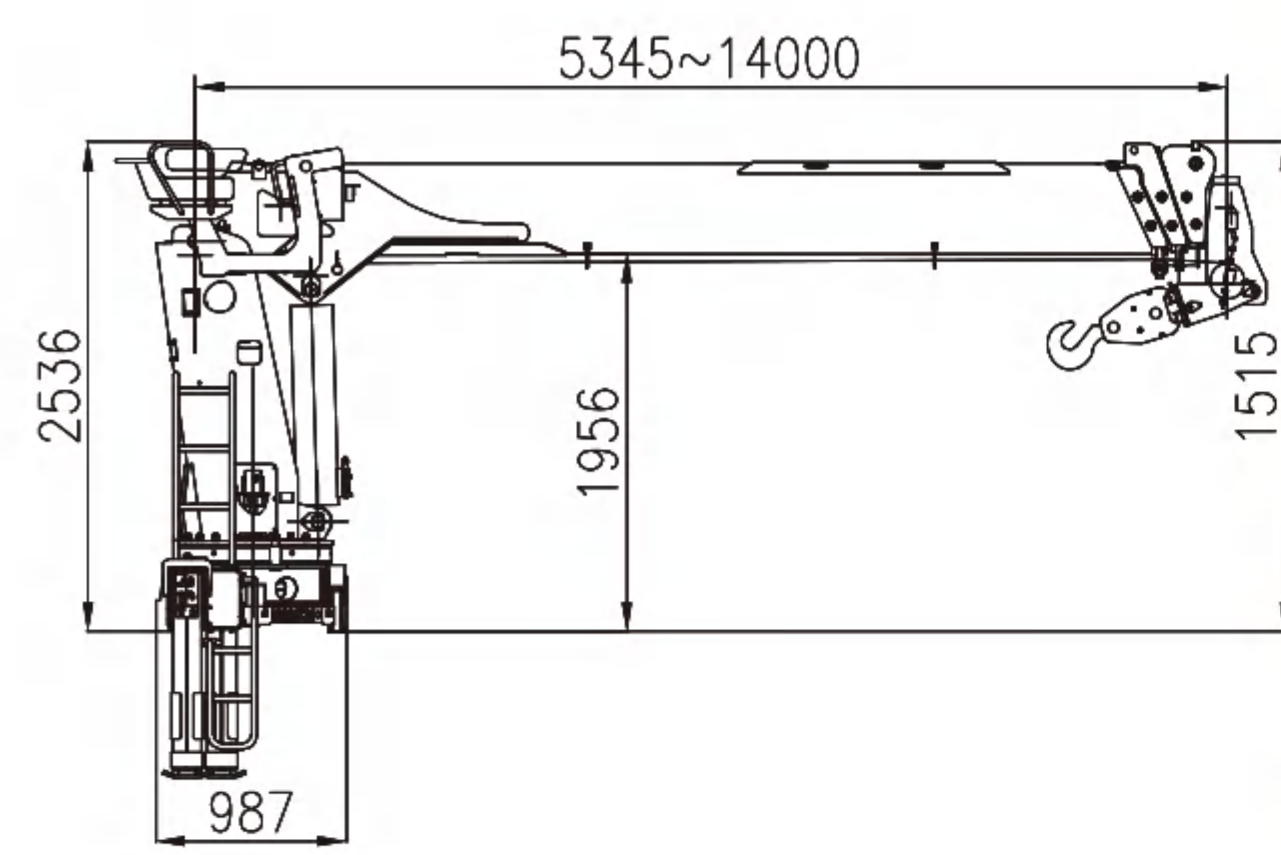
mm:	2500	5500	8870	12200	15600	19000
	kg:	6300	2800	1500	800	500
Lbs:	13860	6160	3300	1760	1100	440

Boom Angle	boom length (m)				
	5.5	8.87	12.2	15.6	19
0°	5.5 / 2800	8.87 / 1500	12.2 / 800	15.6 / 500	19 / 200
10°	5.4 / 2900	8.71 / 1600	12 / 900	15.4 / 600	18.7 / 240
20°	5.2 / 3000	8.3 / 1700	11.5 / 1000	14.7 / 700	17.9 / 280
30°	4.8 / 3300	7.7 / 1800	10.6 / 1100	13.5 / 800	16.5 / 320
40°	4.2 / 3700	6.8 / 2100	9.3 / 1200	12 / 900	14.6 / 360
50°	3.5 / 5800	5.7 / 2400	7.8 / 1300	10 / 1100	12.2 / 440
60°	2.8 / 6300	4.4 / 3000	6.1 / 1400	7.8 / 1200	9.5 / 500
70°	1.9 / 6300	3 / 3000	4.2 / 1500	5.3 / 1200	6.5 / 500
75°	1.4 / 6300	2.3 / 3000	3.2 / 1500	4 / 1200	4.9 / 500

项目	Item	单位 Unit	TC2T3	TC3.2T3	TC4T4
最大起重质量	Max Lifting Capacity	Kg	2000	3200	4000
最大起重力矩	Max Lifting Moment	Ton.m	4.2	7	10
推荐功率	Recommend Power	KW	8	14	16
液压系统流量	Hydraulic System Flow	L/Min	20	25	25
液压系统压力	Hydraulic System Pressure	MPa	16	20	20
油箱容积	Oil Tank Capacity	L	35	60	60
安装空间	Installation Space	mm	650	750	900
起重机自重	Self Weight	Kg	650	1280	1750
回转角度	Rotation Angle	°	360°全回转	360°全回转	360°全回转

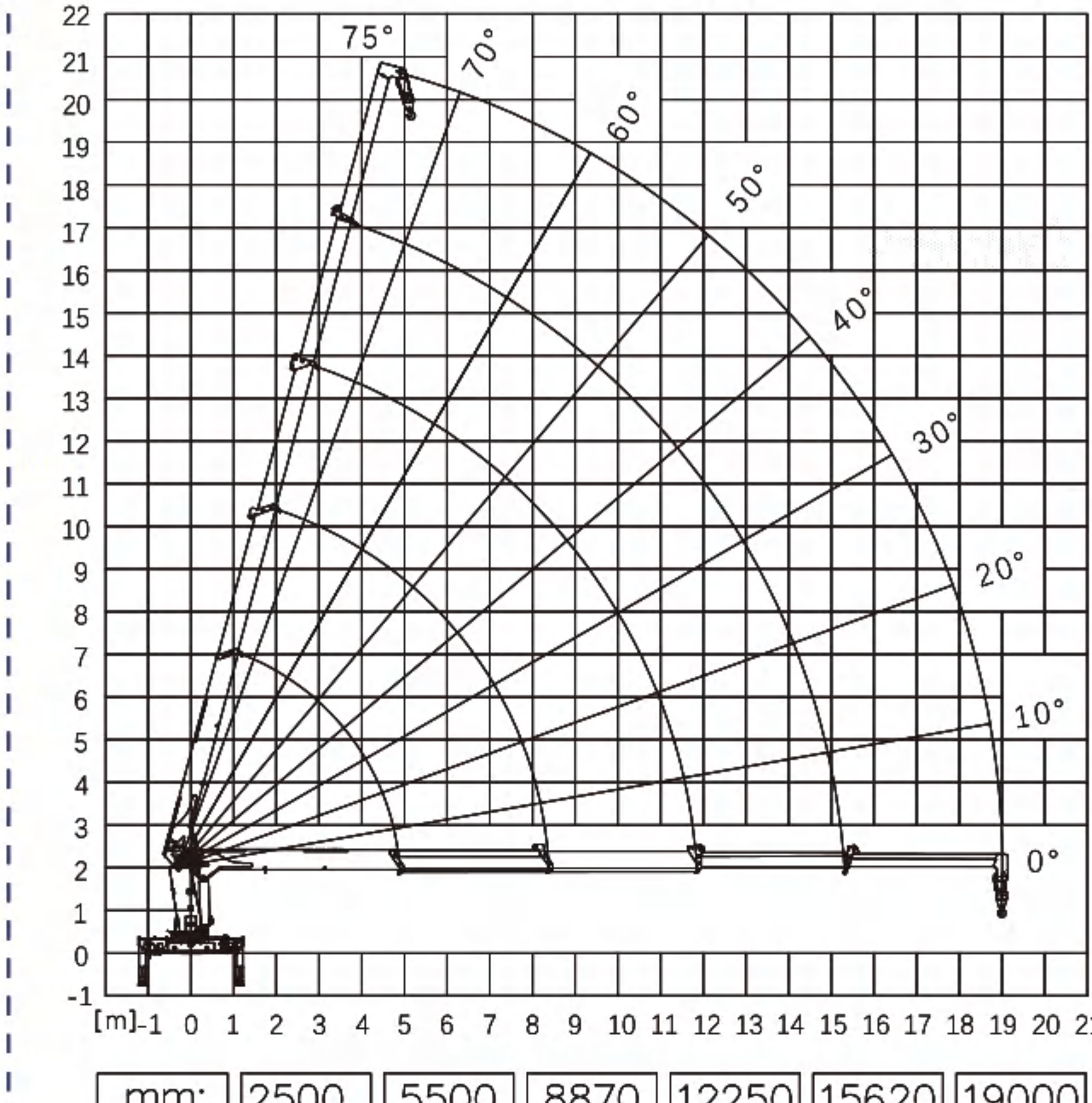
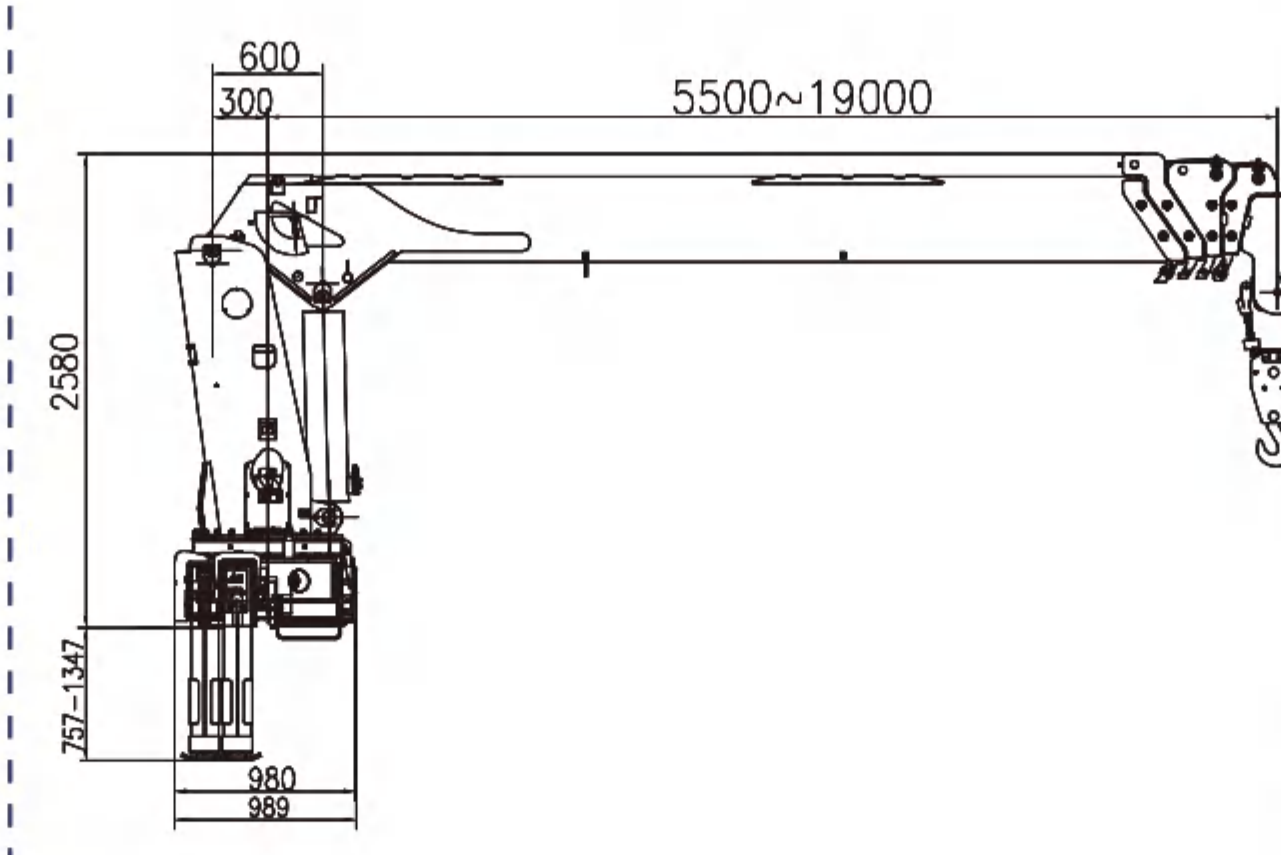
项目	Item	单位 Unit	TC5T4	TC6.3T4	TC6.3T5
最大起重质量	Max Lifting Capacity	Kg	5000	6300	6300
最大起重力矩	Max Lifting Moment	Ton.m	12.5	16	16
推荐功率	Recommend Power	KW	22	22	22
液压系统流量	Hydraulic System Flow	L/Min	40	40	40
液压系统压力	Hydraulic System Pressure	MPa	20	22	22
油箱容积	Oil Tank Capacity	L	90	90	90
安装空间	Installation Space	mm	1050	1050	1050
起重机自重	Self Weight	Kg	2380	2700	2800
回转角度	Rotation Angle	°	360°全回转	360°全回转	360°全回转

TC8T4



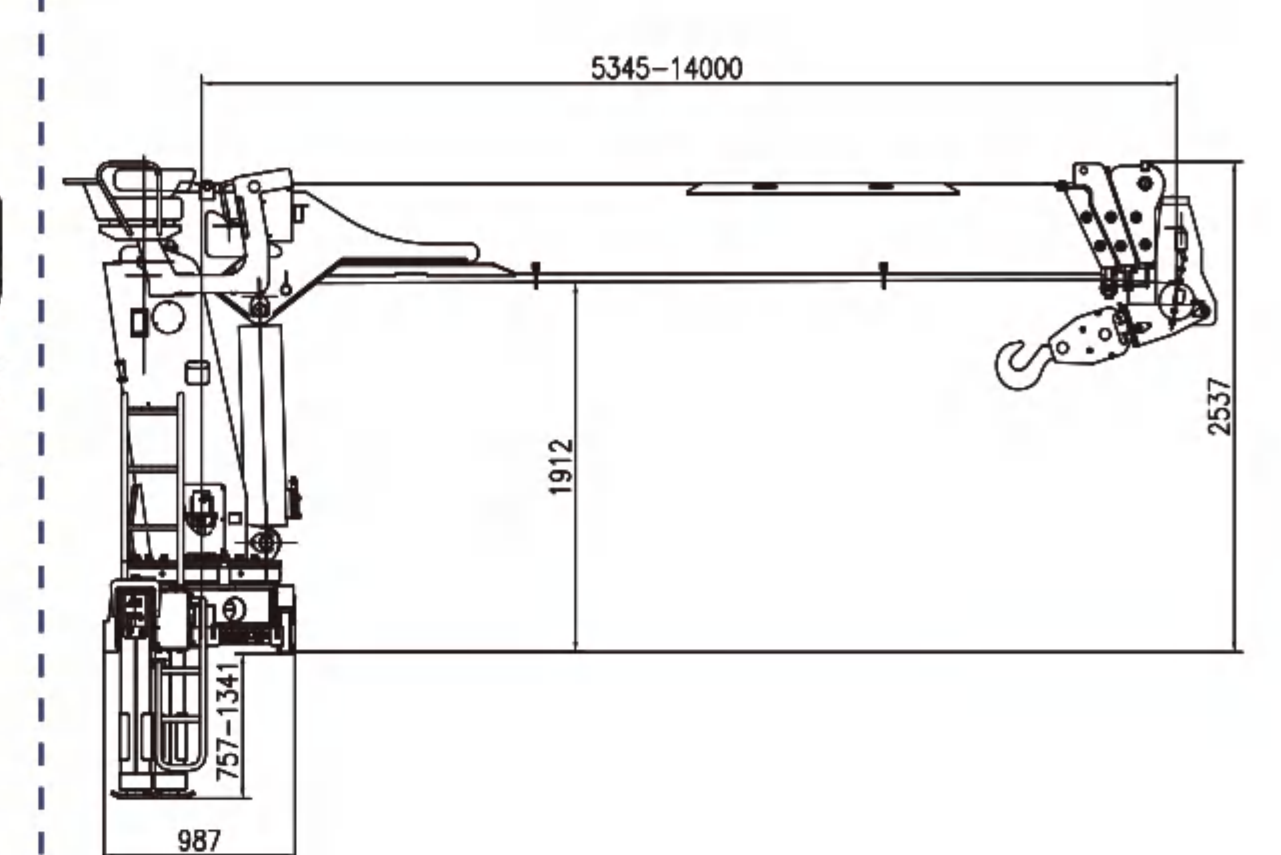
boom angle	boom length (m)			
	5	8	11	14
Working Radius(m)/Lifting Capacity(kg)				
0°	5/4000	8/2000	11/1200	14/900
10°	4.92/4000	7.88/2100	10.83/1300	13.79/900
20°	4.74/2000	7.52/2200	10.34/1400	13.18/900
30°	4.33/4600	6.93/2400	9.53/1500	12.12/1000
40°	3.83/5200	6.13/2700	8.43/1700	10.72/1200
50°	3.21/6200	5.14/3200	7.07/2000	9/1400
60°	2.5/8000	4.4200	5.5/2600	7/1800
70°	1.71/8000	2.74/6100	3.76/3900	4.79/2700
75°	1.29/8000	2.07/6400	2.85/4400	3.62/3600

TC8T5



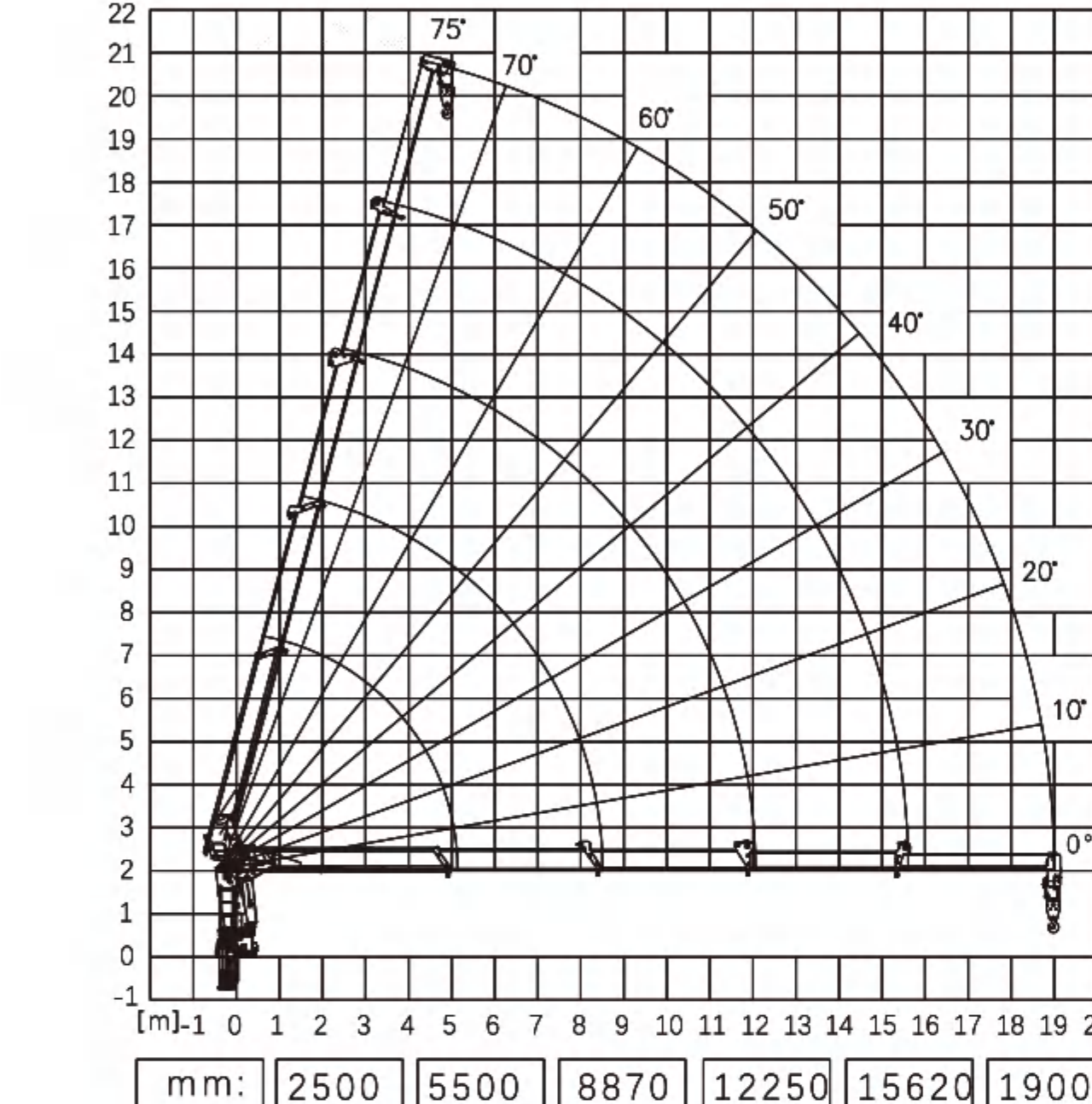
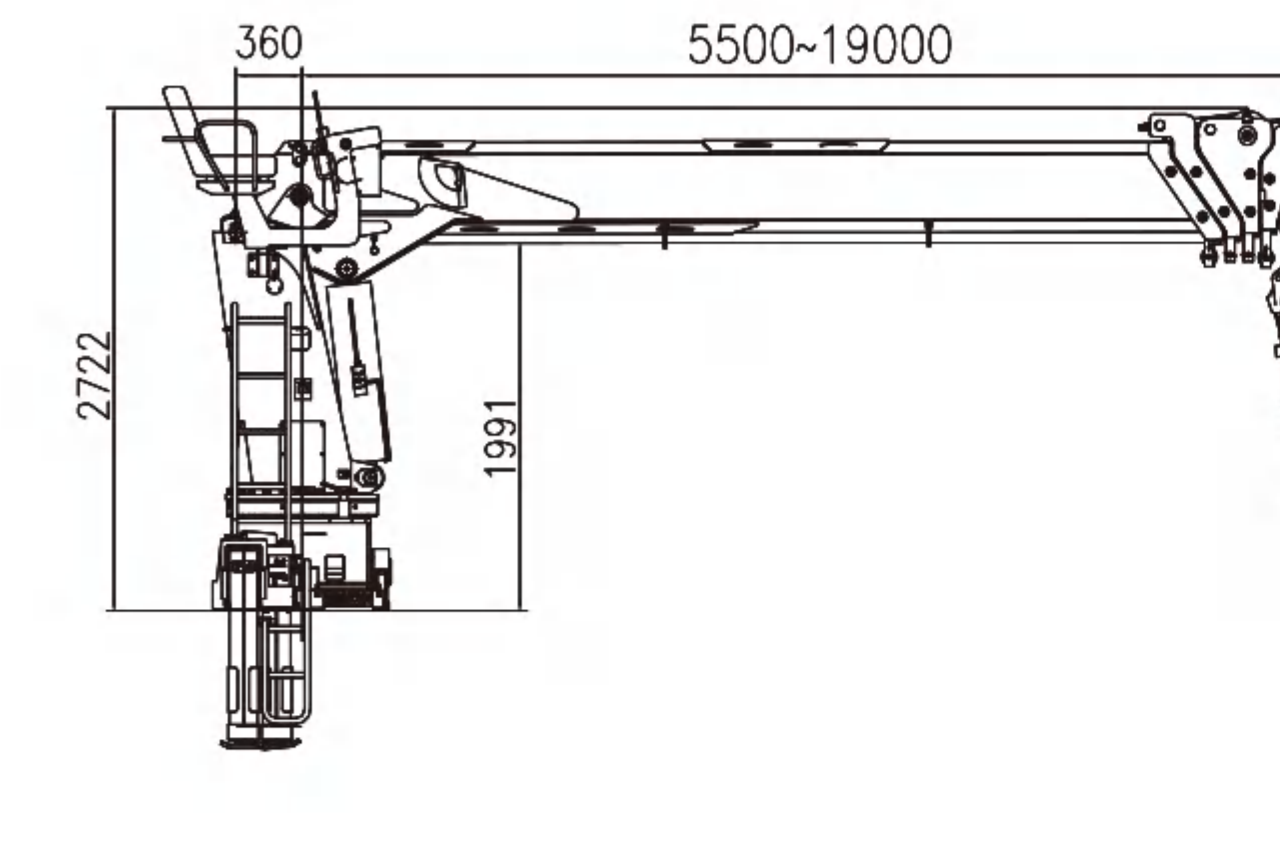
boom angle	boom length (m)				
	5.5	8.87	12.25	15.62	19
Working Radius(m)/Lifting Capacity(kg)					
0°	5.5/3800	8.87/1700	12.25/1100	15.62/600	19/300
10°	5.12/3765	8.44/1800	11.76/1200	15.08/620	18.41/320
20°	4.87/3955	8.04/2300	11.21/1500	14.38/780	17.55/360
30°	4.46/4290	7.38/2580	10.31/1680	13.23/900	16.15/400
40°	3.91/4920	6.49/2800	9.08/1850	11.67/1000	14.25/520
50°	3.24/5930	5.4/3450	7.57/2350	9.74/1200	11.91/650
60°	2.45/8130	4.14/4300	5.83/3100	7.51/1880	9.27/720
70°	1.58/8000	2.73/6700	3.89/4500	5.04/2550	6.27/760
75°	1.12/8000	2/8000	2.87/6000	3.74/3450	4.62/850

TC10T4



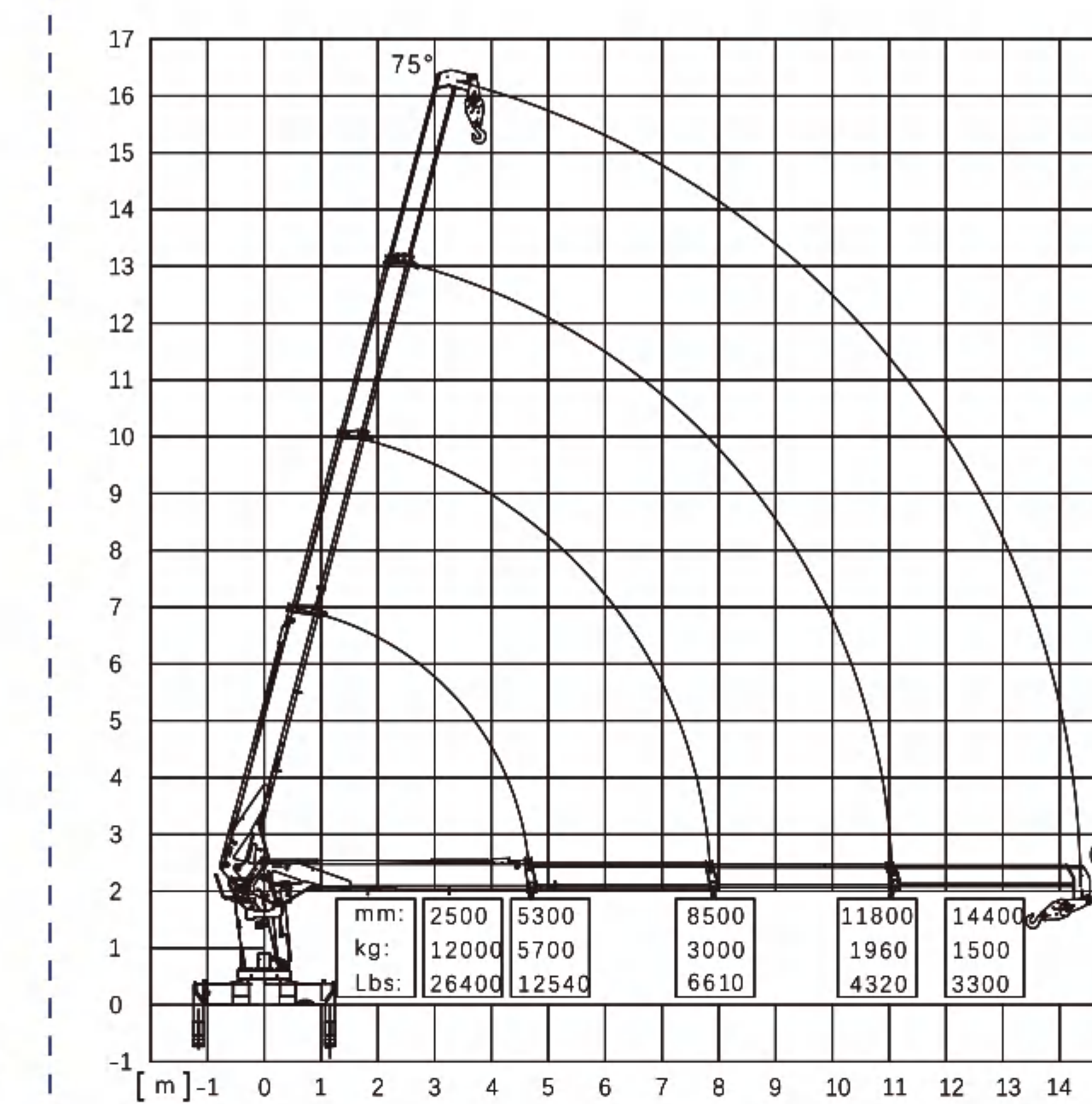
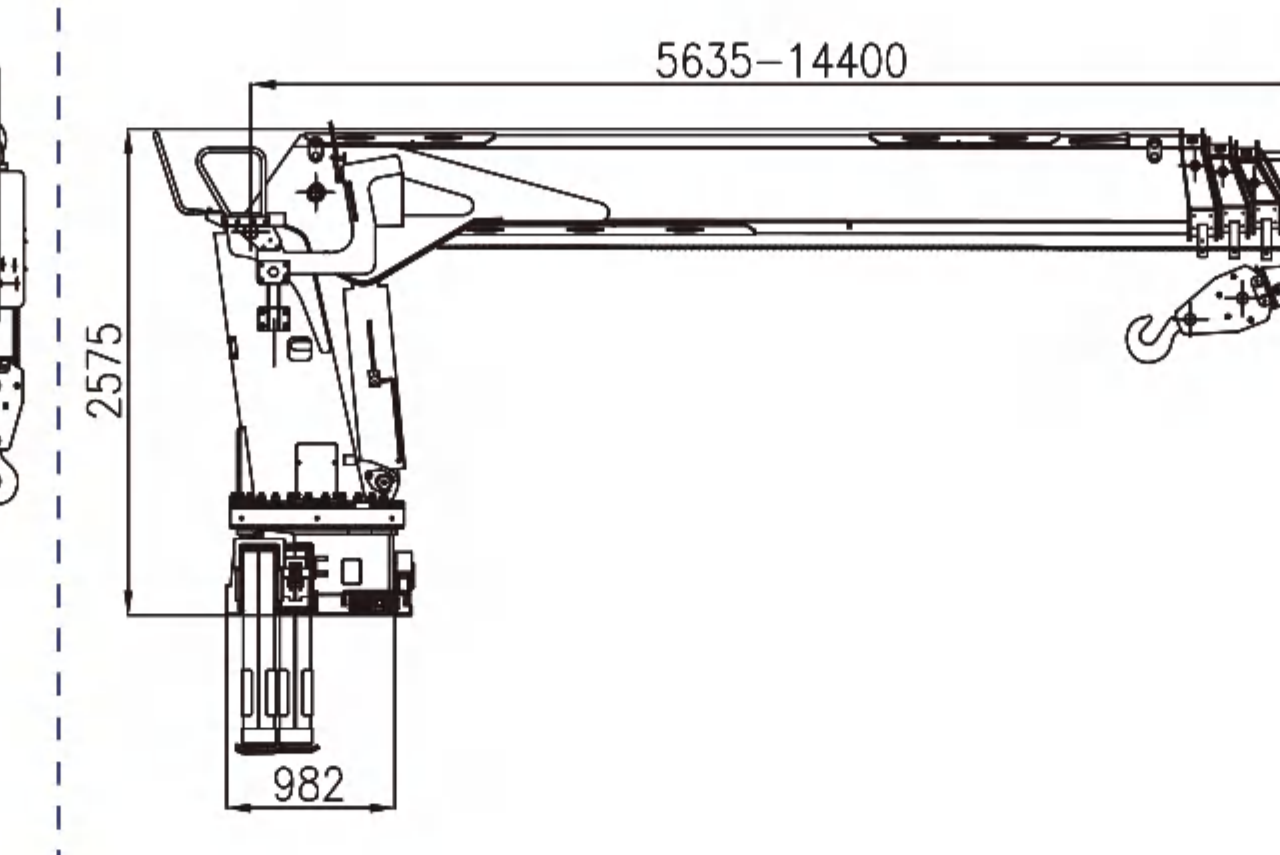
boom angle	boom length (m)			
	5	8	11	14
Working Radius(m) / Lifting Capacity (kg)				
0°	5/5000	8/2600	11/1800	14/1100
10°	4.9/5102	7.9/2739	10.8/1890	13.8/1137
20°	4.7/2555	7.5/2782	10.3/1969	13.2/1186
30°	4.3/5408	6.9/3103	9.5/2138	12.1/1174
40°	3.8/6468	6.1/3424	8.4/2431	10.7/1345
50°	3.2/7703	5.1/4484	7.1/2904	9/1590
60°	2.5/10203	4/5360	5.5/3771	7/2079
70°	1.7/10000	2.7/8132	3.8/5572	4.8/3241
75°	1.3/10000	2.1/10000	2.8/7317	3.6/4281

TC10T5



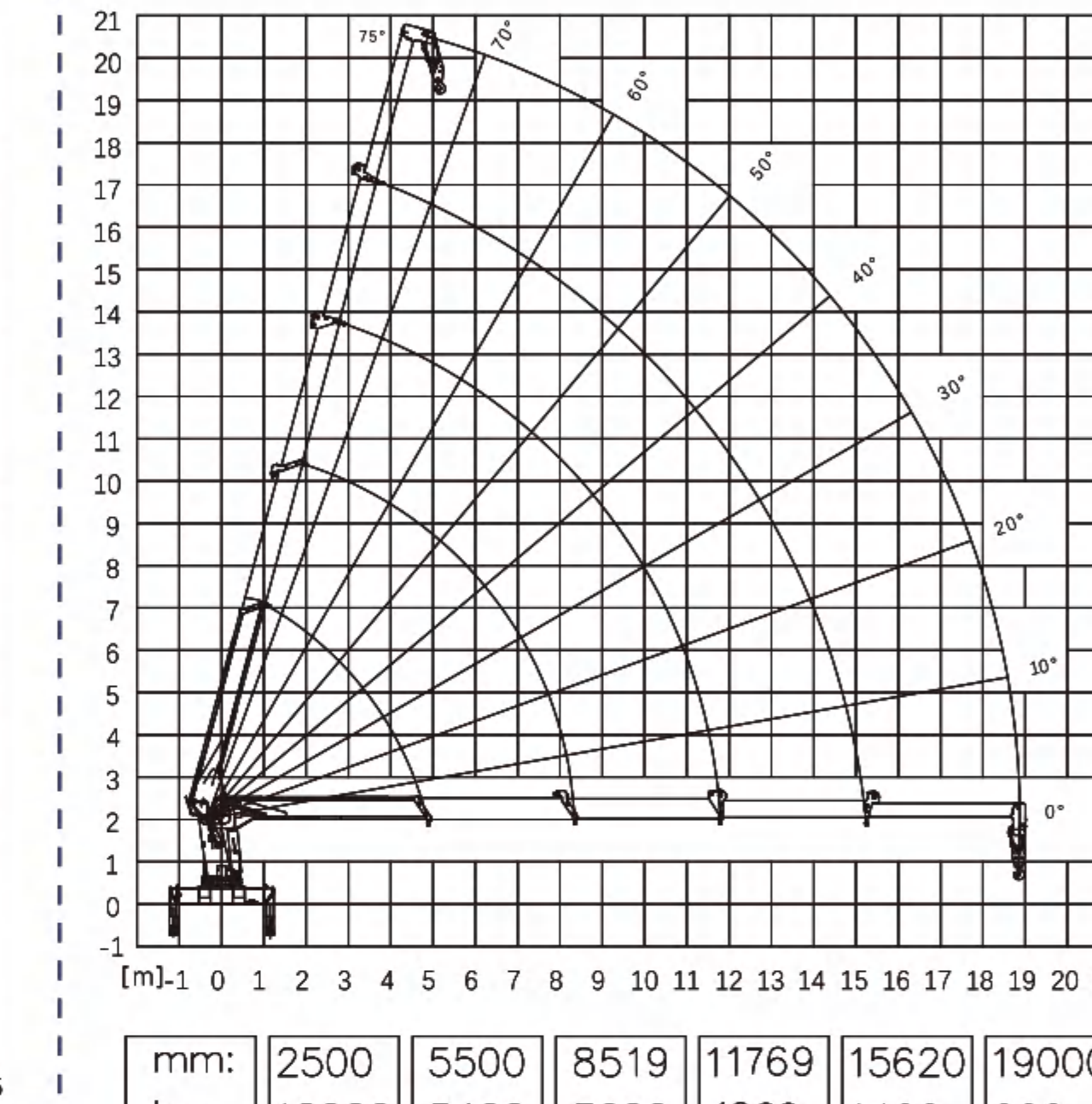
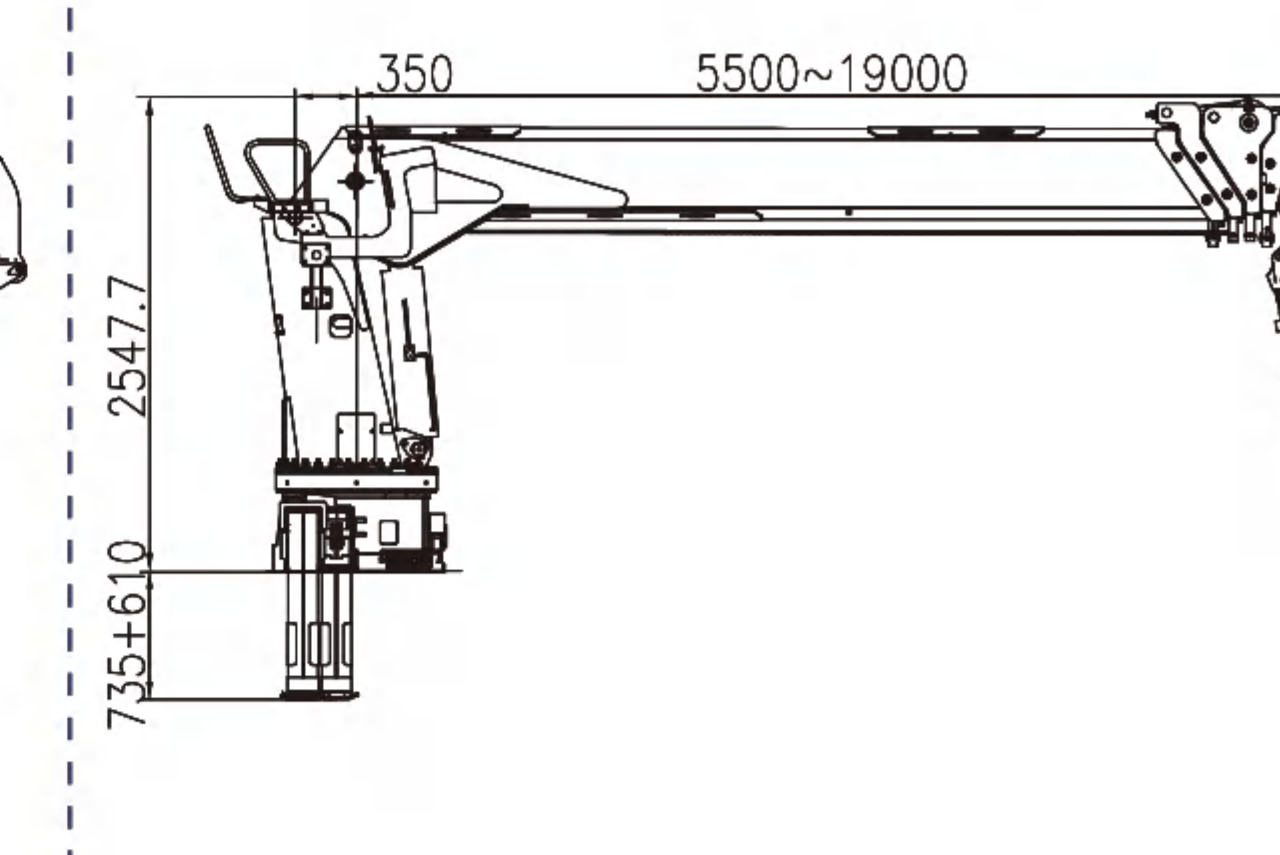
boom angle	boom length (m)				
	5.5	8.87	12.25	15.62	19
Working Radius(m) / Lifting Capacity (kg)					
0°	5.5/4900	8.87/2430	12.25/1600	15.62/900	19/400
10°	5.06/5000	8.38/2560	11.7/1880	15.02/930	18.35/420
20°	4.81/5150	7.86/2600	11.15/1750	14.32/970	17.48/450
30°	4.4/5300	7.32/2900	10.25/1900	13.17/960	16.09/500
40°	3.85/6300	6.43/3200	9.02/2160	11.61/1000	14.19/660
50°	3.18/7550	5.34/4000	7.51/2590	9.69/1300	11.85/800
60°	2.39/8000	4.09/5000	5.77/3350	7.45/1700	9.14/900
70°	1.57/10000	2.67/6000	3.83/4650	4.98/2650	6.14/950
75°	1.05/10000	1.94/10000	2.81/4650	3.68/3500	4.56/1050

TC12T4



boom angle	boom length (m)			
	5.3	8.3	11.4	14.4
Working Radius(m)/Lifting Capacity(kg)				
0°	5.3/5700	8.3/3200	11.4/1900	14.4/1500
10°	5.22/5900	8.17/3300	11.2/1900	14.18/1500
20°	4.82/6100	7.79/3450	10.7/2000	13.53/1500
30°	4.59/6600	7.18/3750	9.87/2200	12.47/1700
40°	4.06/7500	6.35/4200	8.73/2500	11.03/1900
50°	3.41/9500	5.32/5000	7.31/2900	9.26/2200
60°	2.65/12000	4.15/6500	5.7/3800	7.2/2900
70°	1.81/12000	2.83/9500	3.89/5900	4.93/3900
75°	1.37/12000	2.14/12000	2.95/7400	3.73/4000

TC12T5



boom angle	boom length (m)				
	5.5	8.51	11.76	15.62	19
Working Radius(m)/Lifting Capacity(kg)					
0°	5.5/5400	8.51/3000	11.76/1960	15.62/1400	19/600
10°	5.07/5900	8.38/3050	11.58/1990	15.03/1500	18.36/620
20°	4.82/6200	7.99/3250	11.05/2100	14.33/1650	17.5/650
30°	4.41/7000	7.37/3500	10.18/2250	13.18/1800	16.1/720
40°	3.86/8100	6.51/3900	9.00/2560	11.62/2100	14.2/800
50°	3.19/9500	5.43/4690	7.55/3050	9.69/2480	11.86/1010
60°	2.41/12000	4.25/6000	5.88/3900	7.46/3150	9.15/1120
70°	1.52/12000	2.81/8800	4.22/5750	4.96/4650	6.14/1220
75°	1.06/12000	2.20/12000	3.04/8000	3.88/5500	4.56/1320

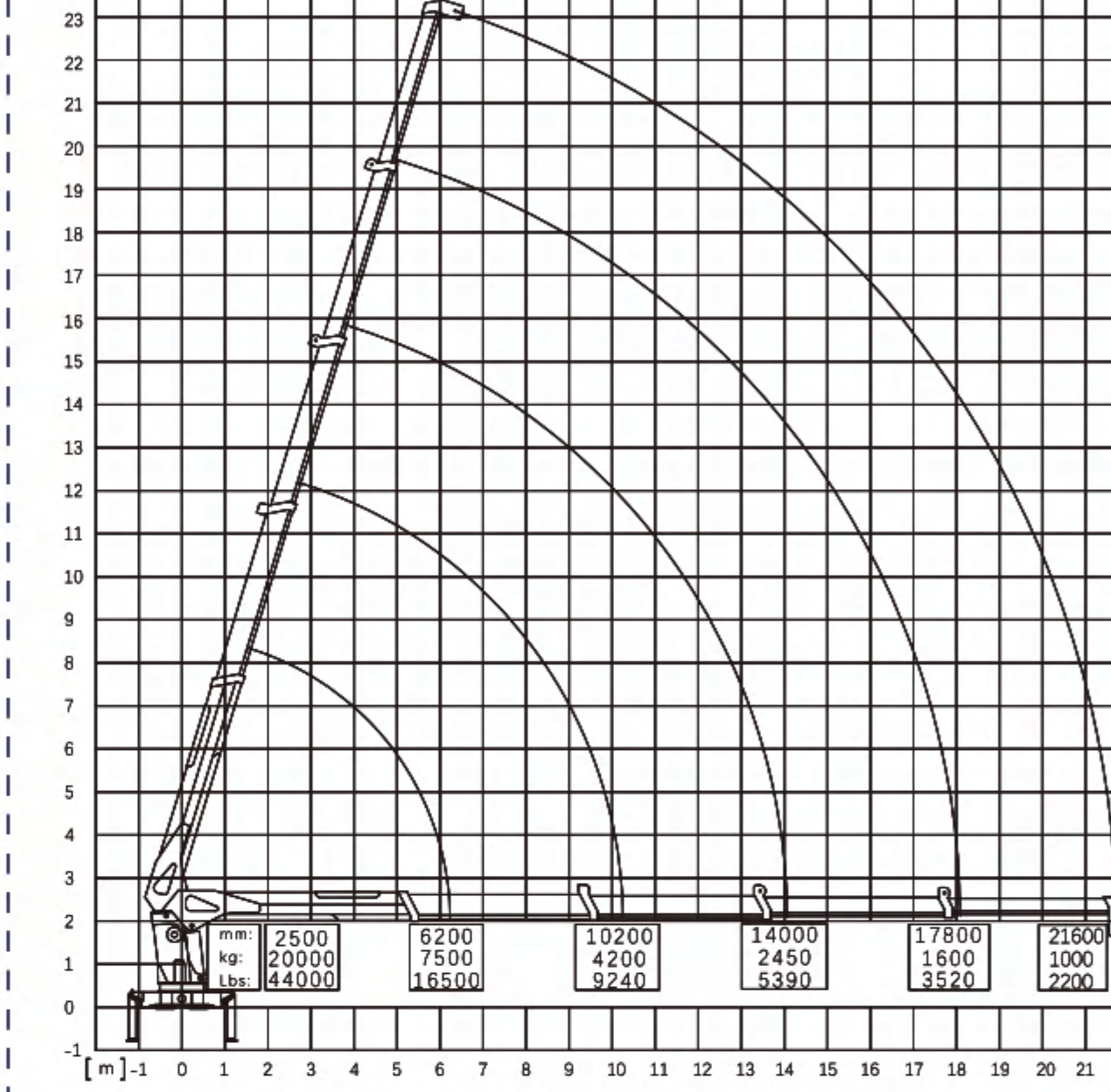
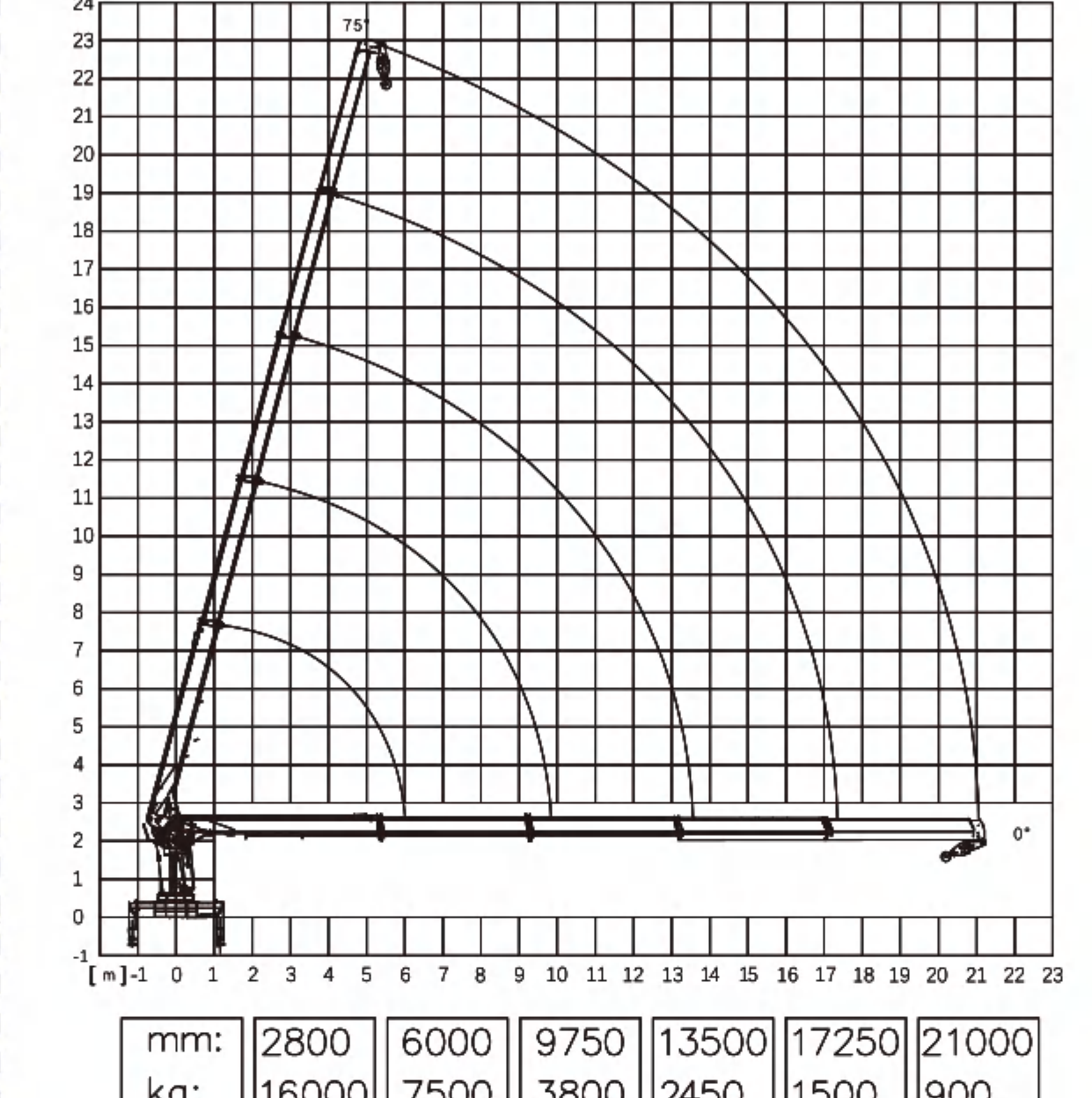
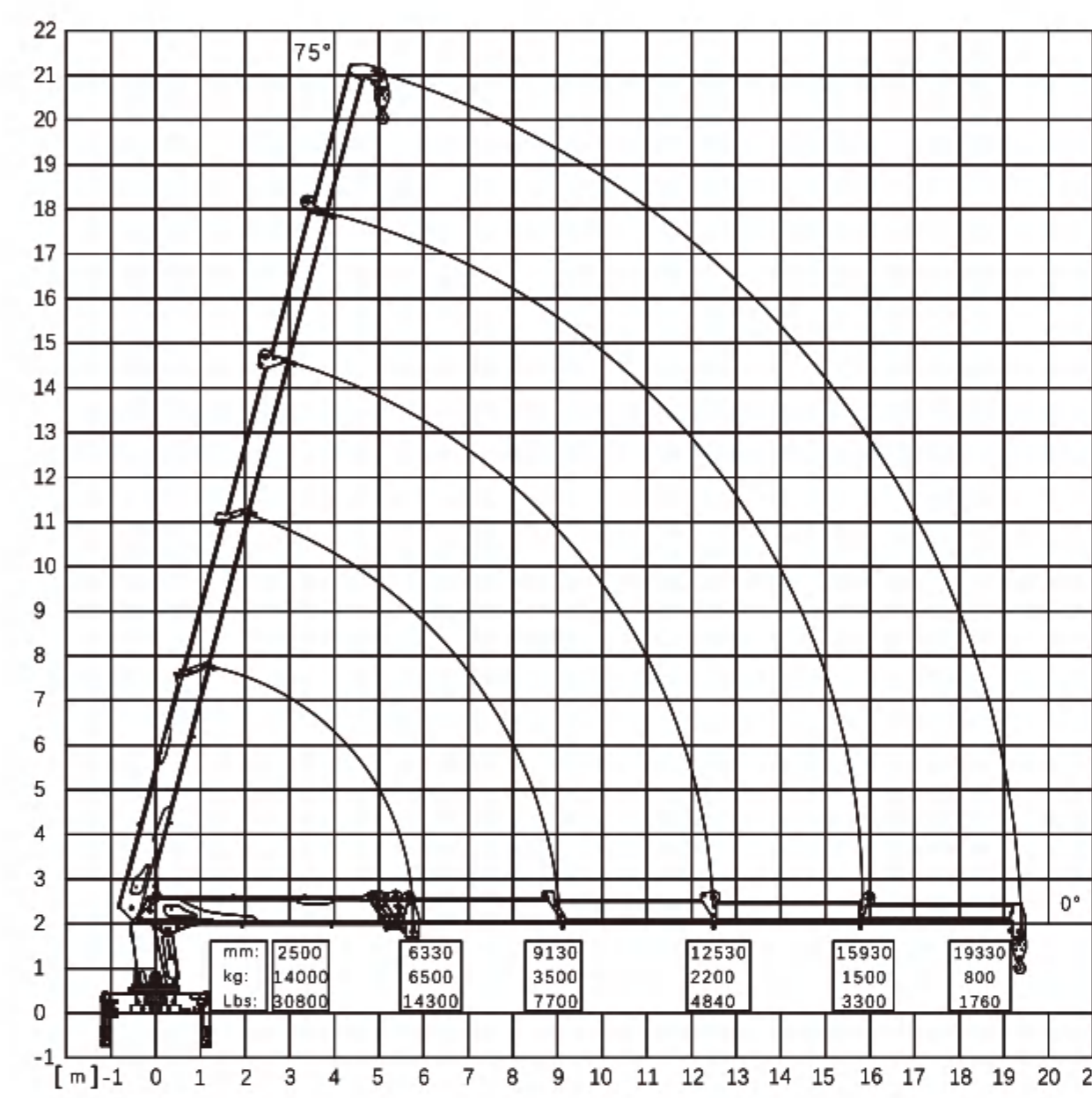
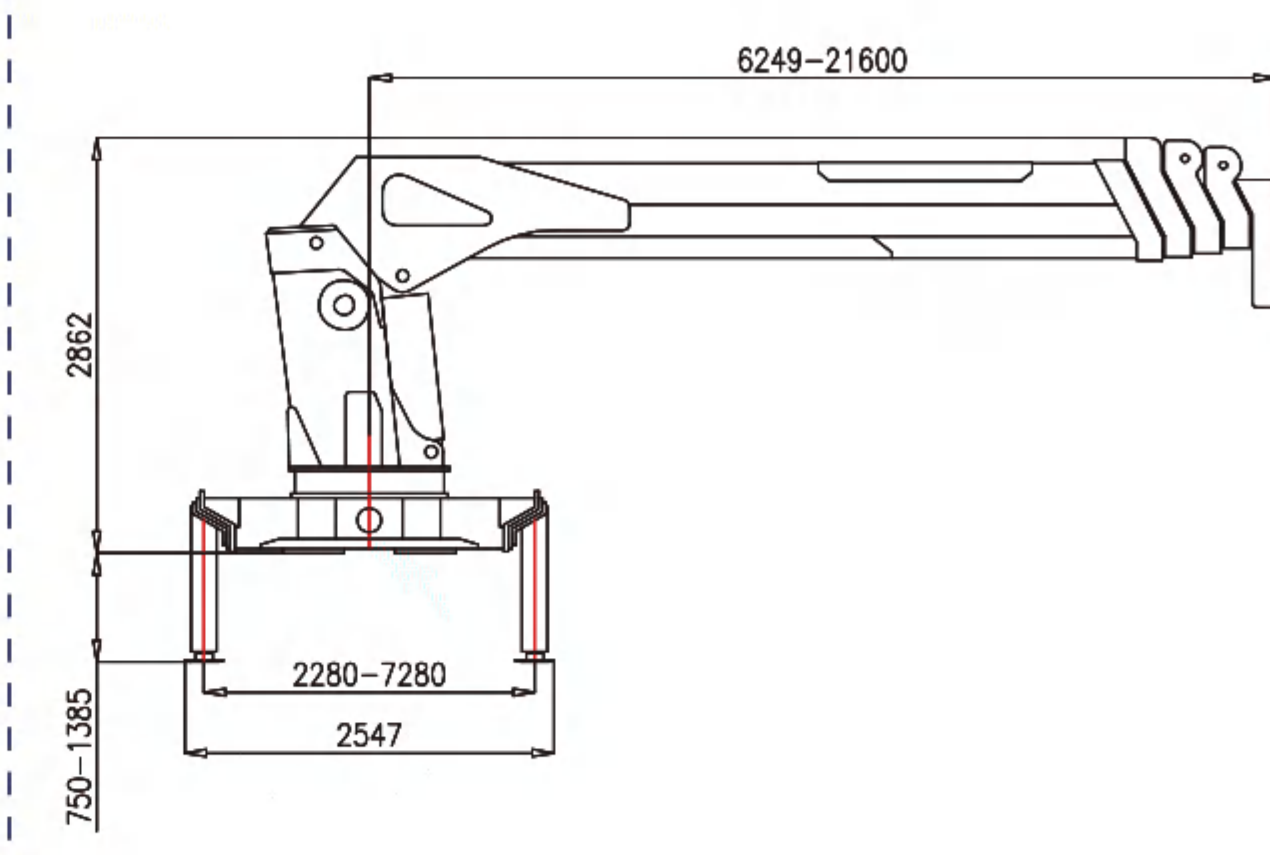
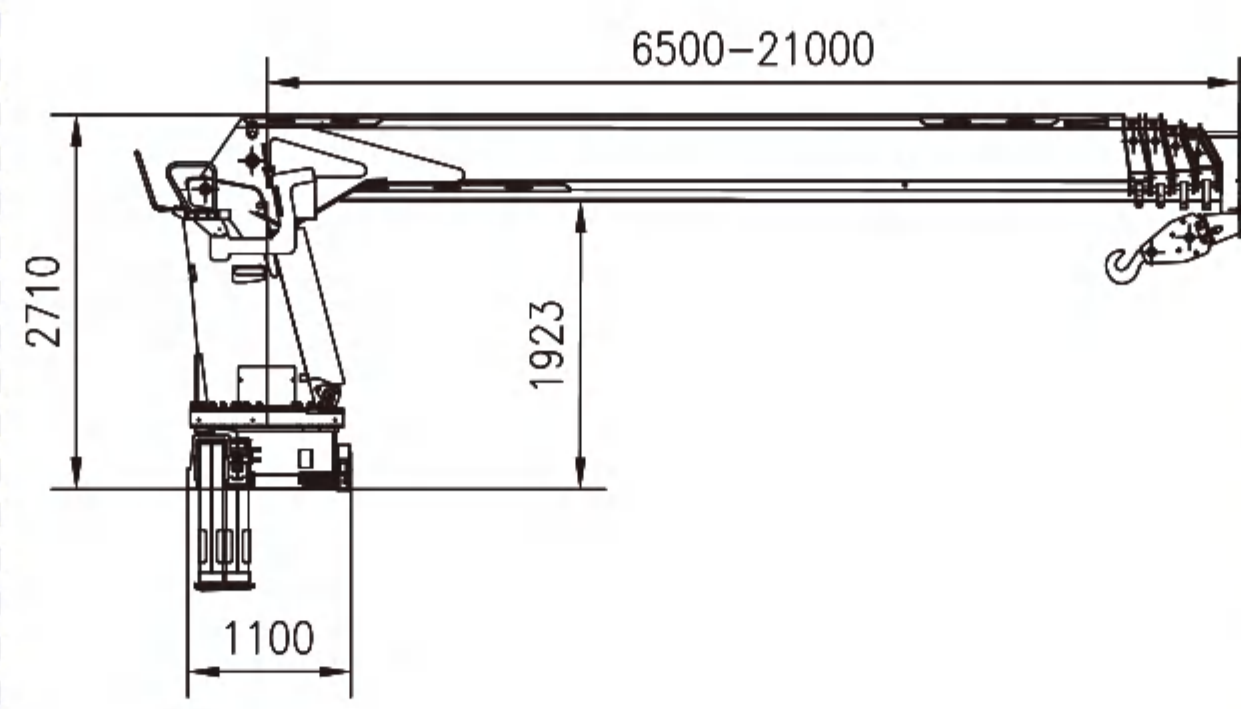
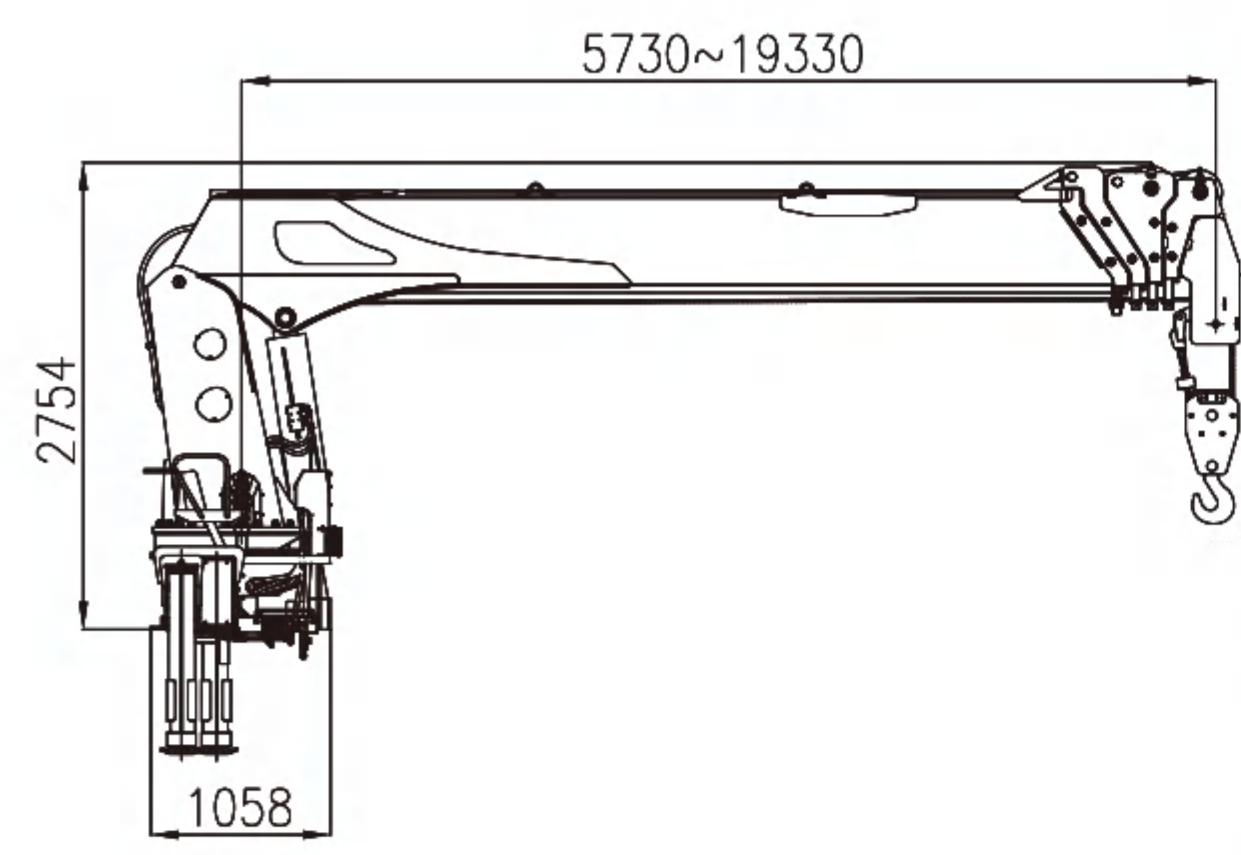
项目	Item	单位 Unit	TC8T4	TC8T5	TC10T4
最大起重质量	Max Lifting Capacity	Kg	8000	8000	10000
最大起重力矩	Max Lifting Moment	Ton.m	20	20	25
推荐功率	Recommend Power	KW	30	30	37
液压系统流量	Hydraulic System Flow	L/Min	63	63	80
液压系统压力	Hydraulic System Pressure	MPa	26	26	26
油箱容积	Oil Tank Capacity	L	160	160	200
安装空间	Installation Space	mm	1200	1200	1200
起重机自重	Self Weight	Kg	4100	4300	4500
回转角度	Rotation Angle	°	360°全回转	360°全回转	360°全回转

项目	Item	单位 Unit	TC10T5	TC12T4	TC12T5
最大起重质量	Max Lifting Capacity	Kg	10000	12000	12000
最大起重力矩	Max Lifting Moment	Ton.m	25	30	30
推荐功率	Recommend Power	KW	37	50	50
液压系统流量	Hydraulic System Flow	L/Min	80	100	100
液压系统压力	Hydraulic System Pressure	MPa	26	26	26
油箱容积	Oil Tank Capacity	L	200	260	260
安装空间	Installation Space	mm	1200	1200	1200
起重机自重	Self Weight	Kg	4600	4900	5200
回转角度	Rotation Angle	°	360°全回转	360°全回转	360°全回转

TC14T5

TC16T5

TC20T5



Boom Angle	boom length (m)			
	6.33	9.13	12.53	15.93
0°	6.33/6500	9.13/9500	12.53/2200	15.93/1500
10°	6.23/6500	8.99/9500	12.34/2200	15.69/1500
20°	5.95/6500	8.58/9500	11.77/2200	14.97/1500
30°	5.48/7000	7.91/2900	10.85/2400	13.9/1700
40°	4.85/7900	6.98/4600	9.62/2900	12.2/2000
50°	4.07/9400	5.87/5500	8.25/3000	10.24/2400
60°	3.17/13000	4.57/7400	6.27/4700	7.97/2100
70°	2.19/14000	3.12/11100	4.29/7400	5.45/2000
75°	1.64/14000	2.36/12700	3.24/9000	4.12/2500

Boom Angle	boom length (m)			
	6	9.75	13.5	17.25
0°	6/7500	9.75/2800	13.5/2450	17.25/1500
10°	5.91/7615	9.6/2853	13.29/2506	16.99/1538
20°	5.64/7846	9.18/4043	12.69/2629	16.21/1613
30°	5.29/815	8.44/4391	11.69/2852	14.94/1744
40°	4.96/834	7.47/4961	10.34/3231	13.21/1978
50°	3.90/11492	6.27/5811	8.68/3894	11.09/2253
60°	3/12000	4.88/7808	6.79/4958	8.65/3038
70°	2.05/16000	3.32/10900	4.82/7242	5.9/4425
75°	1.55/16000	2.52/15000	3.49/9470	4.46/5829

Boom Angle	boom length [m]			
	6.2	10.2	14	17.8
0°	6.20 / 7500	10.2 / 4200	14.0 / 2450	17.8 / 1600
10°	6.00 / 7500	10.0 / 4800	13.8 / 2700	17.5 / 1750
20°	5.80 / 8000	9.80 / 5000	13.2 / 2900	16.8 / 1880
30°	5.40 / 9000	8.80 / 6200	12.2 / 3000	15.4 / 1950
40°	4.70 / 10000	7.80 / 6400	10.6 / 3700	13.5 / 2200
50°	4.00 / 12500	6.50 / 7800	9.00 / 5500	11.4 / 2850
60°	3.00 / 17000	5.00 / 9800	7.00 / 6350	8.80 / 4100
70°	2.00 / 20000	3.50 / 12500	4.50 / 7800	6.00 / 4900
75°	1.95 / 20000	3.00 / 14000	4.00 / 8000	5.50 / 5200

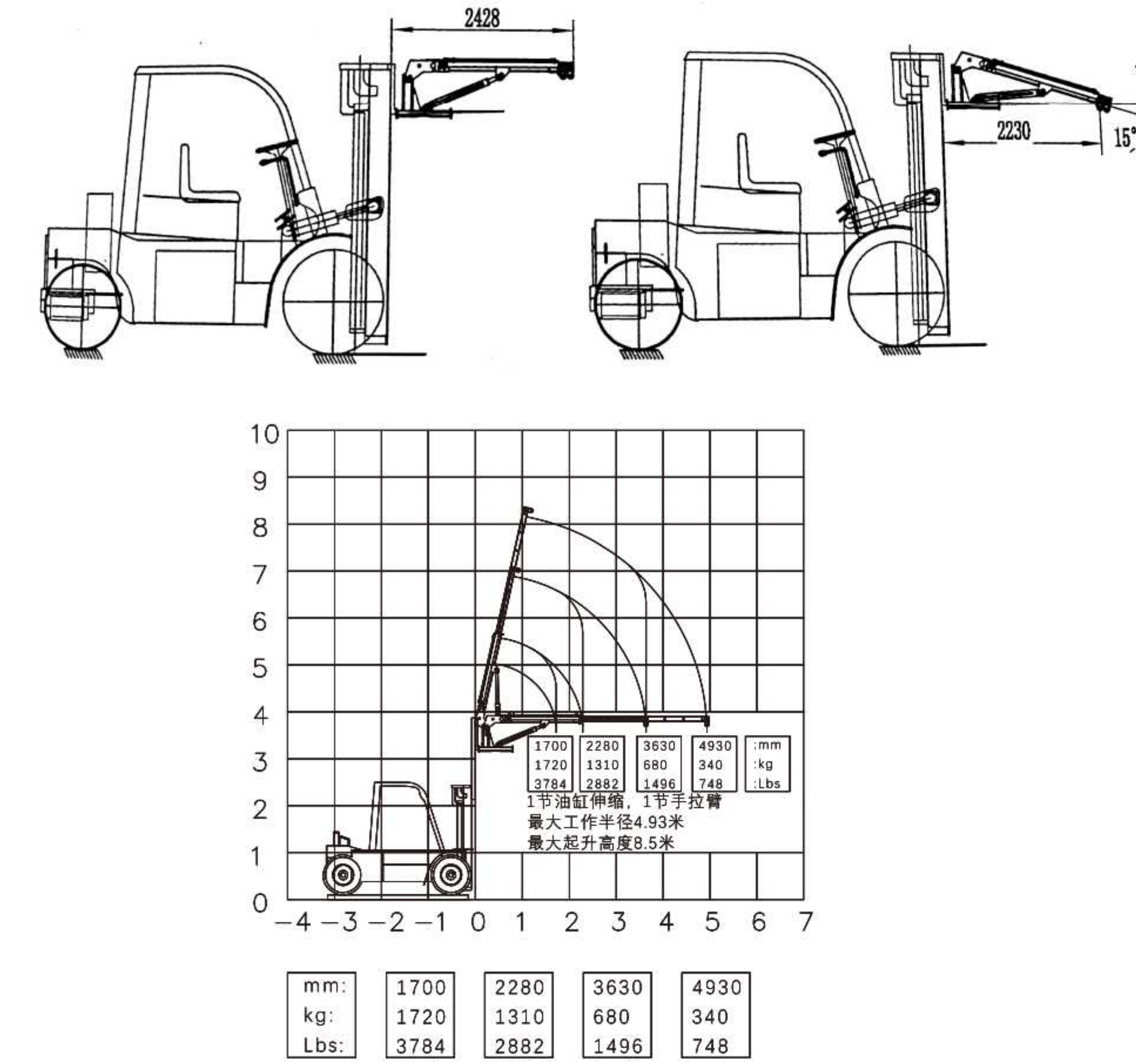
项目	Item	单位 Unit	TC14T5	TC16T5	TC20T5
最大起重质量	Max Lifting Capacity	Kg	14000	16000	200000
最大起重力矩	Max Lifting Moment	Ton.m	35	45	51
推荐功率	Recommend Power	KW	50	50	55
液压系统流量	Hydraulic System Flow	L/Min	100	100	120
液压系统压力	Hydraulic System Pressure	MPa	26	26	28
油箱容积	Oil Tank Capacity	L	260	260	240
安装空间	Installation Space	mm	1300	1300	1400
起重机自重	Self Weight	Kg	5600	7000	9800
回转角度	Rotation Angle	°	360°全回转	360°全回转	360°全回转



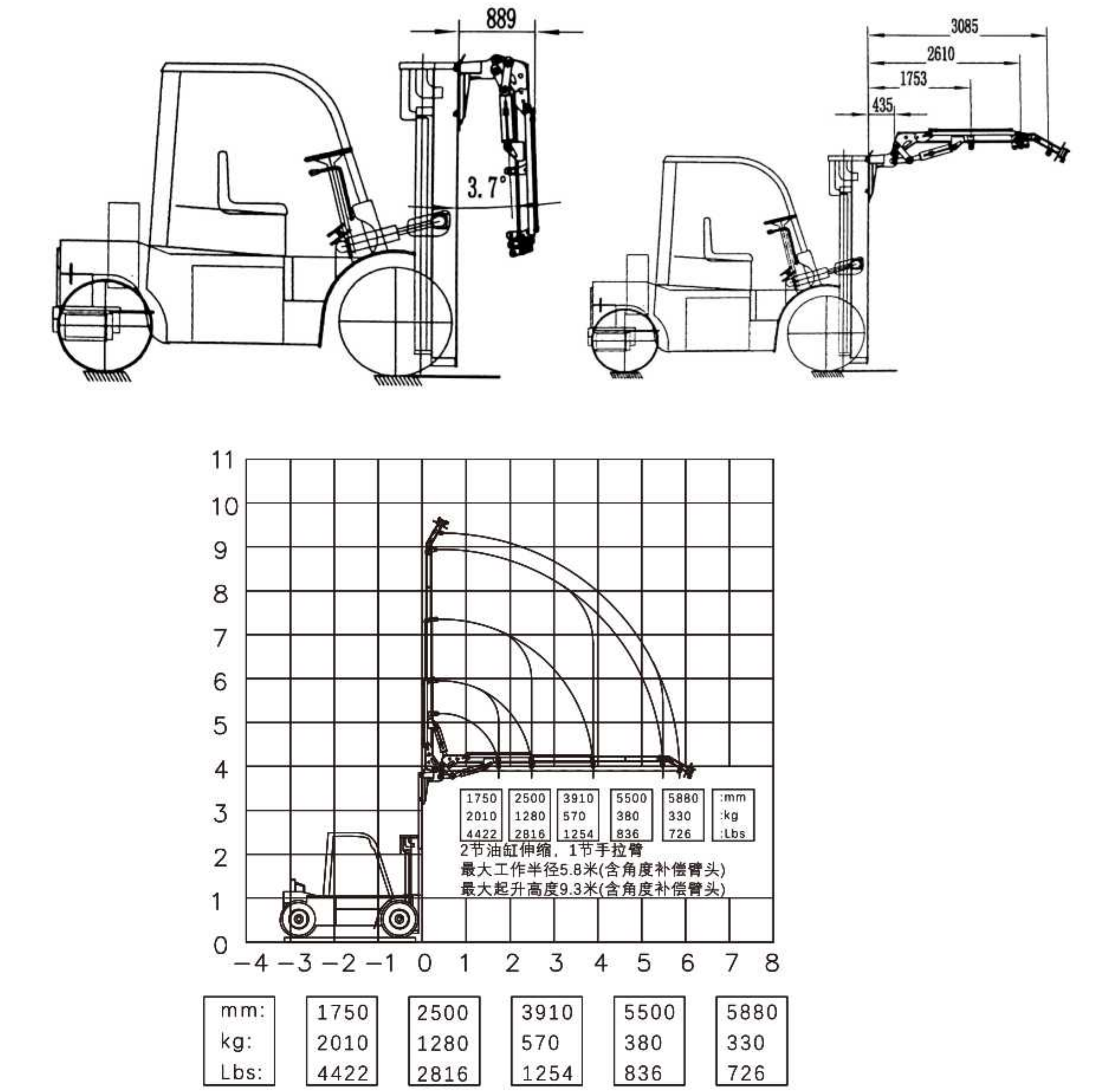
叉车吊 FORKLIFT CRANE



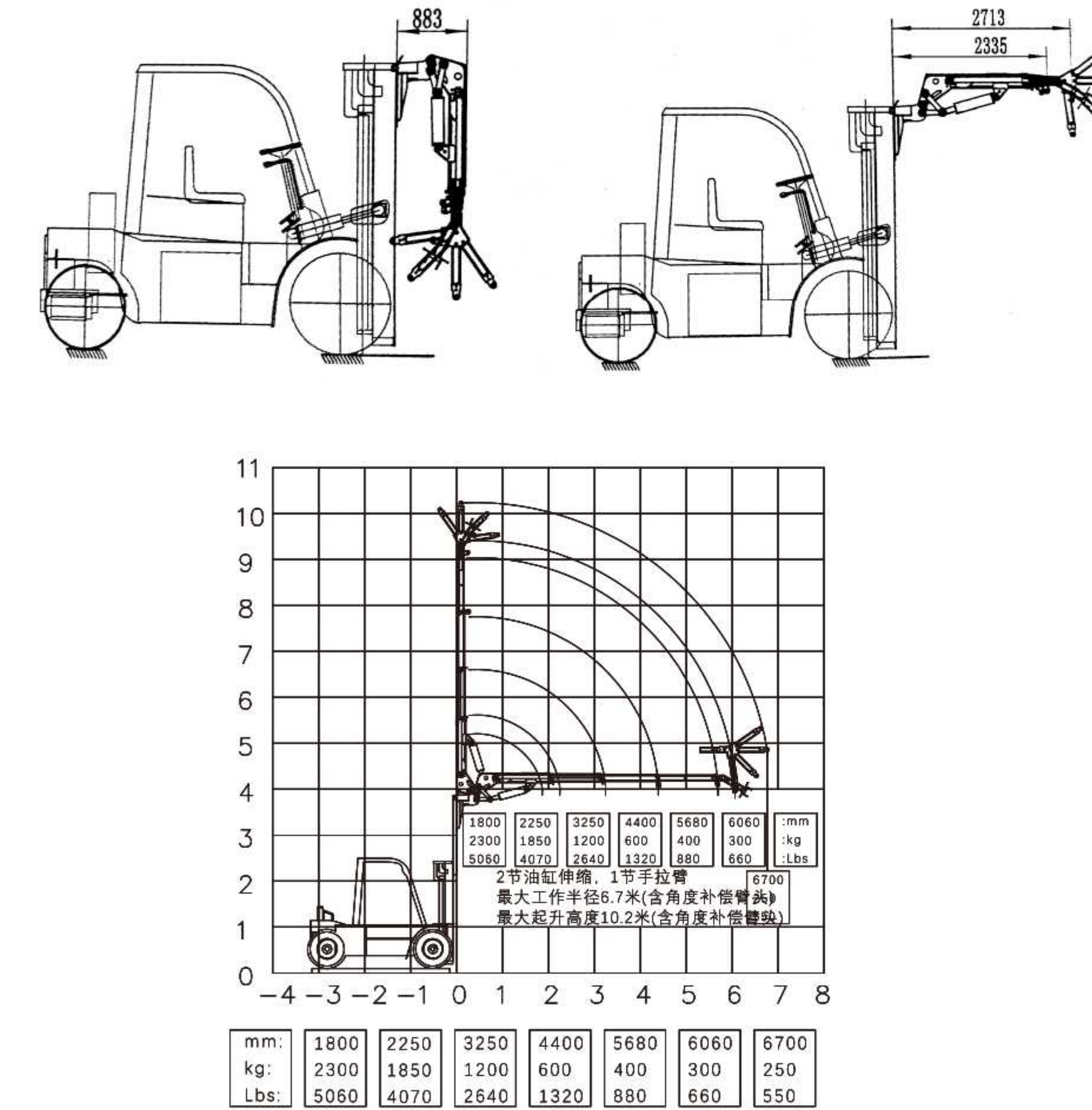
FC2J2+1



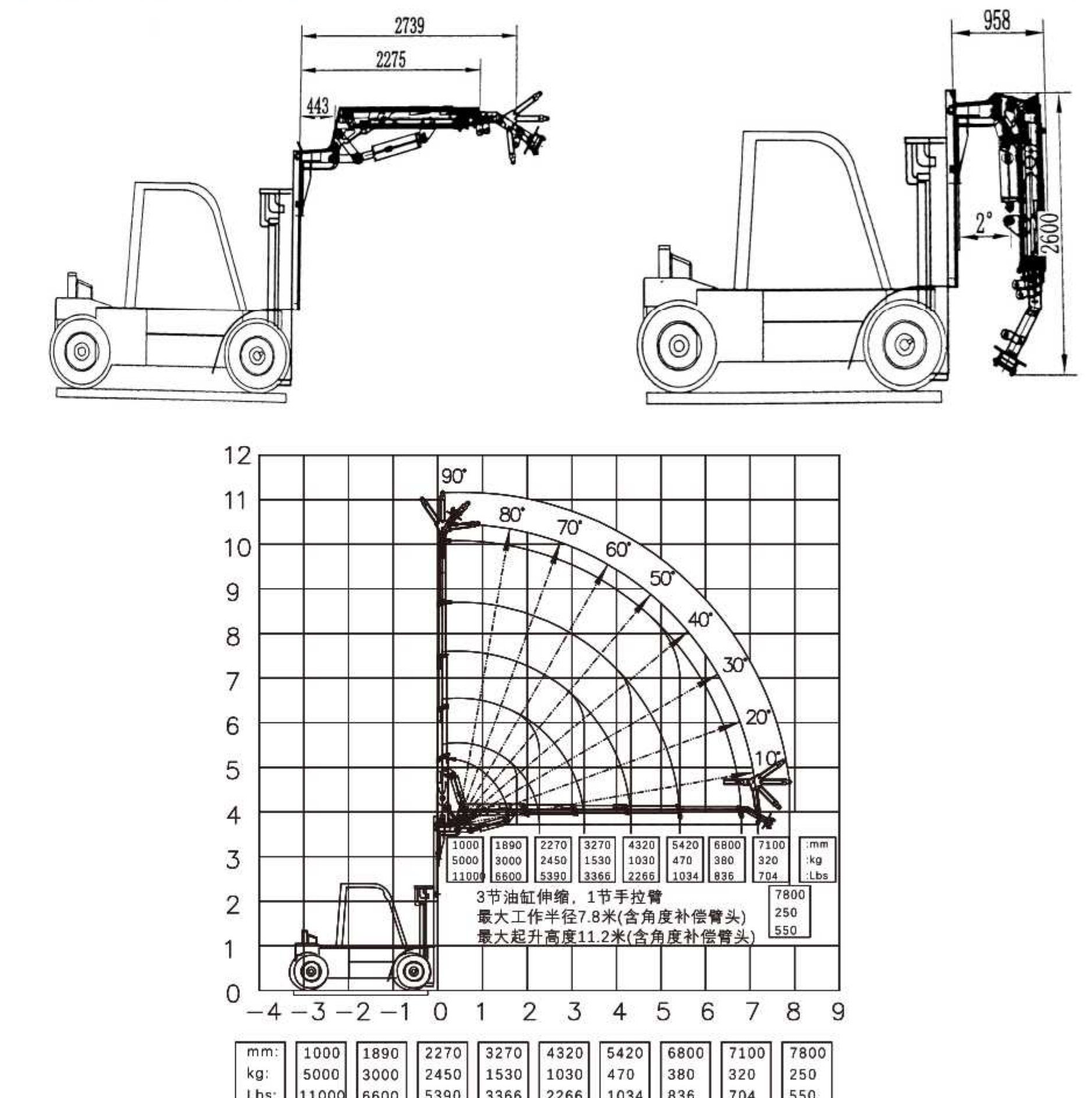
FC3J2+1



FC4J3+1



FC5J3+1

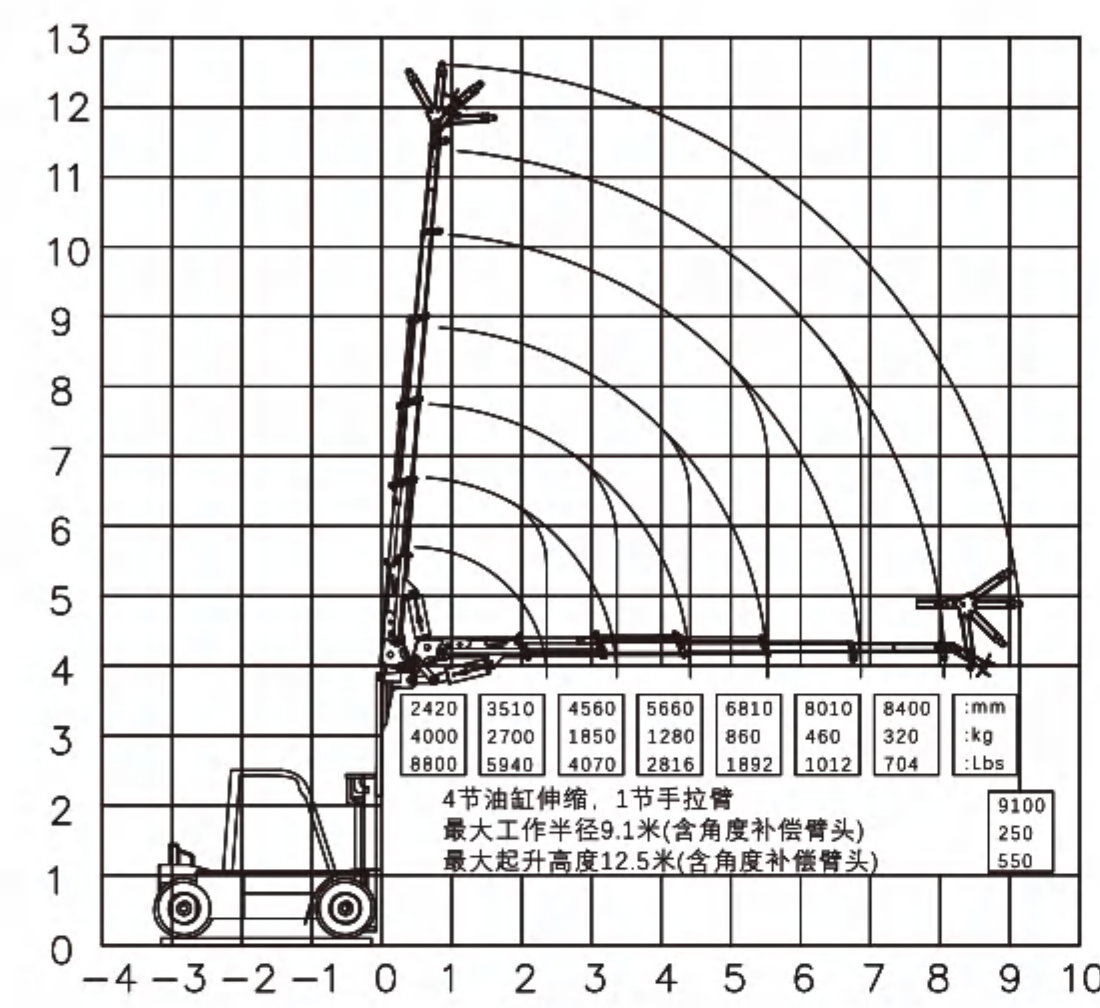
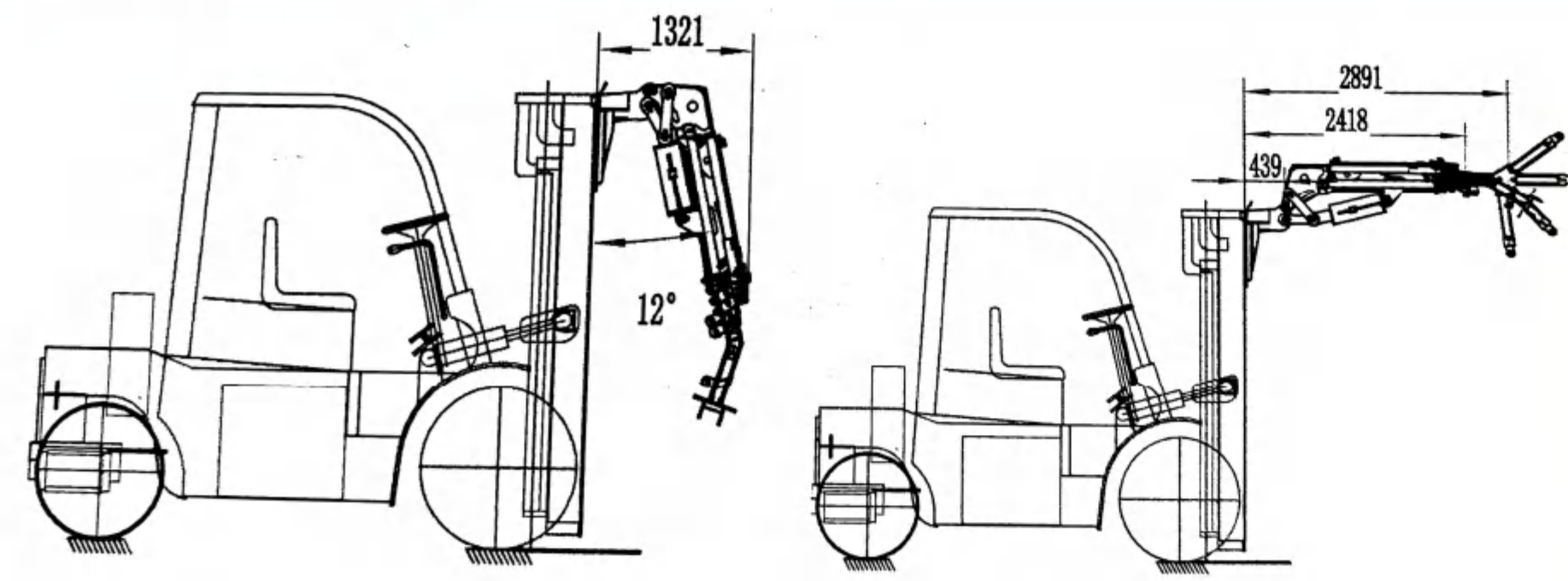


项目	Item	单位 Unit	FC2J2+1	FC3J2+1	FC4J3+1	FC5J3+1
最大起重质量	Max Lifting Capacity	Kg	1700	2010	2300	3000
最大起重力矩	Max Lifting Moment	KN.m	25	35	40	60
最大工作幅度	Max Working Range	Mm	4930	5880	6700	7800
最大起升高度	Max Lifting Height	Mm	8500(3M门架)	9300(3M门架)	10200(3M门架)	11200(3M门架)
		Mm	10000(4.5M门架)	10800(4.5M门架)	11700(4.5M门架)	12700(4.5M门架)
额定工作压力	Rated Working Pressure	MPa	20	20	20	20
额定流量	Rated Flow Rate	L/min	40	40	40	60
最小工作幅度	Min Operating Range	Mm	2230	1750	2250	2275
起重机质量	Crane Quality	Kg	330	425	520	730
匹配叉车	Matching Forklifts	T	2T 3T 5T	3T 5T 7T	3T 5T 7T	5T 7T

解放一体化随车抓钢机

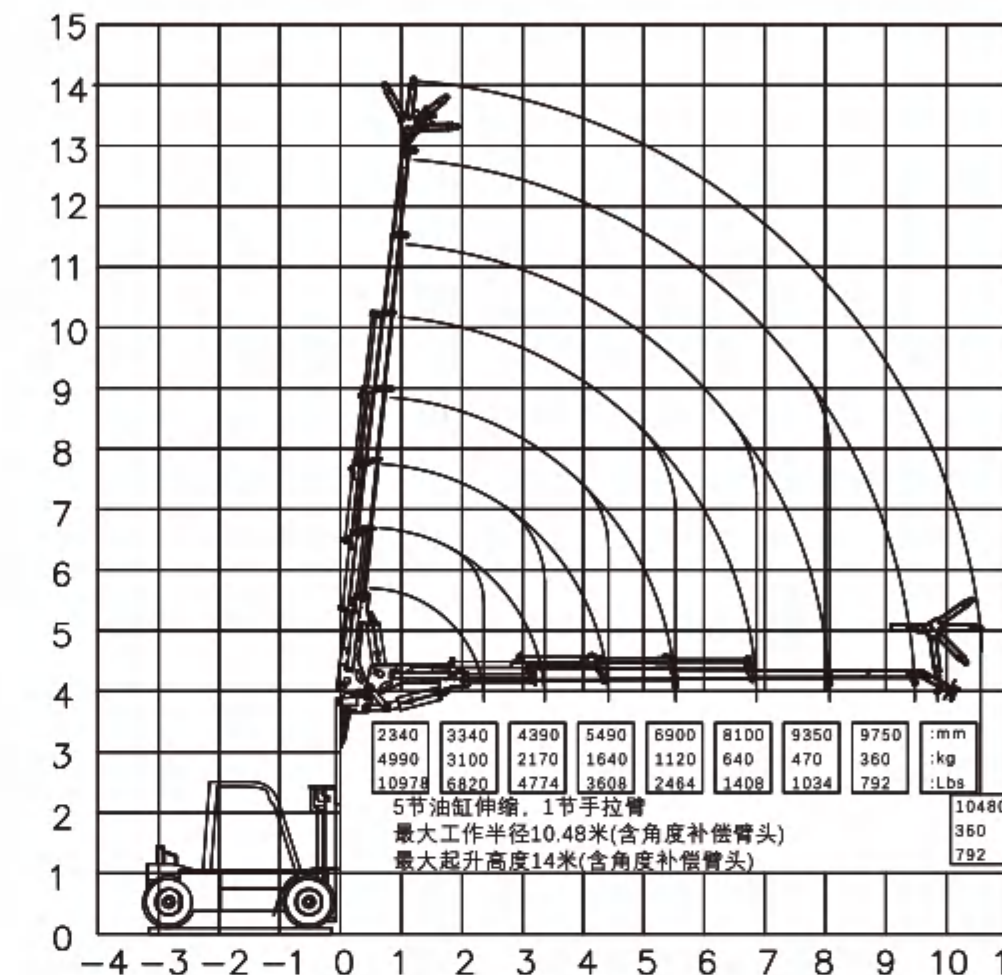
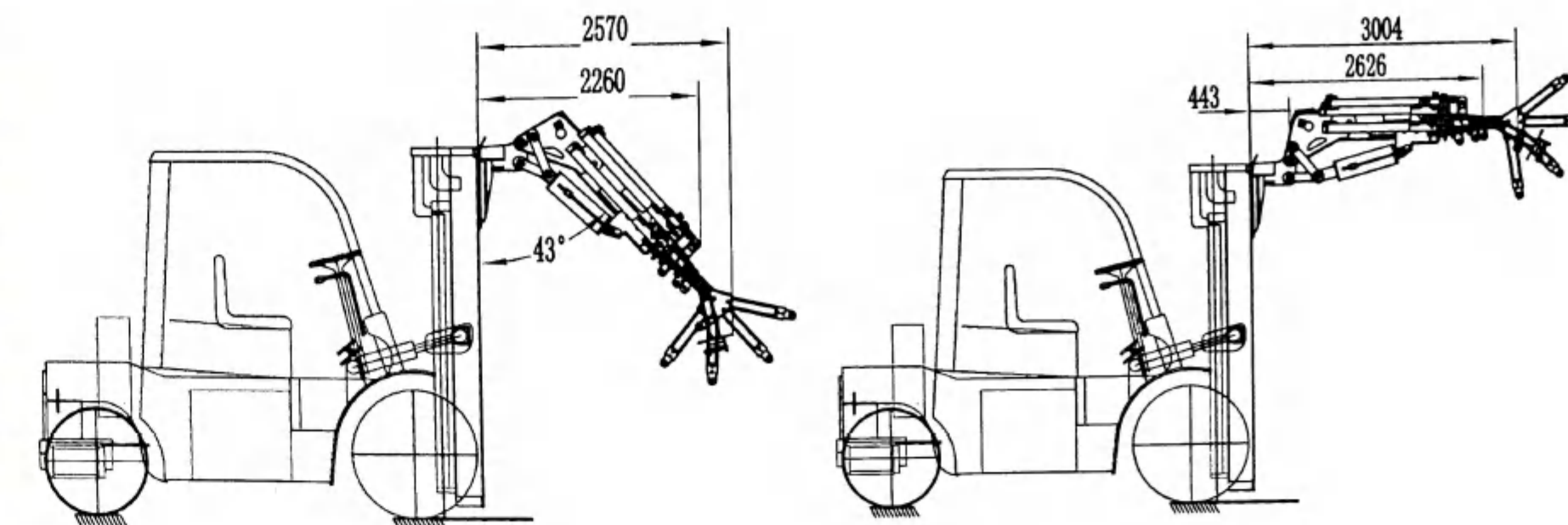
Jiefang Integrated Truck-Mounted Steel/Scrap grabbing Crane

FC6J4+1



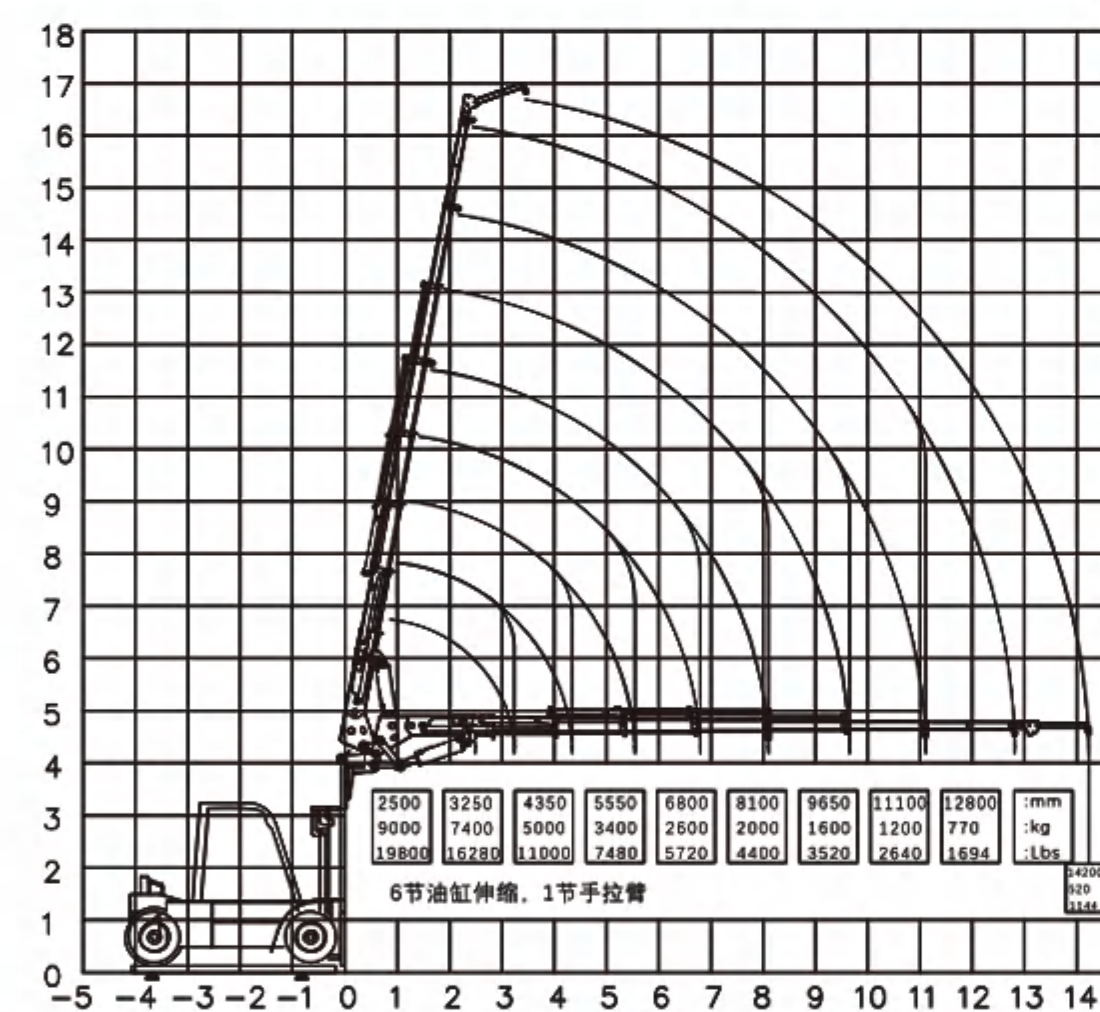
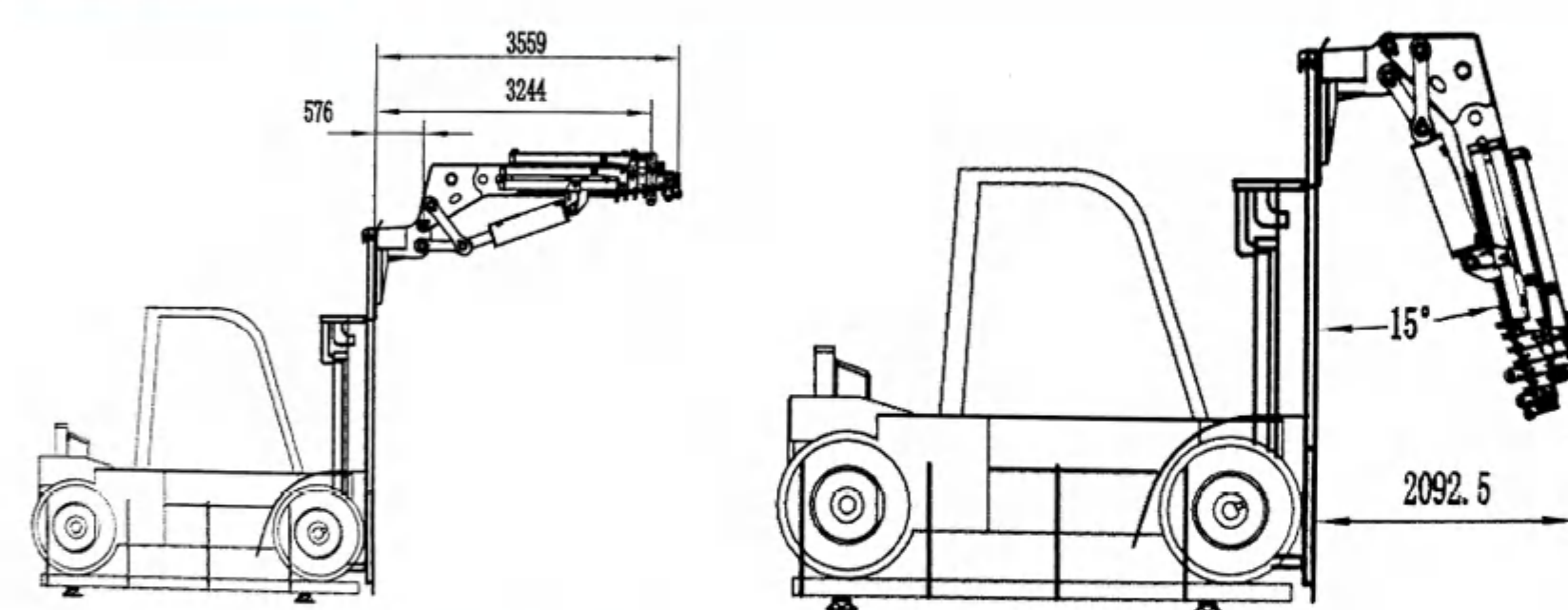
mm	2420	3510	4580	5660	6810	8010	9400	9100
kg	4000	2700	1850	1280	860	460	320	250
Lbs	8800	5940	4070	2816	1882	1012	704	550

FC5T5+1



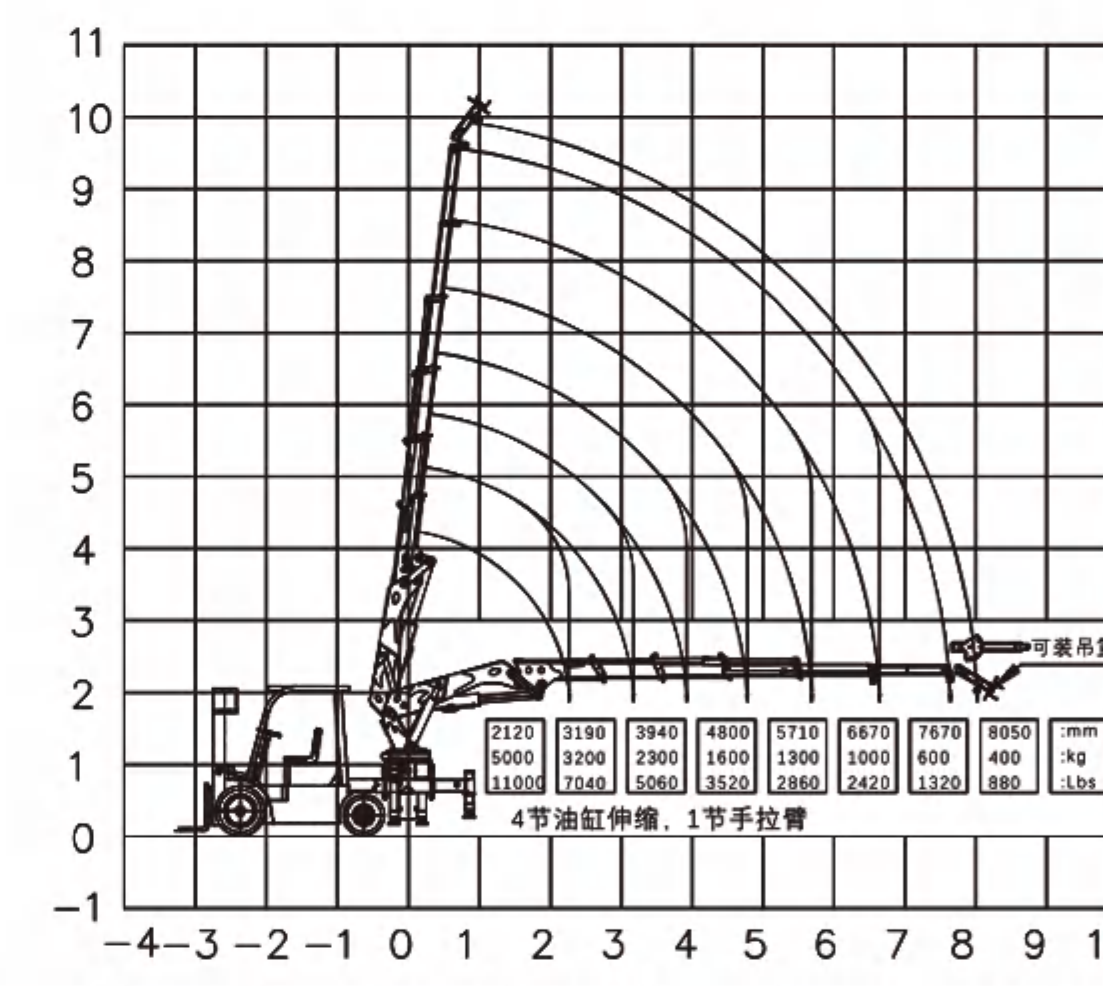
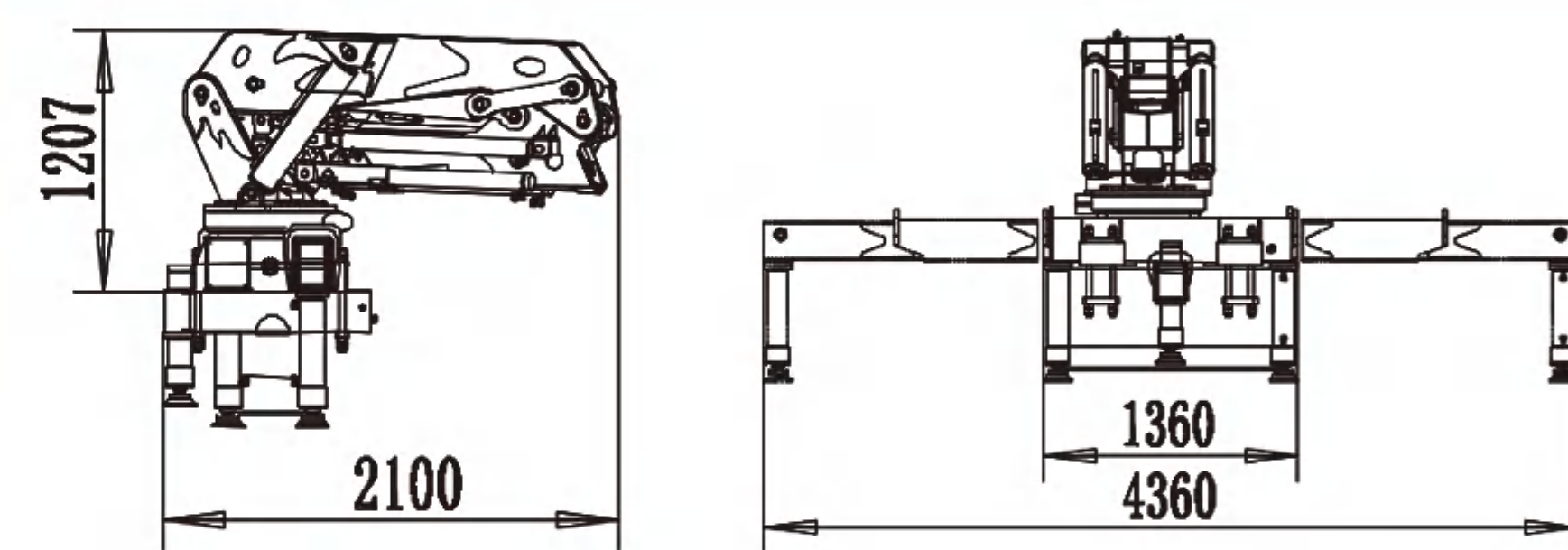
mm	2340	3340	4390	5490	6900	8100	9350	9750	10488
kg	4990	3100	2170	1640	1120	640	470	360	360
Lbs	11029	6820	4774	3598	2468	1408	1034	792	792

FC7J5+1



mm	2500	3200	4300	5500	6900	8100	9650	11100	12800	14200
kg	9000	7400	5300	3400	2600	2000	1600	1200	770	520
Lbs	19800	16280	11660	7480	5720	4400	3520	2640	1694	1144

FC10J7+1



mm	2120	3190	3940	4800	5710	6670	7670	8050
kg	5000	3200	2300	1600	1300	1000	600	400
Lbs	11000	7040	5060	3520	2860	2420	1320	880

项目	Item	单位 Unit	FC6J4+1	FC5T5+1	FC7J5+1	FC10J7+1
最大起重质量	Max Lifting Capacity	Kg	4000	4990	9000	5000
最大起重力矩	Max Lifting Moment	KN.m	100	117	210	110
最大工作幅度	Max Working Range	Mm	9100	10480	14220	8050
最大起升高度	Max Lifting Height	Mm	12500(3M门架)	14000(3M门架)	16190(3.5M门架)	10000(3吨叉车)
			14000(4.5M门架)	15500(4.5M门架)	17690(4.5M门架)	
额定工作压力	Rated Working Pressure	MPa	20	20	20	20
额定流量	Rated Flow Rate	L/min	60	60	80	60
最小工作幅度	Min Operating Range	Mm	2418	2630	3710	2120
起重机质量	Crane Quality	Kg	880	1201	2100	2100
匹配叉车	Matching Forklifts	T	5T 7T	5T 7T	10T 12T	3T 3.5T 5T

产品介绍/Product introduction

车载式随车抓钢(料)机运输车是一种安全高效专用装卸运输车,适用于资源回收、钢铁、纸屑、林业、危险品等行业,减轻人力的短缺和上下装卸强度,提高装卸车效率、节省时间和人力,快速装卸转场。

产品选用中国一汽解放底盘,发动机功率大,油耗低,性能稳定可靠。解放售后4S服务站数量多,区域广泛(200公里内)。

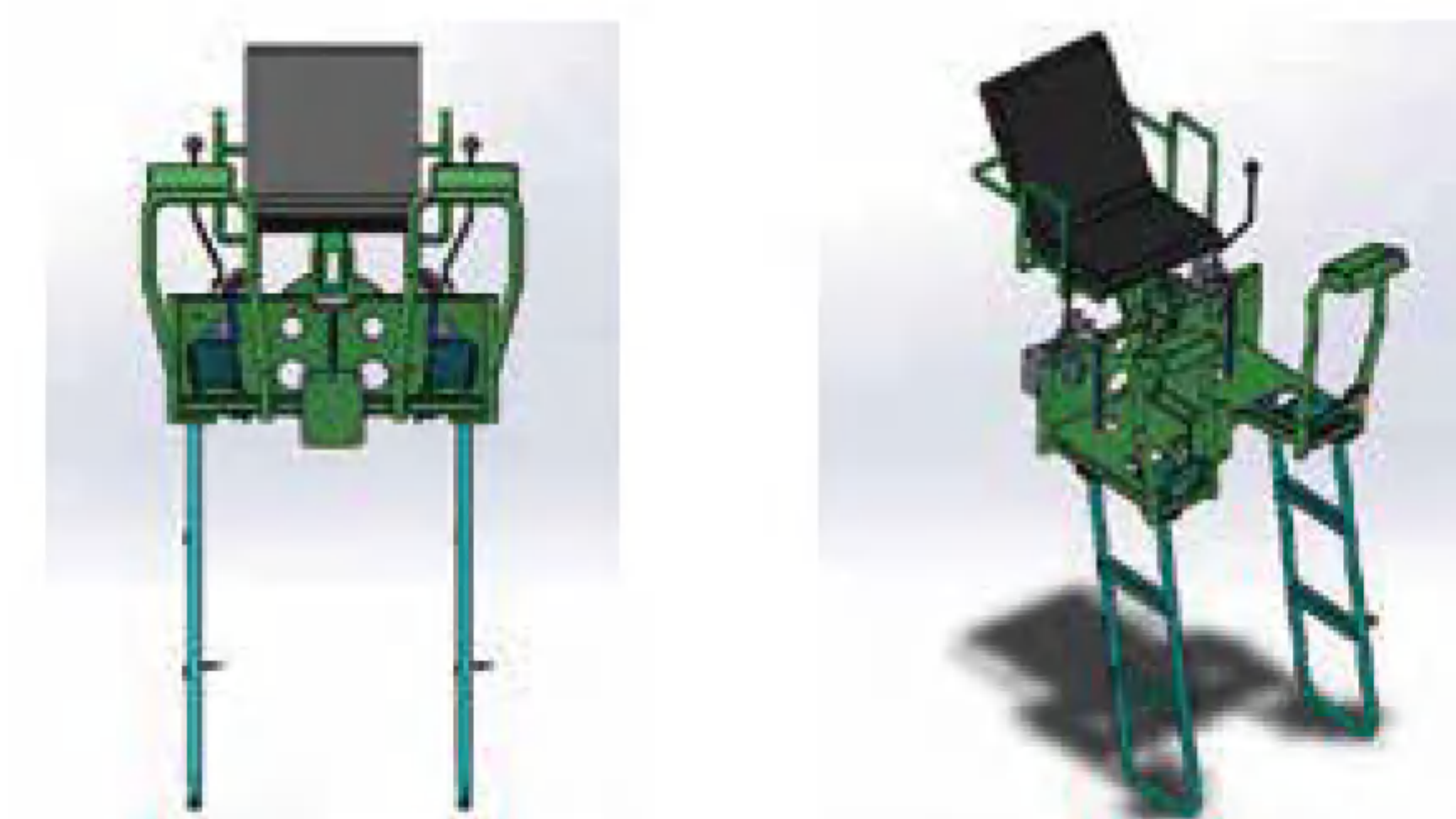
产品应用/Product application

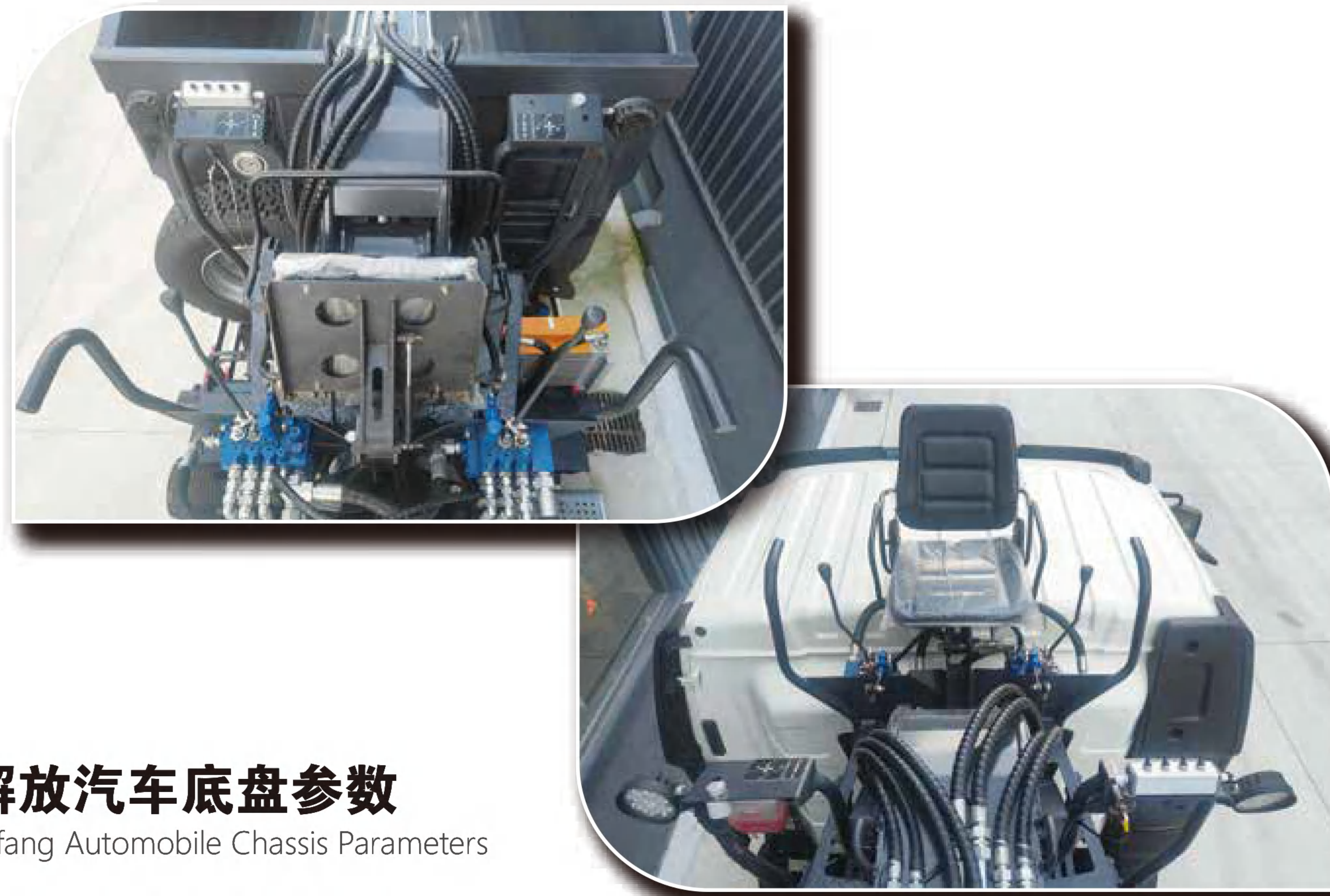


产品优势/Product advantages

- 抓钢机引进国外技术,结构紧凑,整机自重轻,设计合理美观。
- 控制系统:抓钢机采用负载敏感多路控制阀,可以实现多个动作同时复合联动动作,操控性更好,抓起取更准确,大大提高装卸效率,节省费用。
- 油泵:抓钢机采用进口斜轴式柱塞油泵,工作稳定,效率高,使用寿命长。
- 抓钢机回转采用双齿条油缸,扭矩大,回转平稳,耐冲击性更好,使用寿命长,维修保养更方便。
- 抓钢机液压夹具采用六瓣形式,带360°连续回转,夹具开口大,圆弧外形减少夹具与废铁阻力,抓齿位置增加耐磨钢,六瓣半封闭抓斗可以轻松抓取大件和散料小件,使抓取更省力,使用寿命更长。同时抓具油缸采用内置安装,防止碰撞,防护更好。
- 抓钢机支腿采用方箱式,工作时支腿抗扭性更强,更好保护汽车大梁和整车稳定性,保证安全。

操作系统/Operating system





解放汽车底盘参数

Jiefang Automobile Chassis Parameters

解放一体化抓钢机（单桥）

总质量 (Kg)	18000	外形尺寸 (mm)	9000x2550x3950	发动机	大柴240马力	轴荷	前桥5吨 后桥10吨
额定载质量 (Kg)	6500	货箱尺寸 (mm)	5950x2450x600	变速箱	法士特8档 (高低档)	大梁	288大梁 (通三层)
整备质量 (Kg)	11500	驾驶室准乘人数	2	轮胎	10:00R20钢丝胎	自动空调	空气减震座椅

解放一体化抓钢机（后双桥）

总质量 (Kg)	25000	外形尺寸 (mm)	12000x2550x3970	发动机	大柴280马力	轴荷	前桥5.5吨 后双桥11.5吨
额定载质量 (Kg)	9870	货箱尺寸 (mm)	8450x2450x600	变速箱	法士特10档 (高低档)	大梁	312大梁 (通三层)
整备质量 (Kg)	15000	驾驶室准乘人数	3	轮胎	11:00R20钢丝胎	自动空调	空气减震座椅

解放一体化抓钢机（前四后八）

总质量 (Kg)	31000	外形尺寸 (mm)	12000x2550x3980	发动机	大柴320马力	轴荷	6500/6500/18000
额定载质量 (Kg)	14370	货箱尺寸 (mm)	8450x2450x600	变速箱	法士特10档 (高低档)	大梁	312大梁 (通三层)
整备质量 (Kg)	16000	驾驶室准乘人数	3	轮胎	11:00R20钢丝胎	自动空调	空气减震座椅

解放一体化抓钢机（出口国五后双桥）

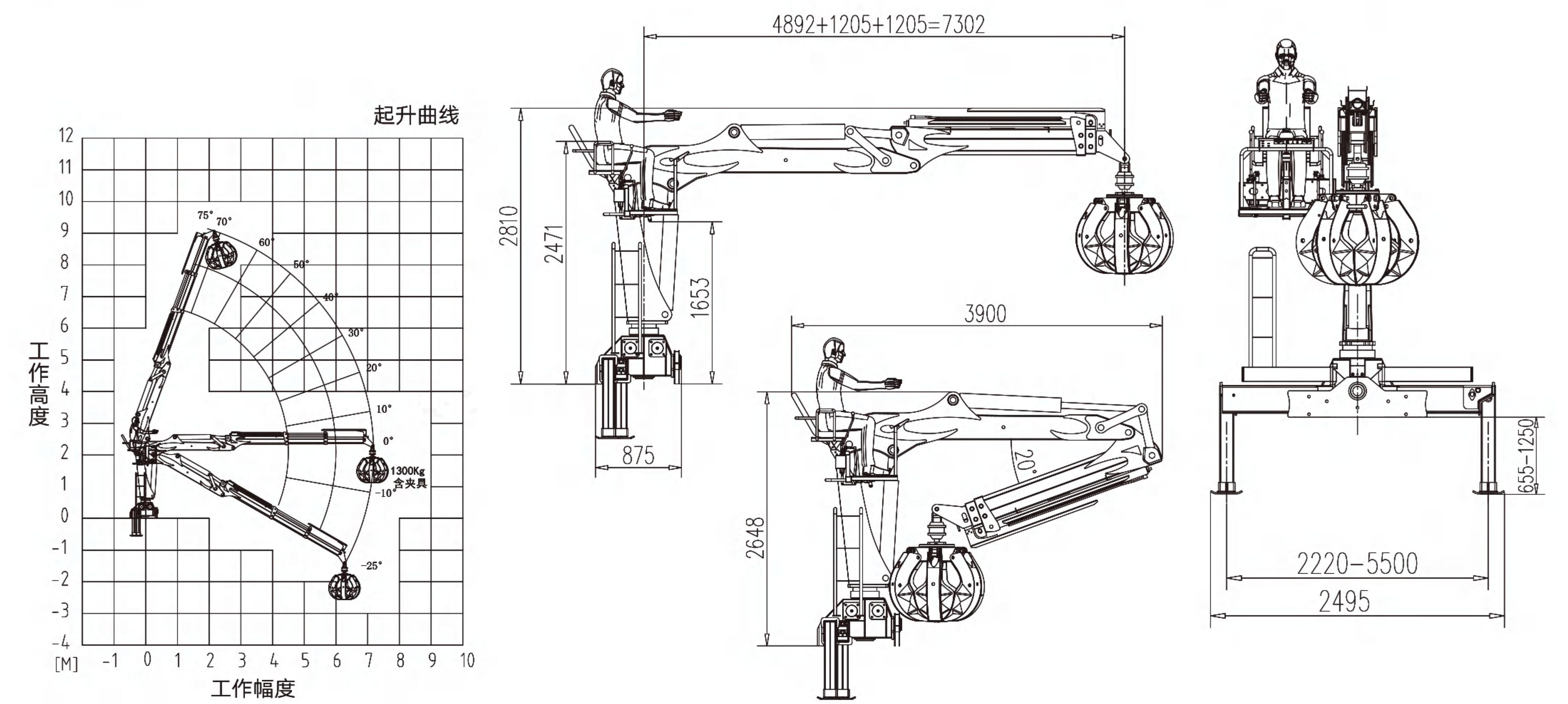
总质量 (Kg)	25000	外形尺寸 (mm)	9696x2504x	发动机	大柴375马力	轴荷	前桥5.5吨后双桥11.5吨
额定载质量 (Kg)	6740	货箱尺寸 (mm)	5650x2300x2100	变速箱	法士特12档 (高低档)	大梁	312大梁 (通三层)
整备质量 (Kg)	18260	驾驶室准乘人数	3	轮胎	11:00R20钢丝胎	自动空调	空气减震座椅

GS系列抓钢（料）机参数

gs series steel (material) machine parameters

GS1.3T-7.3M 外型尺寸图 作业曲线图

最大起重量 (含夹具)	1300 Kg	油箱容积	160 L
最大起重力矩	12 Ton.m	回转角度	380°
推荐功率	25 KW	起重机自重	2250 Kg
液压系统流量	60 L/Min	安装空间	900 mm
液压系统压力	27 Mpa		

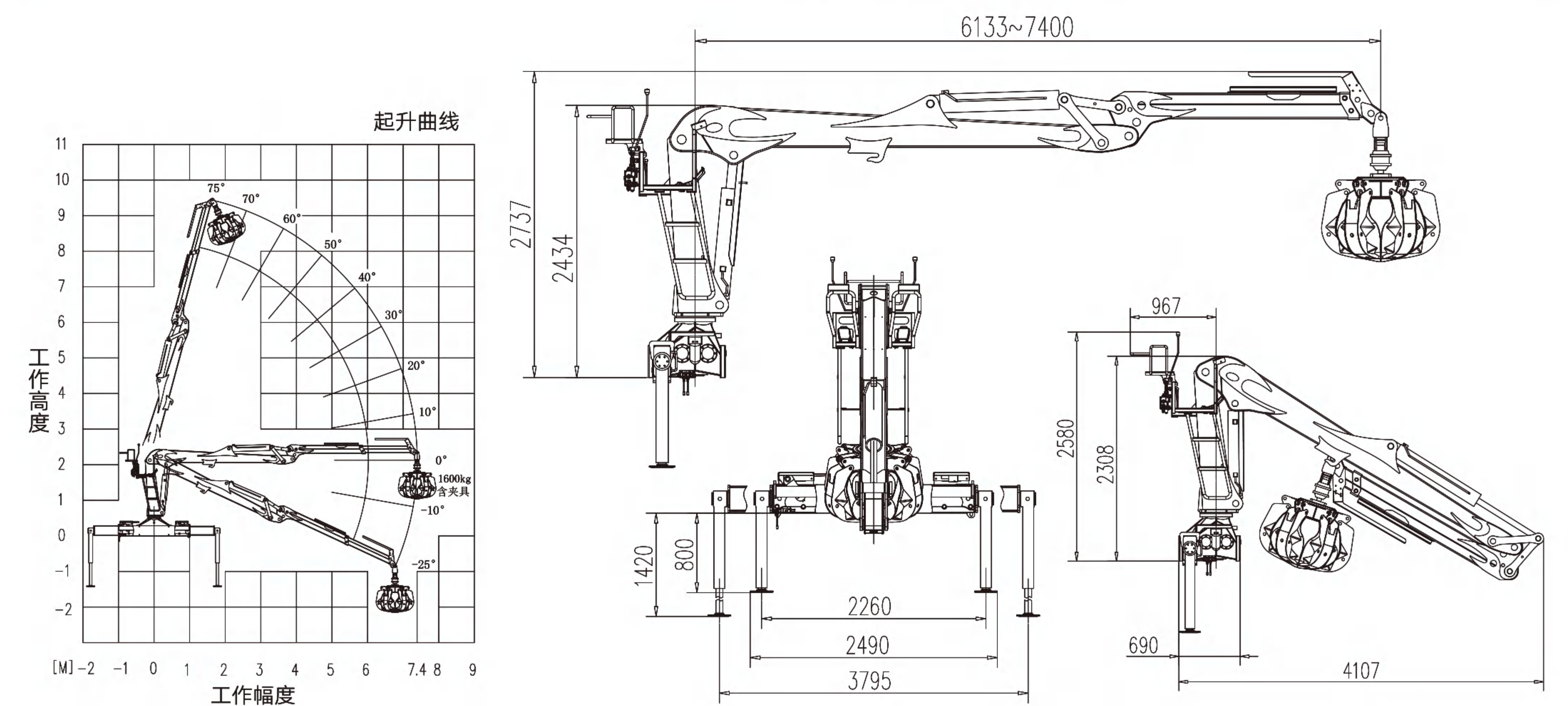


GS系列抓钢（料）机参数

gs series steel (material) machine parameters

GS1.6T-7.4M 外型尺寸图 作业曲线图

最大起重量 (含夹具)	1600 Kg	油箱容积	250 L
最大起重力矩	15 Ton.m	回转角度	380°
推荐功率	40 KW	起重机自重	2500 Kg
液压系统流量	80 L/Min	安装空间	850 mm
液压系统压力	26 Mpa		

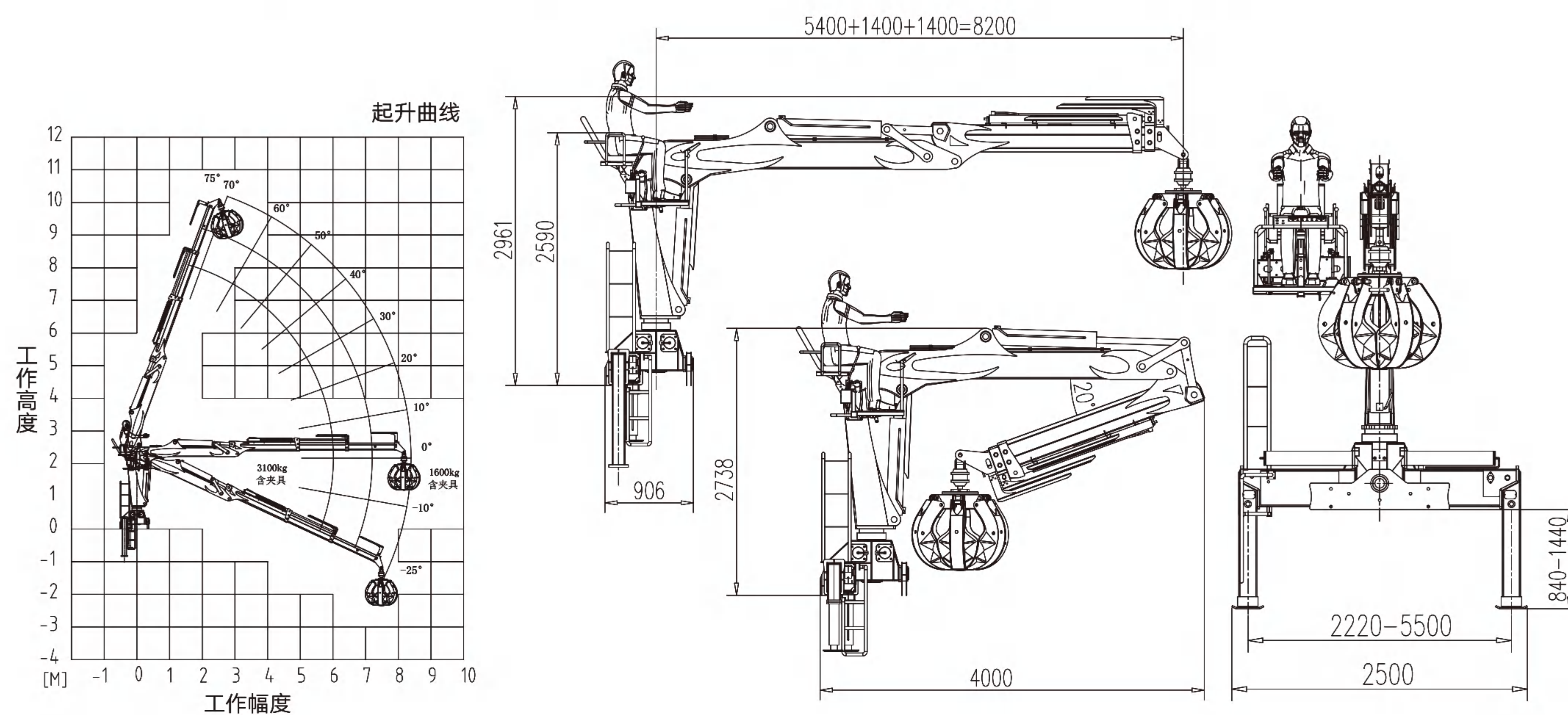


GS 系列抓钢 (料) 机参数

gs series steel (material) machine parameters

最大起重量 (含夹具)	1600 Kg	油箱容积	220 L
最大起重力矩	16 Ton.m	回转角度	380°
推荐功率	45 KW	起重机自重	3200 Kg
液压系统流量	80 L/Min	安装空间	1000 mm
液压系统压力	28 Mpa		

GS1.6T-8.2M 外型尺寸图 作业曲线图

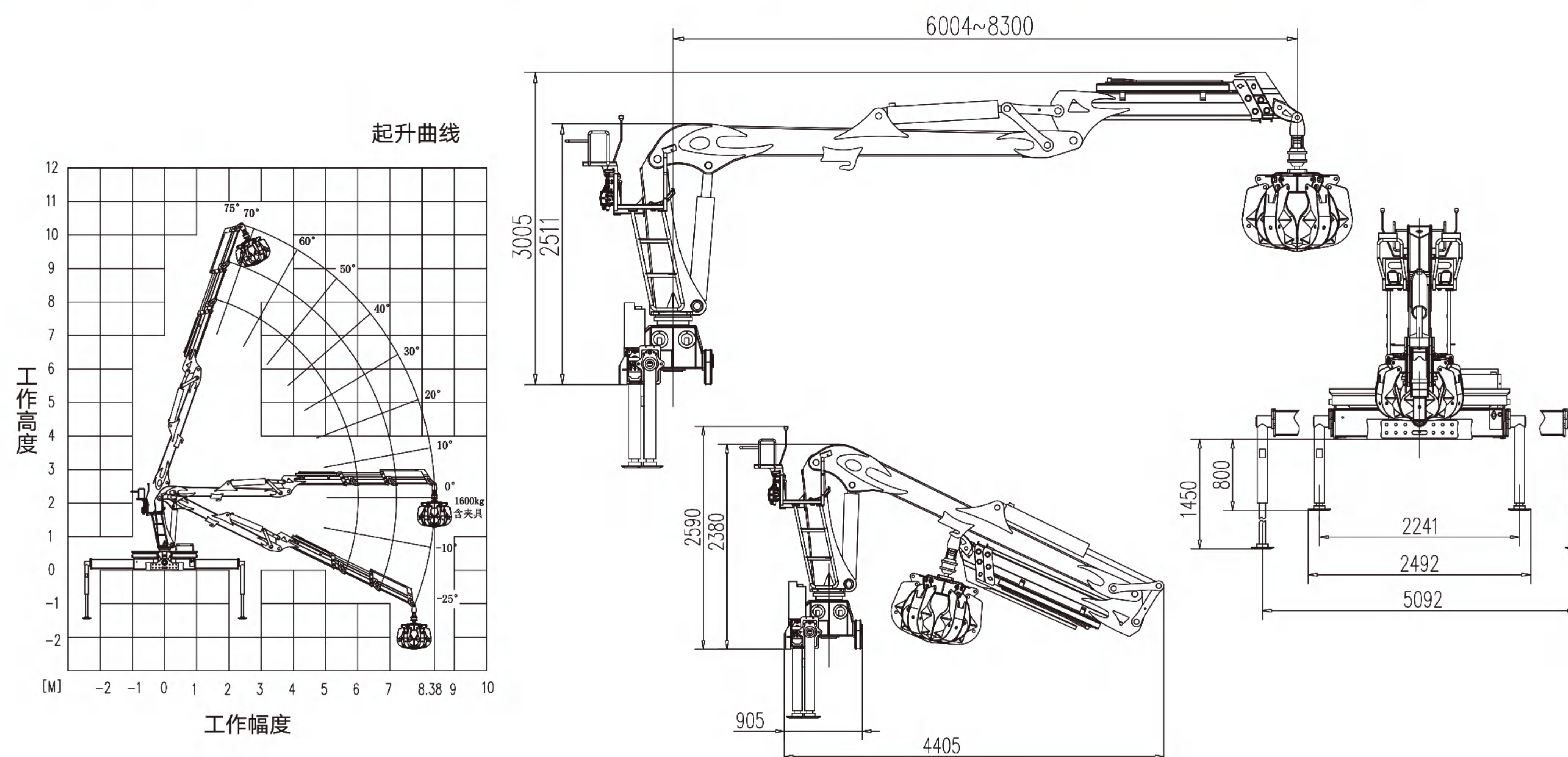


GS 系列抓钢 (料) 机参数

gs series steel (material) machine parameters

最大起重量 (含夹具)	1600 Kg	油箱容积	250 L
最大起重力矩	16 Ton.m	回转角度	380°
推荐功率	45 KW	起重机自重	2750 Kg
液压系统流量	80 L/Min	安装空间	850 mm
液压系统压力	28 Mpa		

GS1.6T-8.3M 外型尺寸图 作业曲线图



鹅颈式固定抓钢机

gooseneck fixed grabbing machine

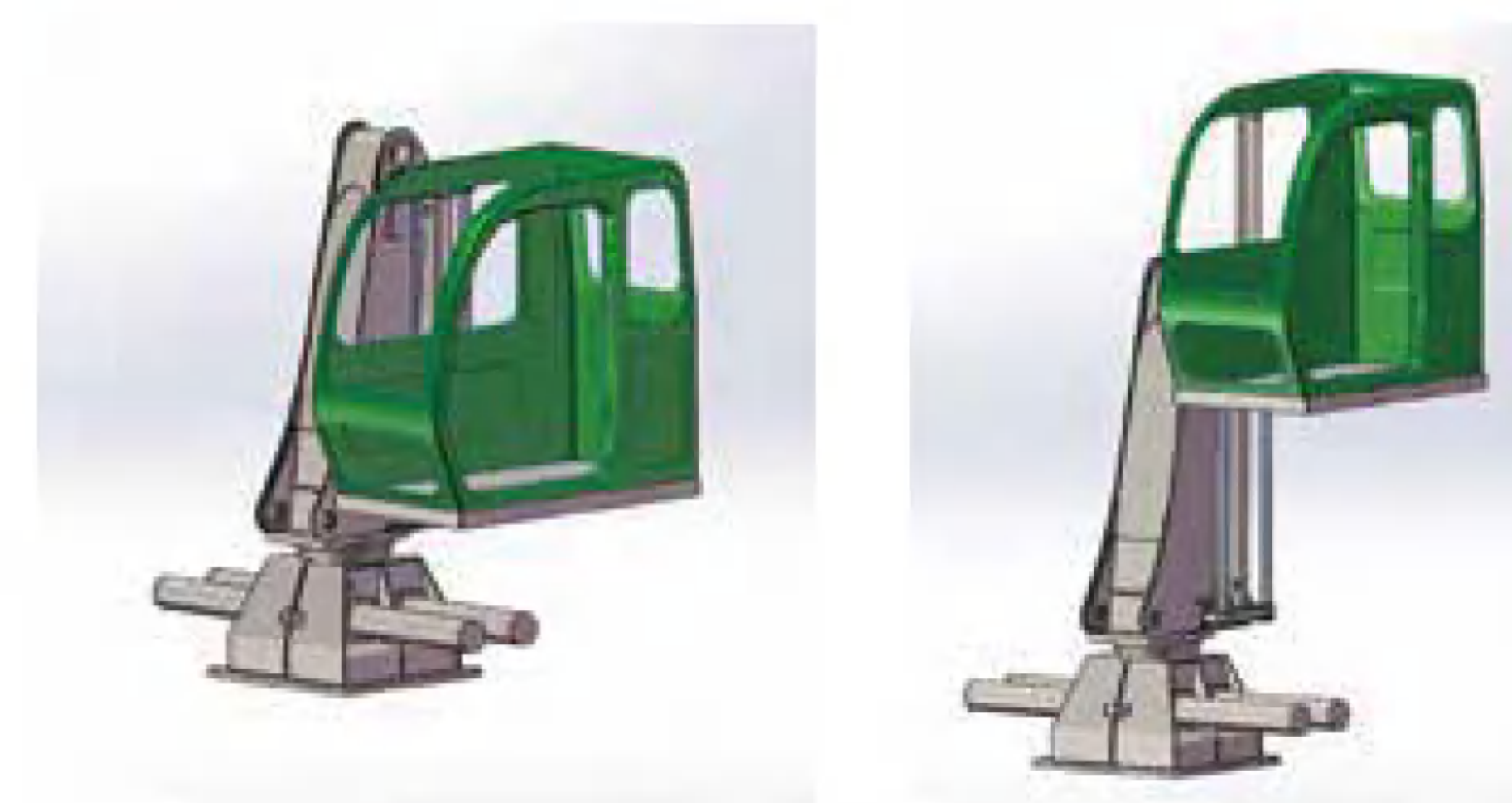
产品介绍/Product introduction

鹅颈式固定可伸缩, 抓钢 (料) 机是专为厂区: 废钢、危险品、码头、纸厂、林业、砂石厂等行业的抓取、装卸、分拣、减轻人力的短缺和上下装卸强度, 提高装卸车效率, 设计制造。

产品优势/Product advantages

- ◎ 鹅颈式固定抓钢机引进国外技术, 结构紧凑, 整机自重轻, 设计合理美观。
- ◎ 液压系统: 鹅颈式固定抓钢机采用进口液压件、负载敏感多路控制阀, 可以实现多个动作同时复合联动动作, 操控性更好, 抓起更准确, 大大提高装卸效率, 节省费用。
- ◎ 油泵: 抓钢机采用进口斜轴式柱塞油泵, 工作稳定, 效率高, 使用寿命长。
- ◎ 抓钢机回转采用双齿条油缸, 扭矩大, 回转平稳, 耐冲击性更好, 使用寿命长, 维修保养更方便。
- ◎ 多种夹具配置可选: 电吸盘、贝壳夹具、梅花夹具 (6瓣) 3+2夹具, 满足客户多种作业需求。
- ◎ 大视野升降驾驶室大功率空调制冷制热效果更好, 驾驶室升降功能确保工作区域尽收眼底, 操作者高位操作, 视野更开阔、更通透更明亮。

升降驾驶室操作系统/Lift cab operating system



产品应用/Product application

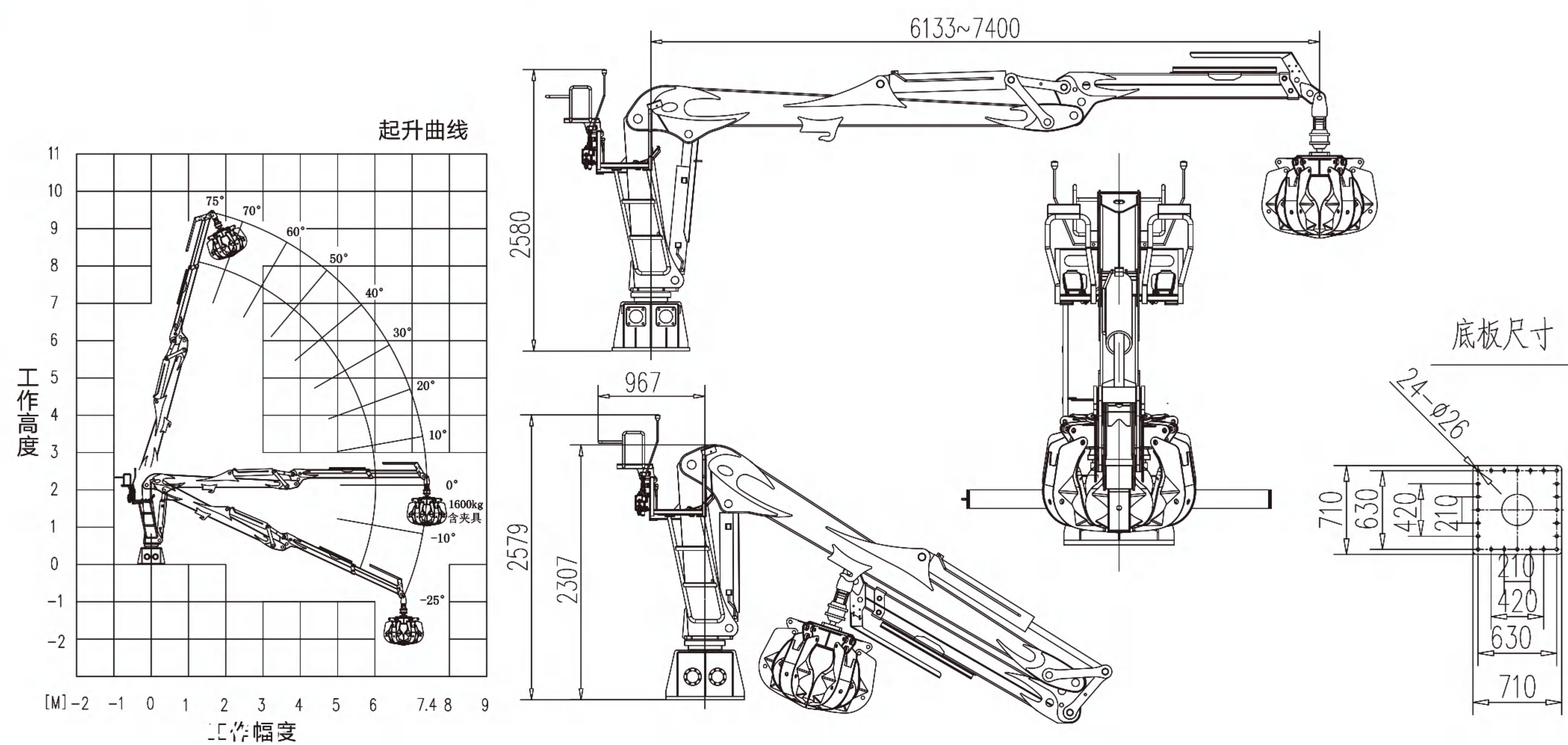


GS系列抓钢（料）机参数

gs series steel (material) machine parameters

最大起重量 (含夹具)	1600 Kg	油箱容积	250 L
最大起重力矩	15 Ton.m	回转角度	380 °
推荐功率	40 KW	起重机自重	2300 Kg
液压系统流量	80 L/Min	安装空间	850 mm
液压系统压力	26 Mpa		

GS1.6T-7.4M-F 外型尺寸图 作业曲线图

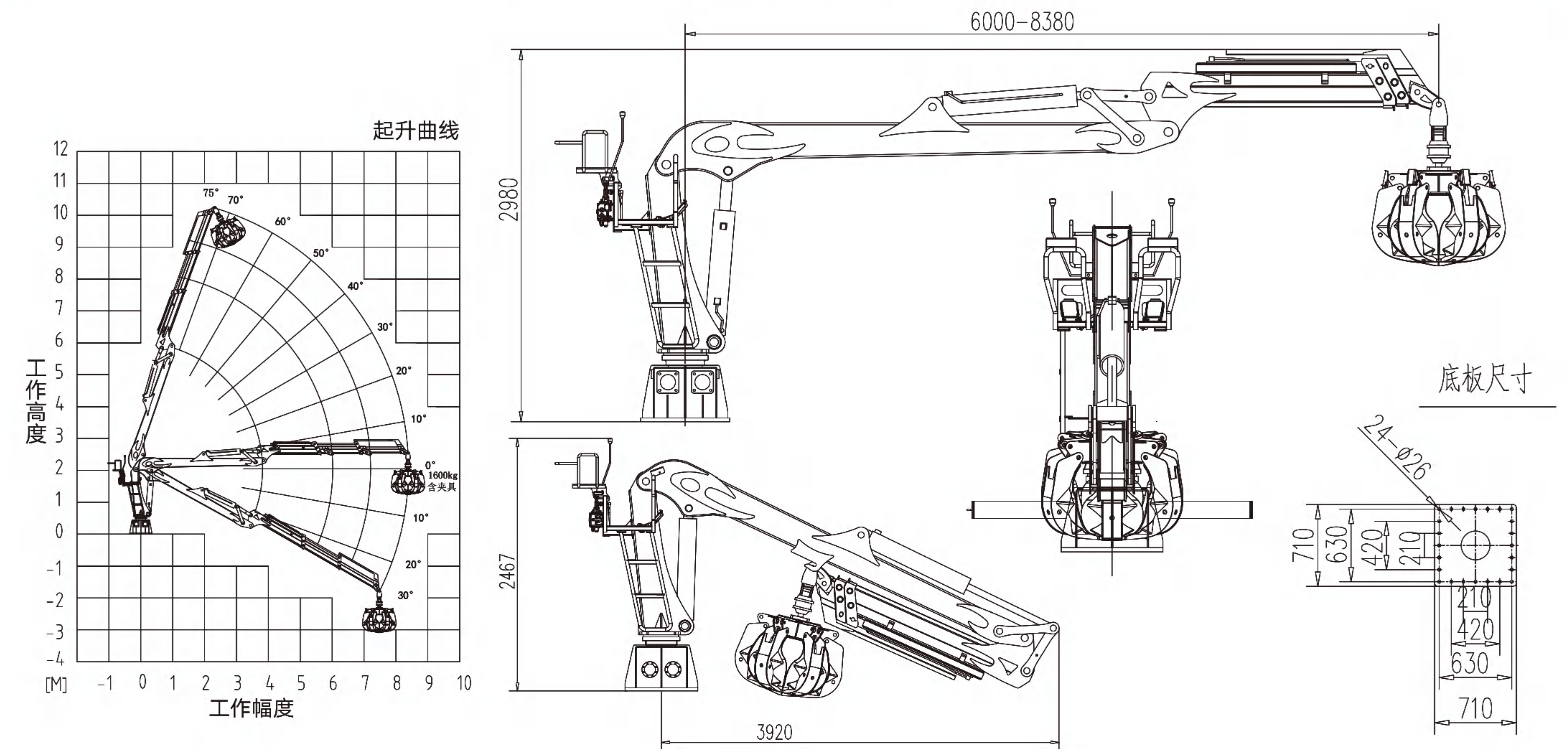


系列抓钢（料）机参数

series steel (material) machine parameters

最大起重量 (含夹具)	1600 Kg	油箱容积	250 L
最大起重力矩	16 Ton.m	回转角度	380 °
推荐功率	45 KW	起重机自重	2400 Kg
液压系统流量	80 L/Min	安装空间	1000 mm
液压系统压力	28 Mpa		

GS1.6T-8.3M-F 外型尺寸图 作业曲线图

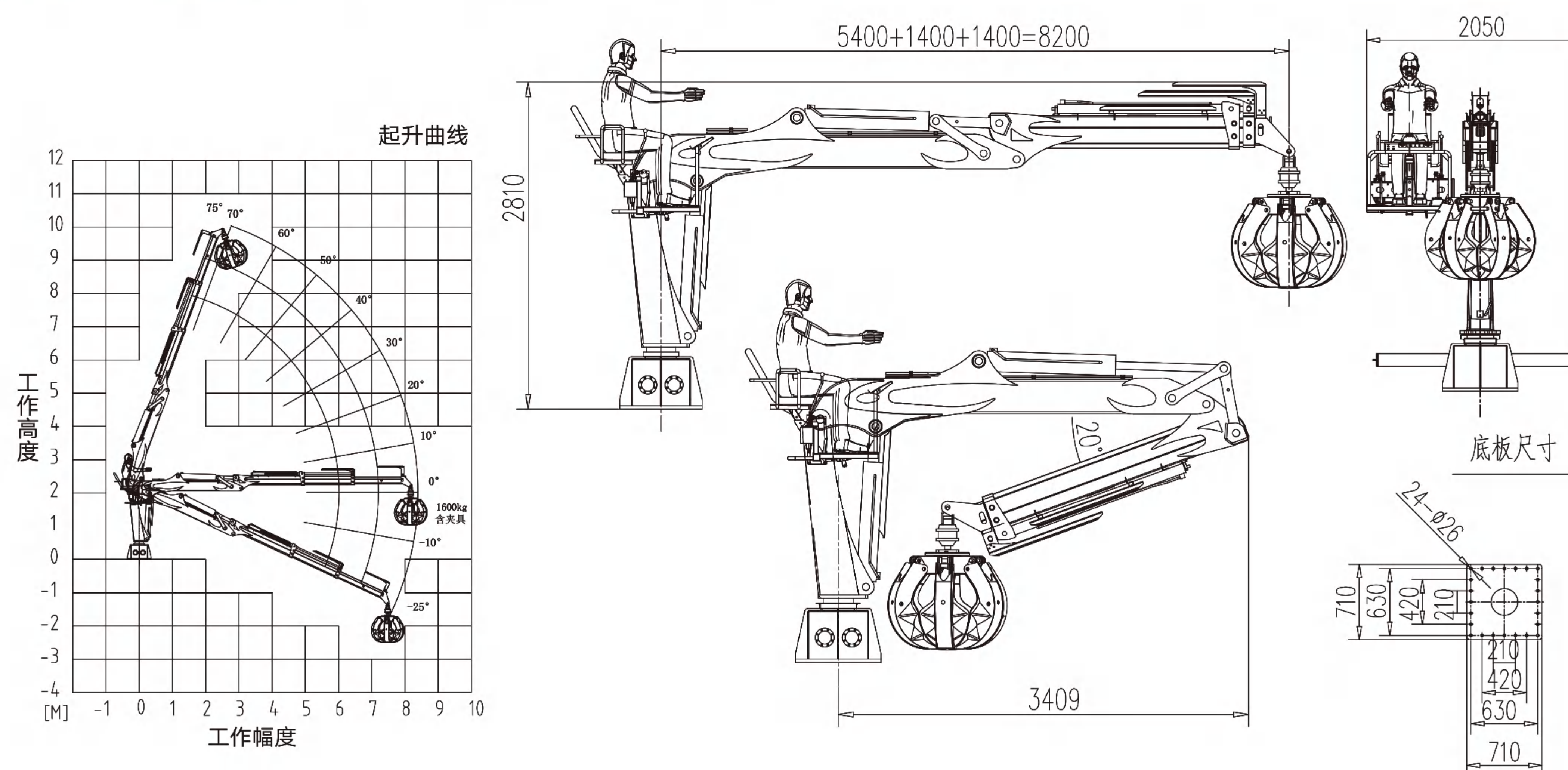


GS系列抓钢（料）机参数

gs series steel (material) machine parameters

最大起重量 (含夹具)	1600 Kg	油箱容积	250 L
最大起重力矩	16 Ton.m	回转角度	380 °
推荐功率	45 KW	起重机自重	2450 Kg
液压系统流量	80 L/Min	安装空间	1000 mm
液压系统压力	28 Mpa		

GS1.6T-8.2M-F 外型尺寸图 作业曲线图

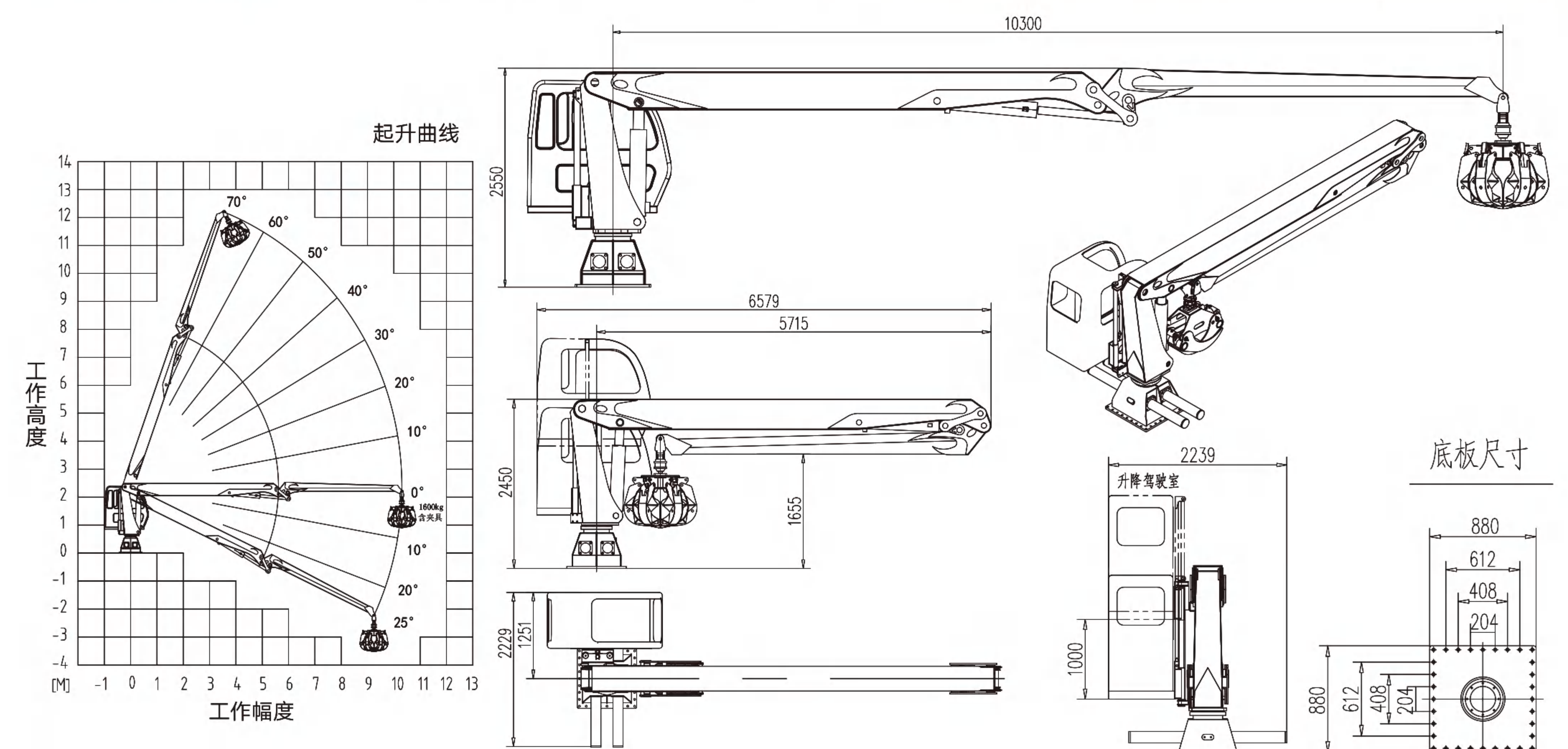


系列抓钢（料）机参数

series steel (material) machine parameters

最大起重量 (含夹具)	1600 Kg	油箱容积	250 L
最大起重力矩	27 Ton.m	回转角度	380 °
推荐功率	45 KW	起重机自重	4000 Kg
液压系统流量	90 L/Min	安装空间	2300 mm
液压系统压力	26 Mpa		

GS1.6T-10.3M-F 外型尺寸图 作业曲线图



GS系列抓钢（料）机参数

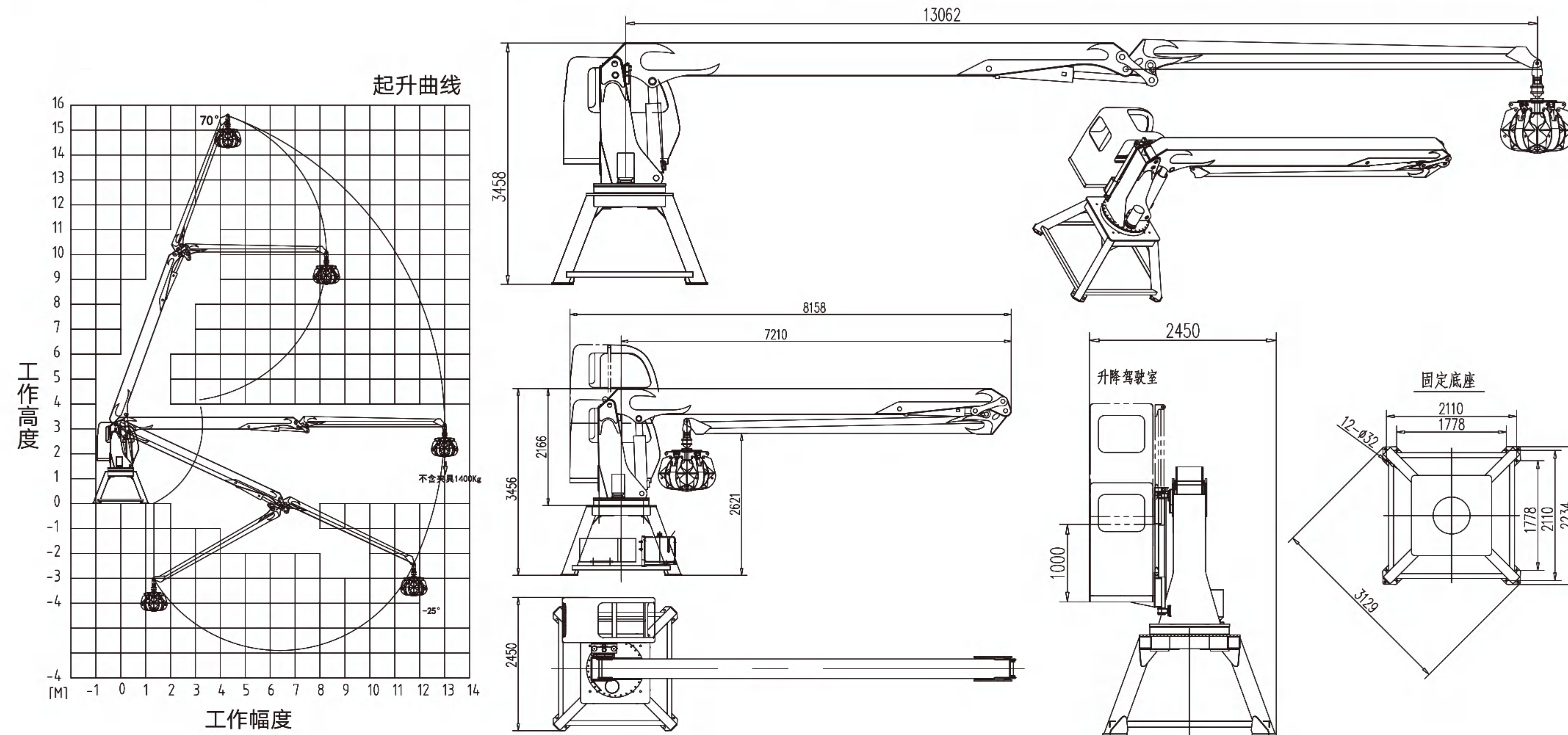
gs series steel (material) machine parameters

GS1.6T-13M

外型尺寸图

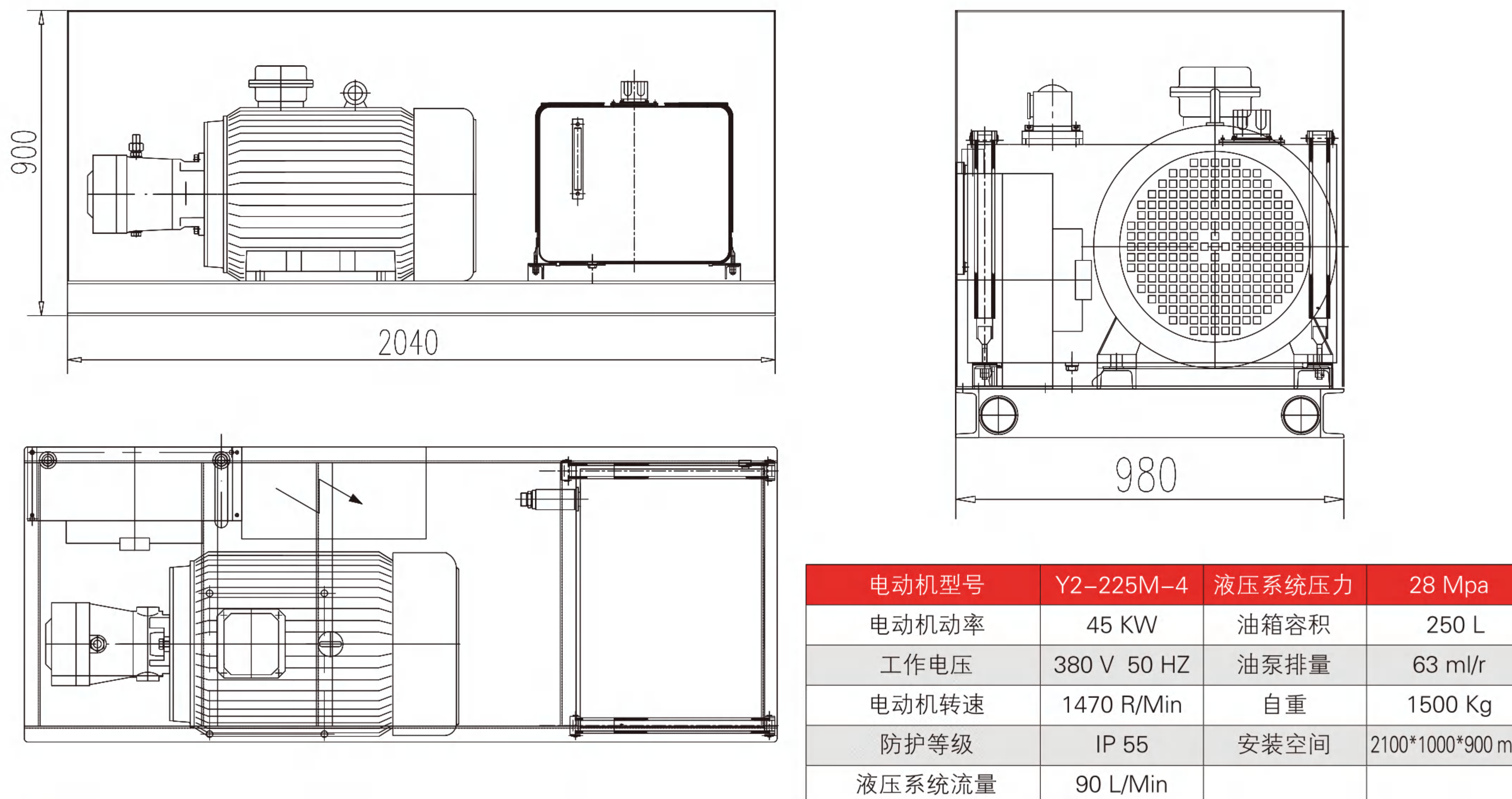
作业曲线图

最大起重量 (含夹具)	1600 Kg	油箱容积	300 L
最大起重力矩	37 Ton.m	回转角度	380 °
推荐功率	55 KW	起重机自重	4950 Kg
液压系统流量	110 L/Min	安装空间	2300 mm
液压系统压力	28 Mpa		



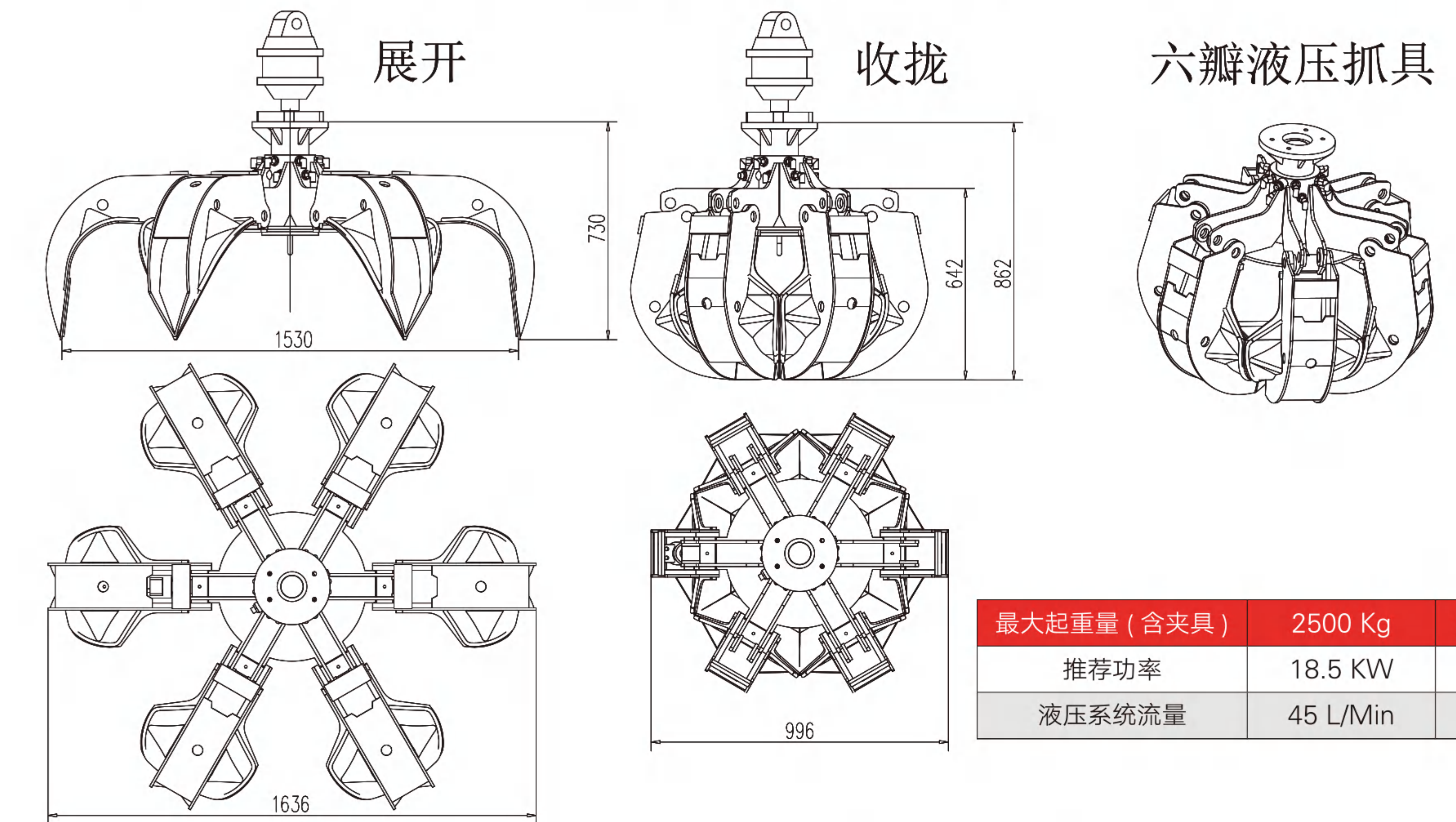
GS系列抓钢（料）机专用液压站参数

gs series steel (material) machine dedicated hydraulic station parameters



GS系列抓钢（料）机六瓣抓斗参数

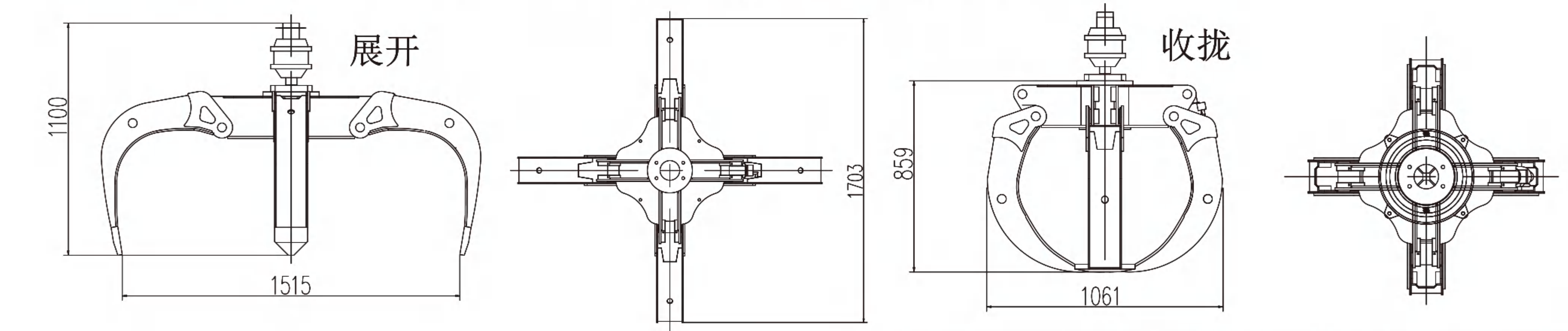
gs series steel (material) machine six petal grab bucket parameters



最大起重量 (含夹具)	2500 Kg	液压系统压力	25 Mpa
推荐功率	18.5 KW	回转角度	360 °
液压系统流量	45 L/Min	自重	380 Kg

GS系列抓钢（料）机四瓣抓斗参数

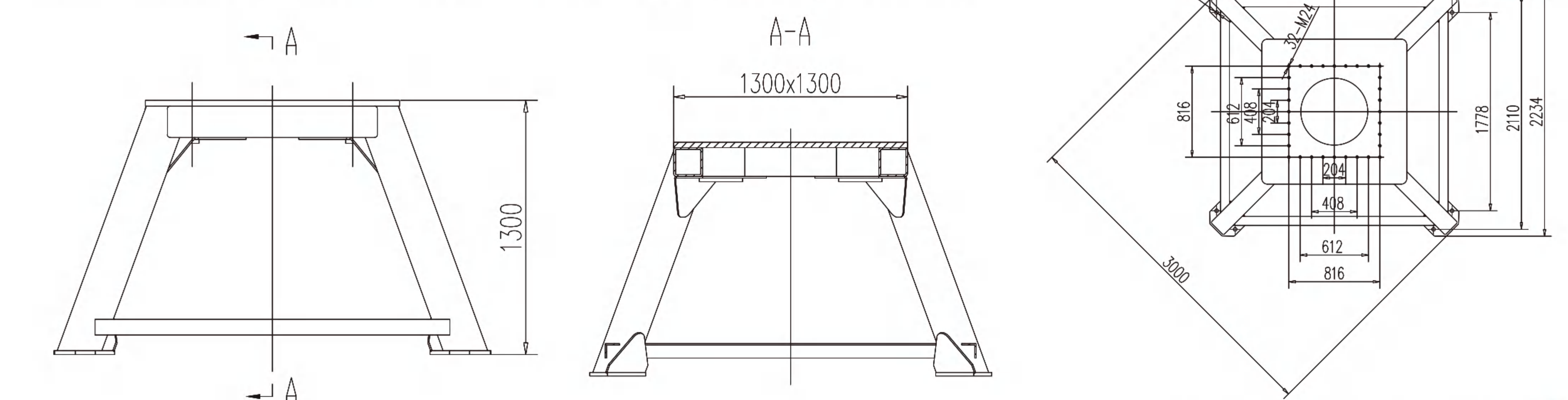
gs series steel (material) machine four petal grab bucket parameters



最大起重量 (含夹具)	2000 Kg	液压系统压力	25 Mpa
推荐功率	18.5 KW	回转角度	360 °
液压系统流量	45 L/Min	自重	300 Kg

GS系列抓钢（料）机安装底座参数

gs series steel (material) machine installing the base parameters



GW 林业 (竹木) 机参数

GW forestry (bamboo and wood) machine parameters

产品介绍/Product introduction

林业 (竹木) 随车抓是一种安全高效专用的产品, 适用于国内外林业树木、竹子、甘蔗、垃圾分类等行业, 减轻人力短缺和上下装卸强度, 大大提高了装卸车的效率, 节省了时间和人力, 支持定制化专属夹具, 解决更多行业装卸困难, 增加经济收益。

产品优势/Product advantages

- ◎ SL系列-ZM系列智能林业 (竹木) 随车抓, 采用三维设计软件, 对产品进行受力分析和仿真模拟确保产品安全可靠, 一体式双十字操做阀系统 (一控三), 实现符合动作, 灵活, 快捷, 作业效率高, 操控性更好, 抓起更出色。
- ◎ 二瓣夹具开口大, 360° 旋转, 圆弧外形减少夹具与竹木阻力和磨损, 抓取无死角, 更耐久更省力。



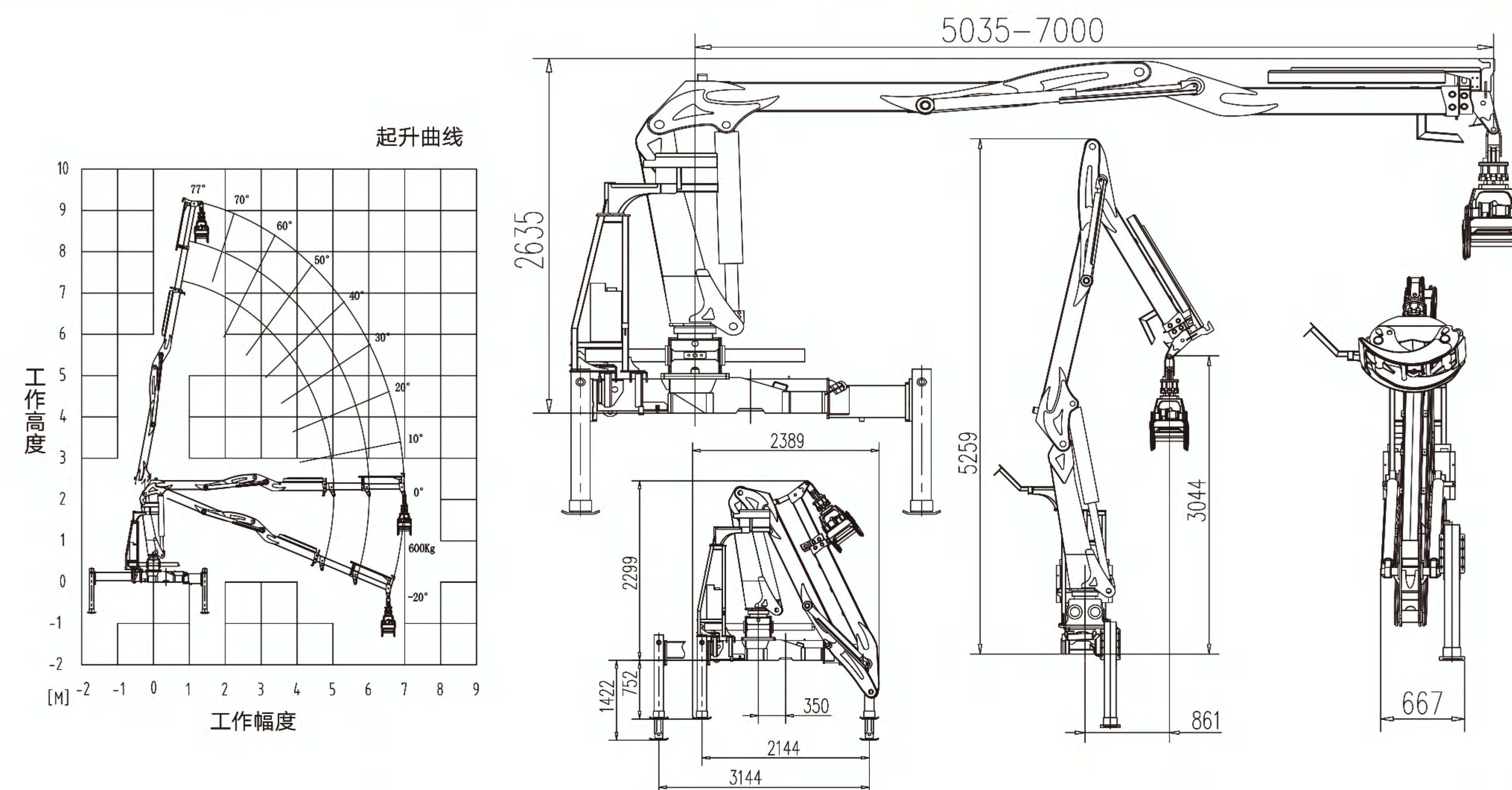
产品应用/Product application



GW系列林业 (竹木) 机参数

GW series forestry (bamboo and wood) machine parameters

GW0.6T-7M 外型尺寸图 作业曲线图

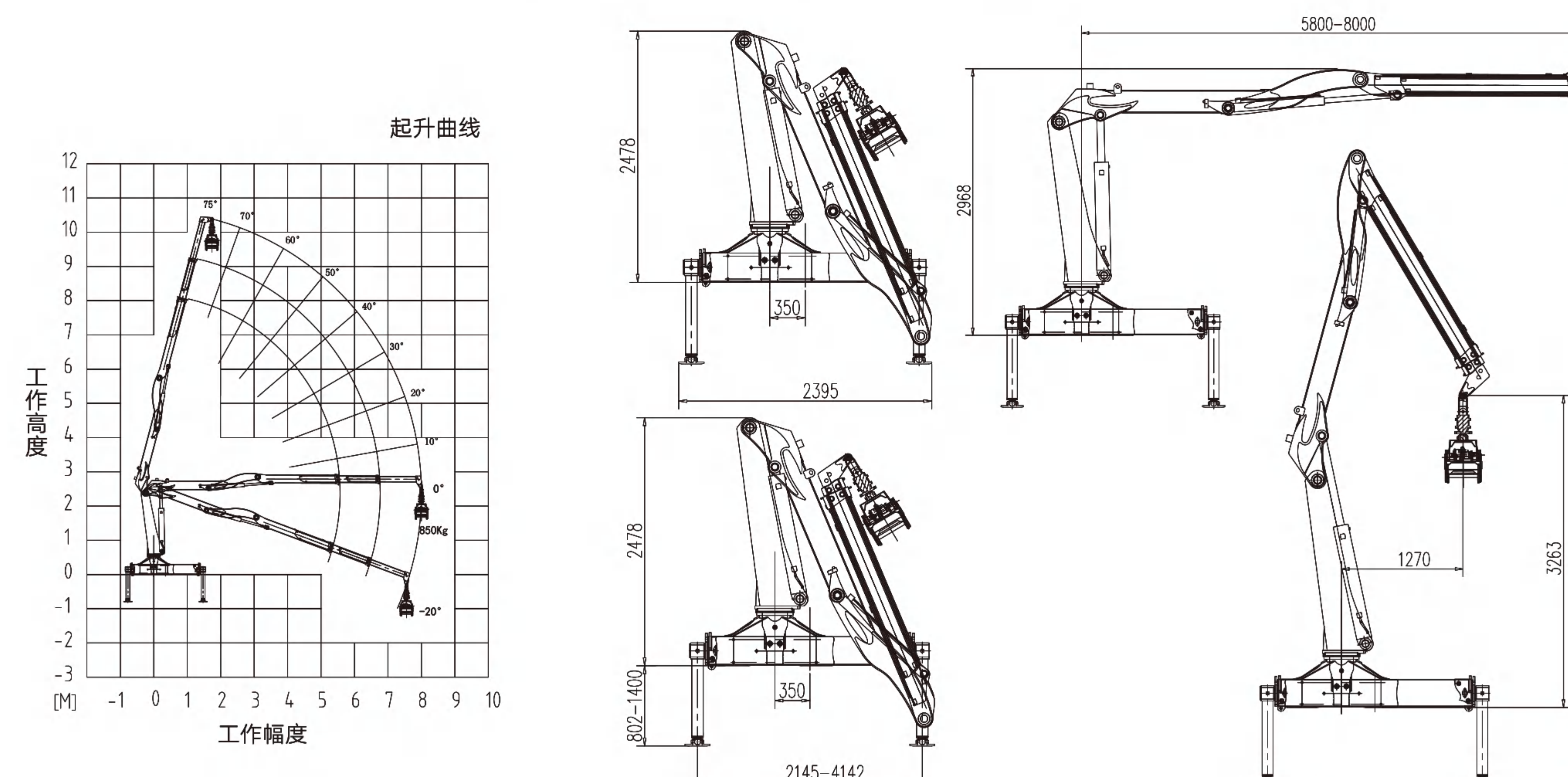


最大起重量 (不含夹具)	600 Kg	油箱容积	100 L
最大起重力矩	7.0 Ton.m	回转角度	380 °
推荐功率	18 KW	起重机自重	1650 Kg
液压系统流量	45 L/Min	安装空间	680 mm
液压系统压力	20 Mpa		

GW系列林业 (竹木) 机参数

GW series forestry (bamboo and wood) machine parameters

GW0.85T-8M 外型尺寸图 作业曲线图



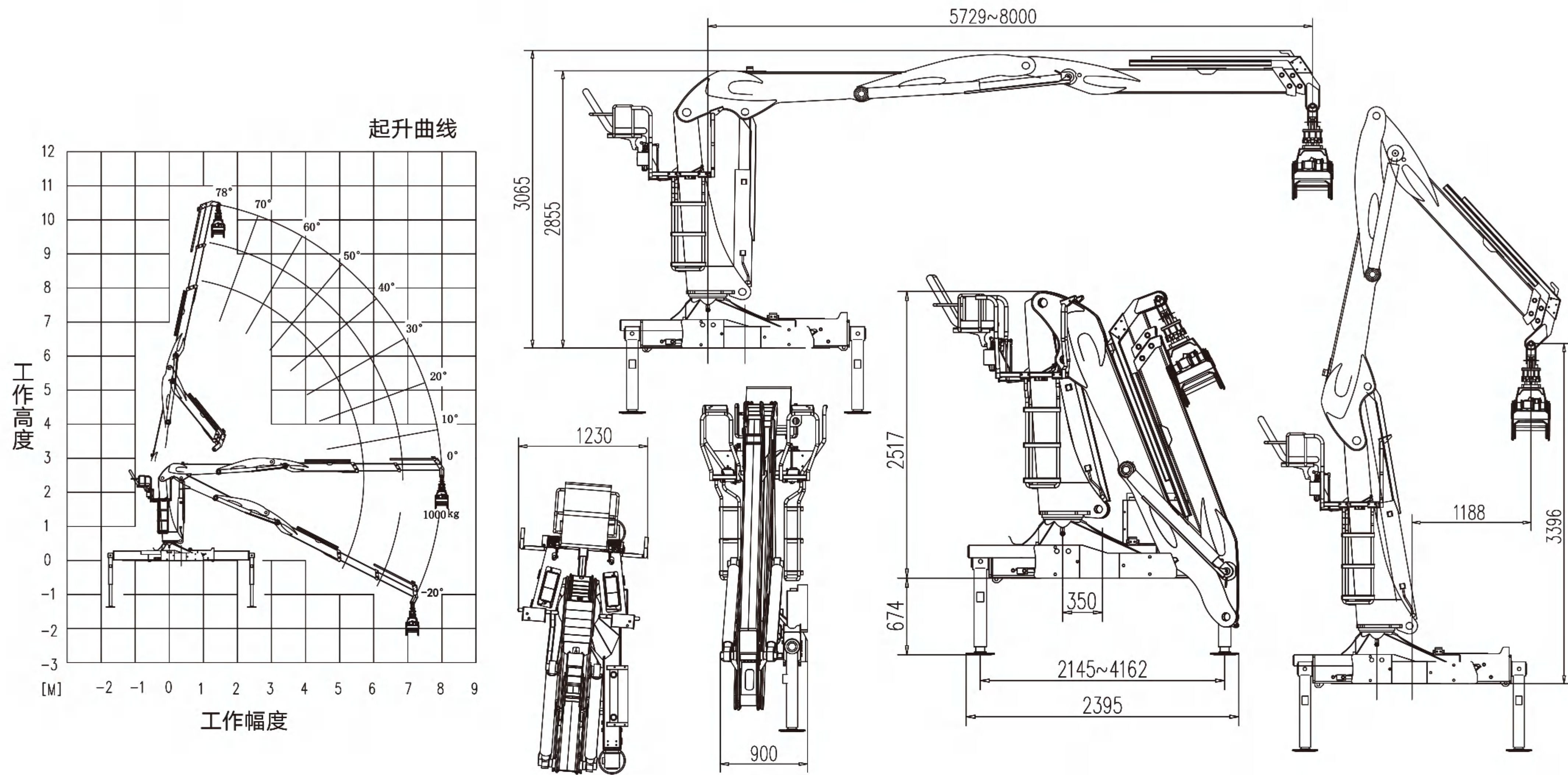
最大起重量 (不含夹具)	850 Kg	油箱容积	160 L
最大起重力矩	13 Ton.m	回转角度	400 °
推荐功率	28 KW	起重机自重	2200 Kg
液压系统流量	55 L/Min	安装空间	920 mm
液压系统压力	25 Mpa		

GW系列林业（竹木）机参数

gw series forestry (bamboo and wood) machine parameters

GW1T-8M 外型尺寸图 作业曲线图

最大起重量 (不含夹具)	1000 Kg	油箱容积	180 L
最大起重力矩	15 Ton.m	回转角度	380 °
推荐功率	37 KW	起重机自重	2650 Kg
液压系统流量	60 L/Min	安装空间	1000 mm
液压系统压力	25 Mpa		

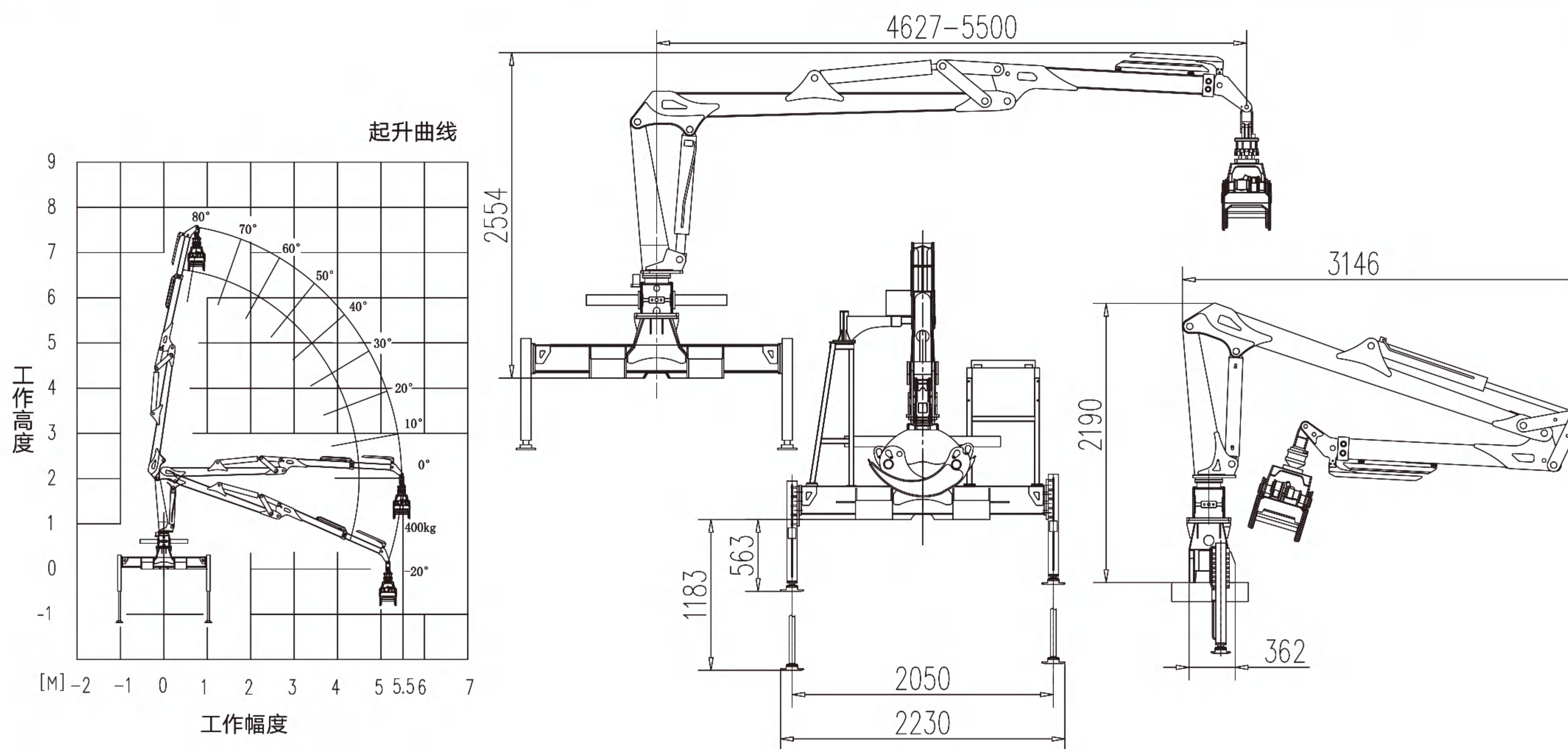


GW系列林业（竹木）机参数

gw series forestry (bamboo and wood) machine parameters

GW0.4T-5.5M 外型尺寸图 作业曲线图

最大起重量 (不含夹具)	400 Kg	油箱容积	60 L
最大起重力矩	6 Ton.m	回转角度	380 °
推荐功率	15 KW	起重机自重	1000 Kg
液压系统流量	45 L/Min	安装空间	450 mm
液压系统压力	20 Mpa		

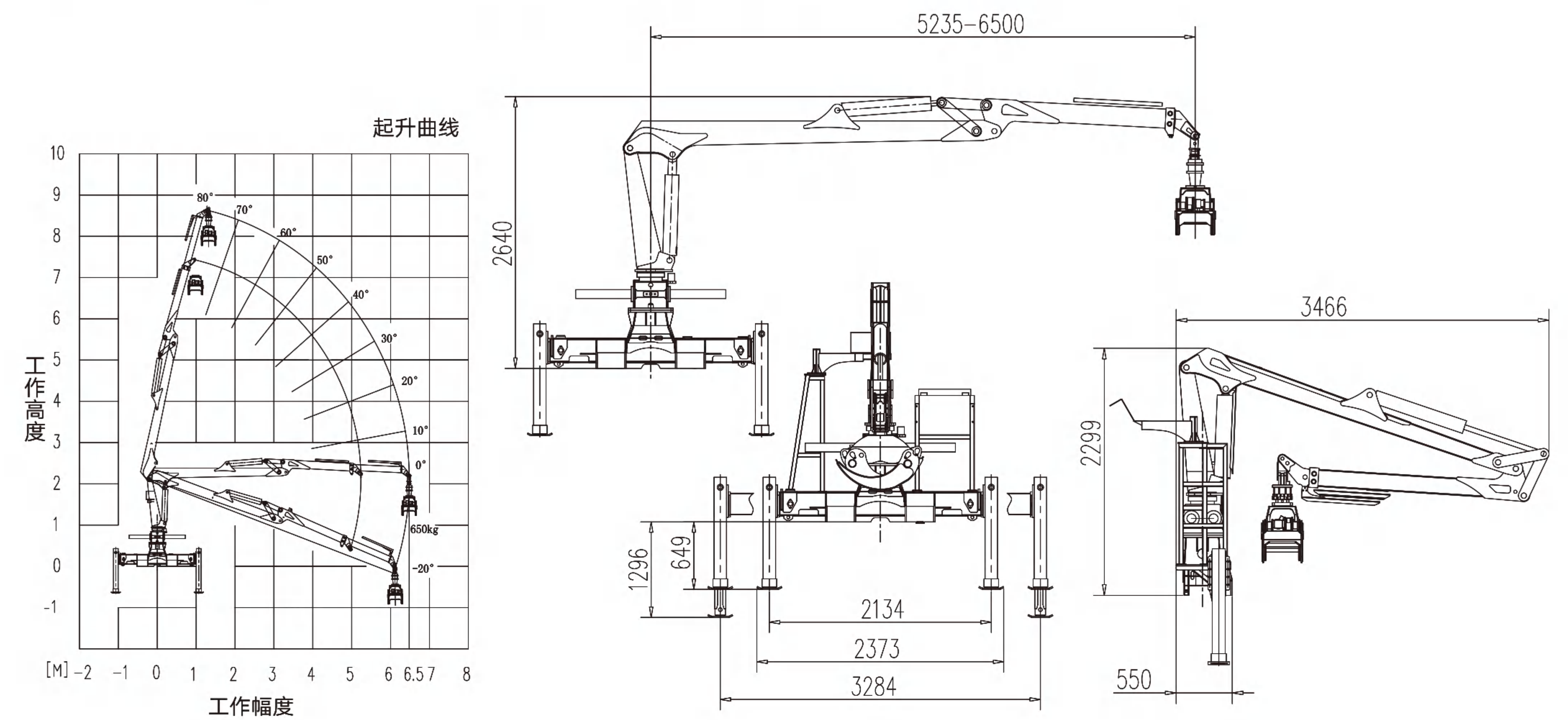


GW系列林业（竹木）机参数

gw series forestry (bamboo and wood) machine parameters

GW0.65T-6.5M 外型尺寸图 作业曲线图

最大起重量 (不含夹具)	650 Kg	油箱容积	80 L
最大起重力矩	6.6 Ton.m	回转角度	380 °
推荐功率	20 KW	起重机自重	1200 Kg
液压系统流量	55 L/Min	安装空间	550 mm
液压系统压力	20 Mpa		

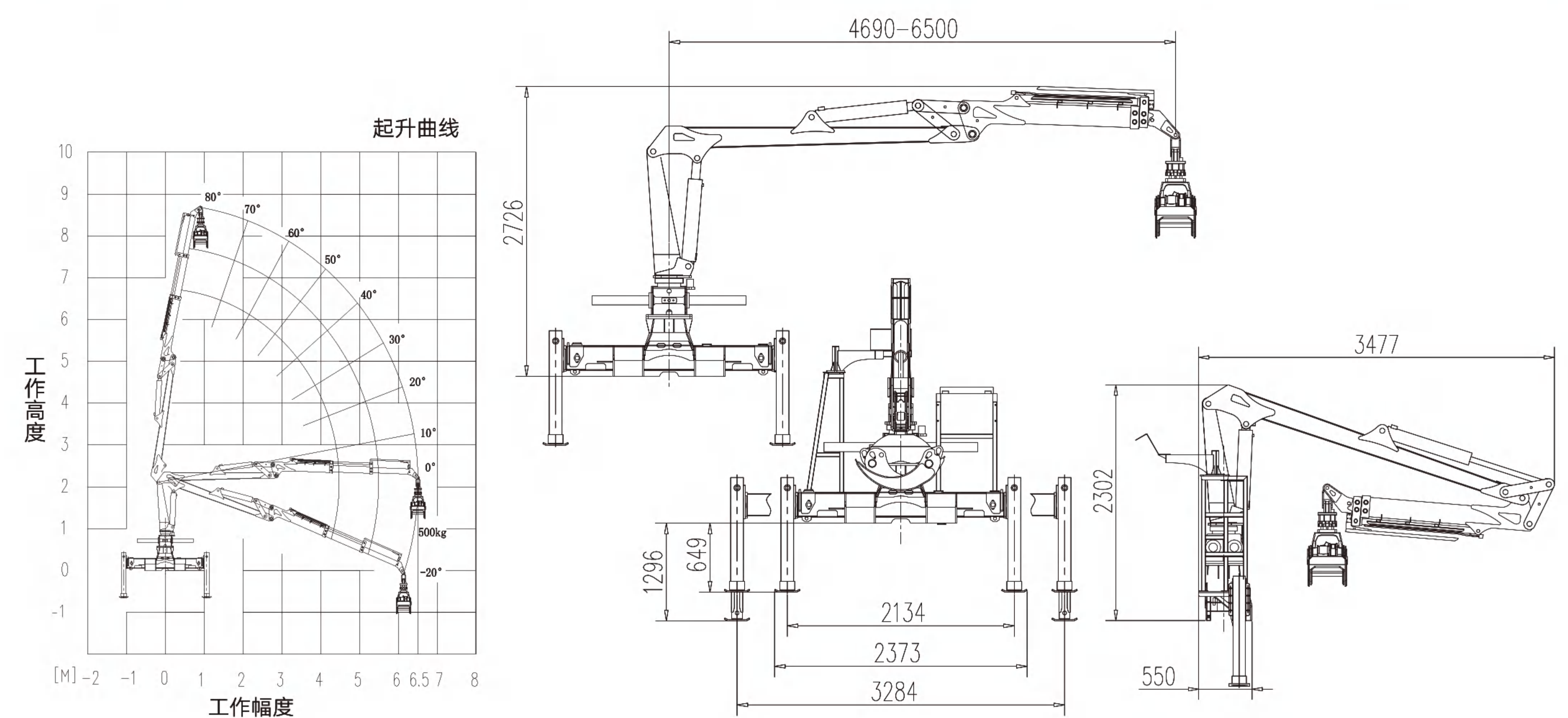


GW系列林业（竹木）机参数

gw series forestry (bamboo and wood) machine parameters

GW0.5T-6.5M 外型尺寸图 作业曲线图

最大起重量 (不含夹具)	500 Kg	油箱容积	100 L
最大起重力矩	6.6 Ton.m	回转角度	380 °
推荐功率	20 KW	起重机自重	1280 Kg
液压系统流量	55 L/Min	安装空间	550 mm
液压系统压力	20 Mpa		

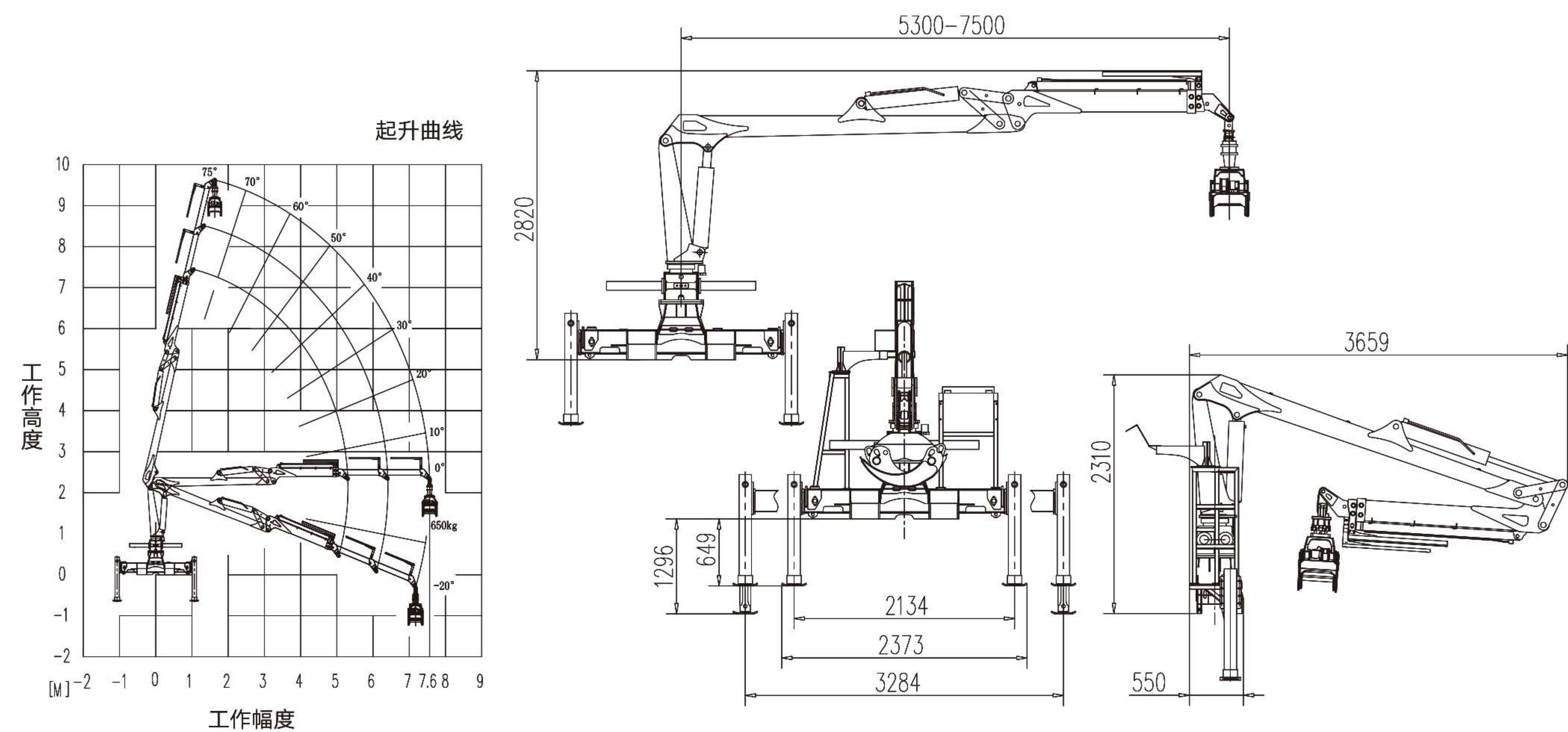


GW系列林业（竹木）机参数

GW series forestry (bamboo and wood) machine parameters

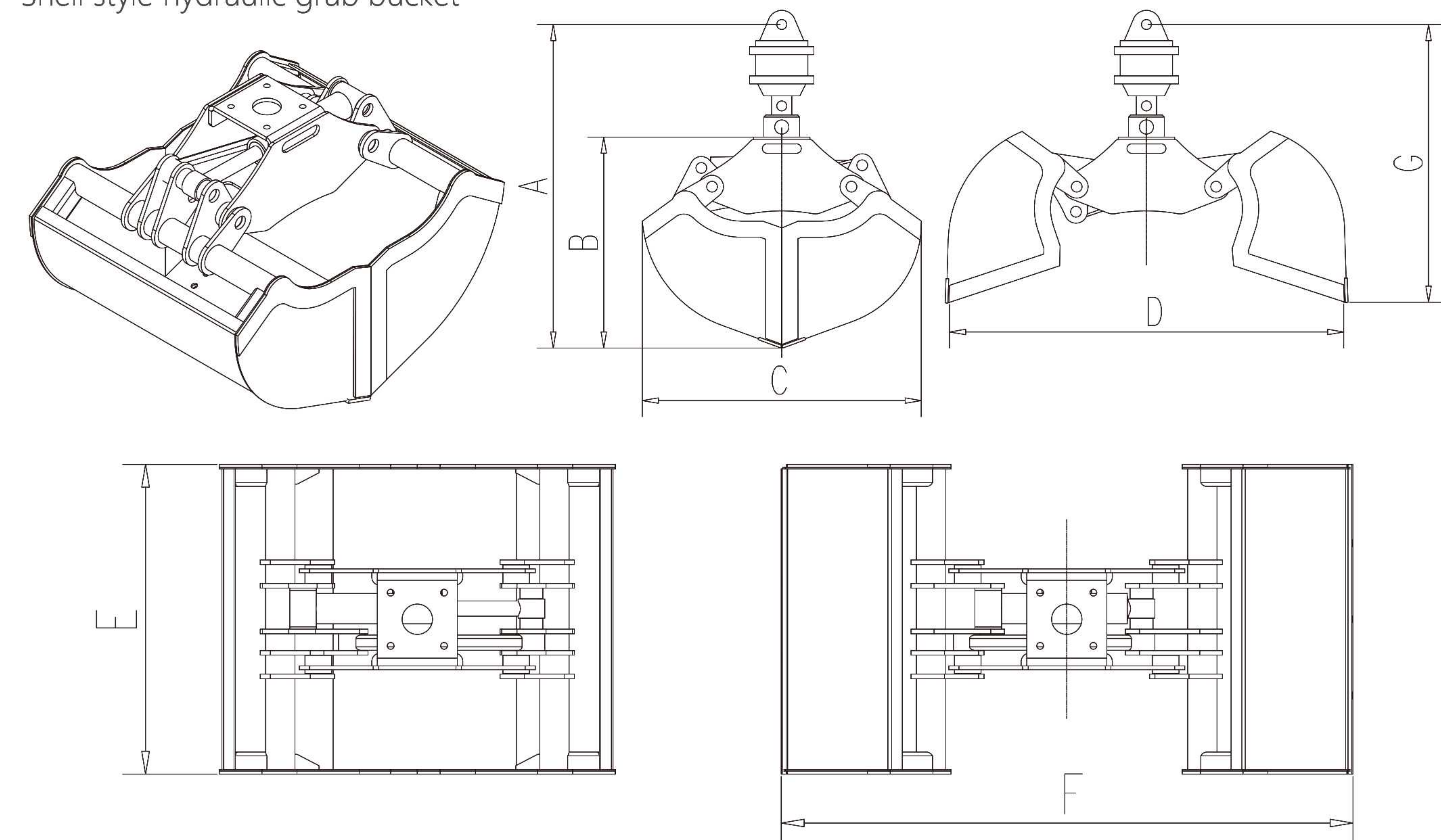
GW0.65T-7.5M 外型尺寸图 作业曲线图

最大起重量 (不含夹具)	650 Kg	油箱容积	100 L
最大起重力矩	7.5 Ton.m	回转角度	380 °
推荐功率	20 KW	起重机自重	1400 Kg
液压系统流量	55 L/Min	安装空间	500 mm
液压系统压力	20 Mpa		



贝壳式液压抓斗

Shell style hydraulic grab bucket



主要技术参数

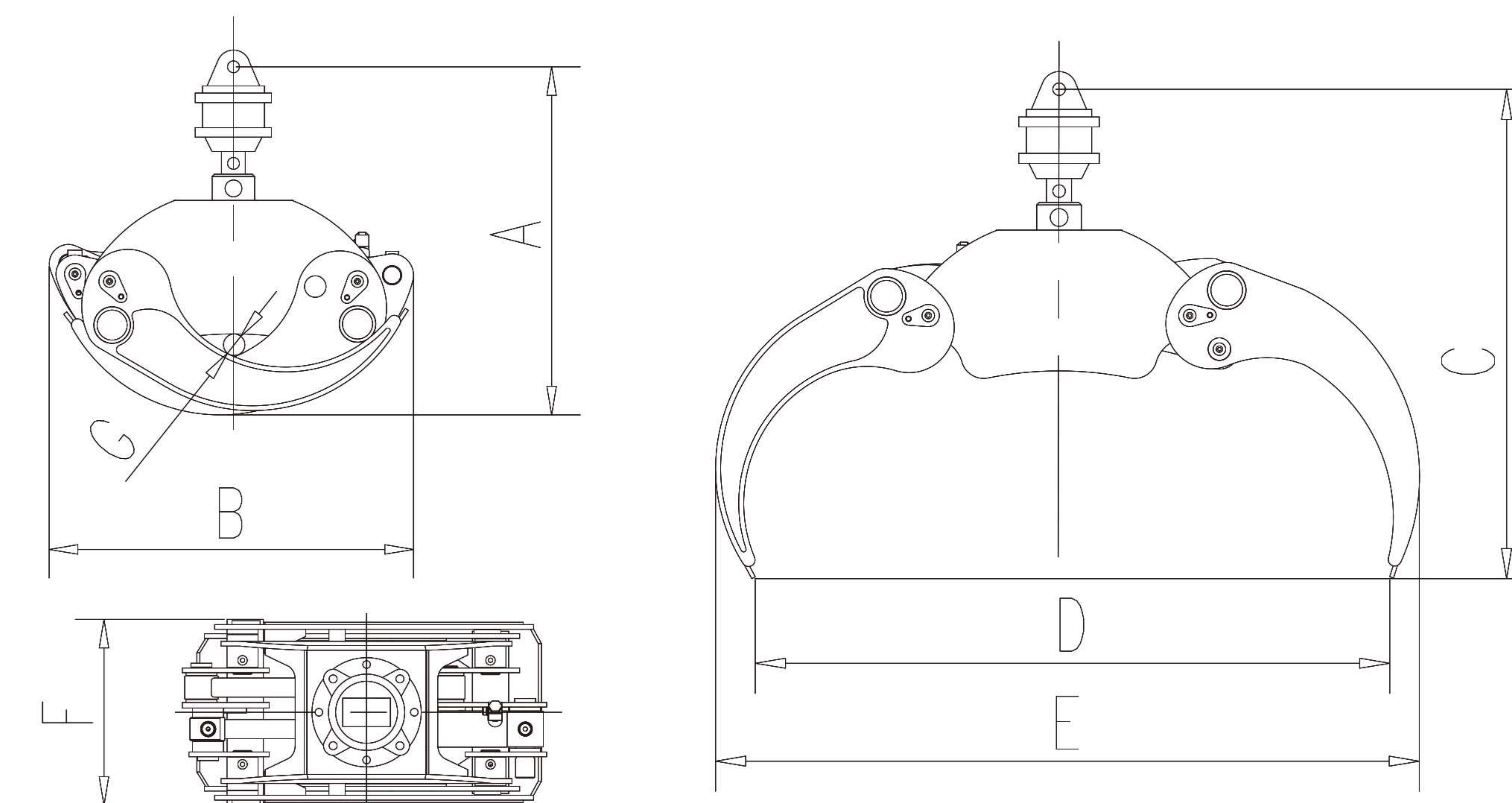
夹具型号	最大抓取重量	最大抓取体积	最大工作压力	工作流量	回转角度	夹具自重
1470-BK	1500KG	0.4m³	25 Mpa	40 L/Min	360°	290KG
1730-BK	2500KG	0.7m³	25 Mpa	50 L/Min	360°	380KG

外形尺寸

夹具型号	A	B	C	D	E	F	G
GW1470-BK	1250	800	1050	1470	820	1520	1080
GW1730-BK	1420	920	1215	1730	1220	1770	1190

GW系列液压抓具

gw series hydraulic gripper



主要技术参数

夹具型号	最大抓取重量	最大工作压力	工作流量	夹具自重	回转角度
GW-1350	650KG	25 Mpa	25 L/Min	150KG	360°
GW-1500	1000KG	25 Mpa	30 L/Min	190KG	360°
GW-1800	1500KG	25 Mpa	35 L/Min	230KG	360°

外形尺寸

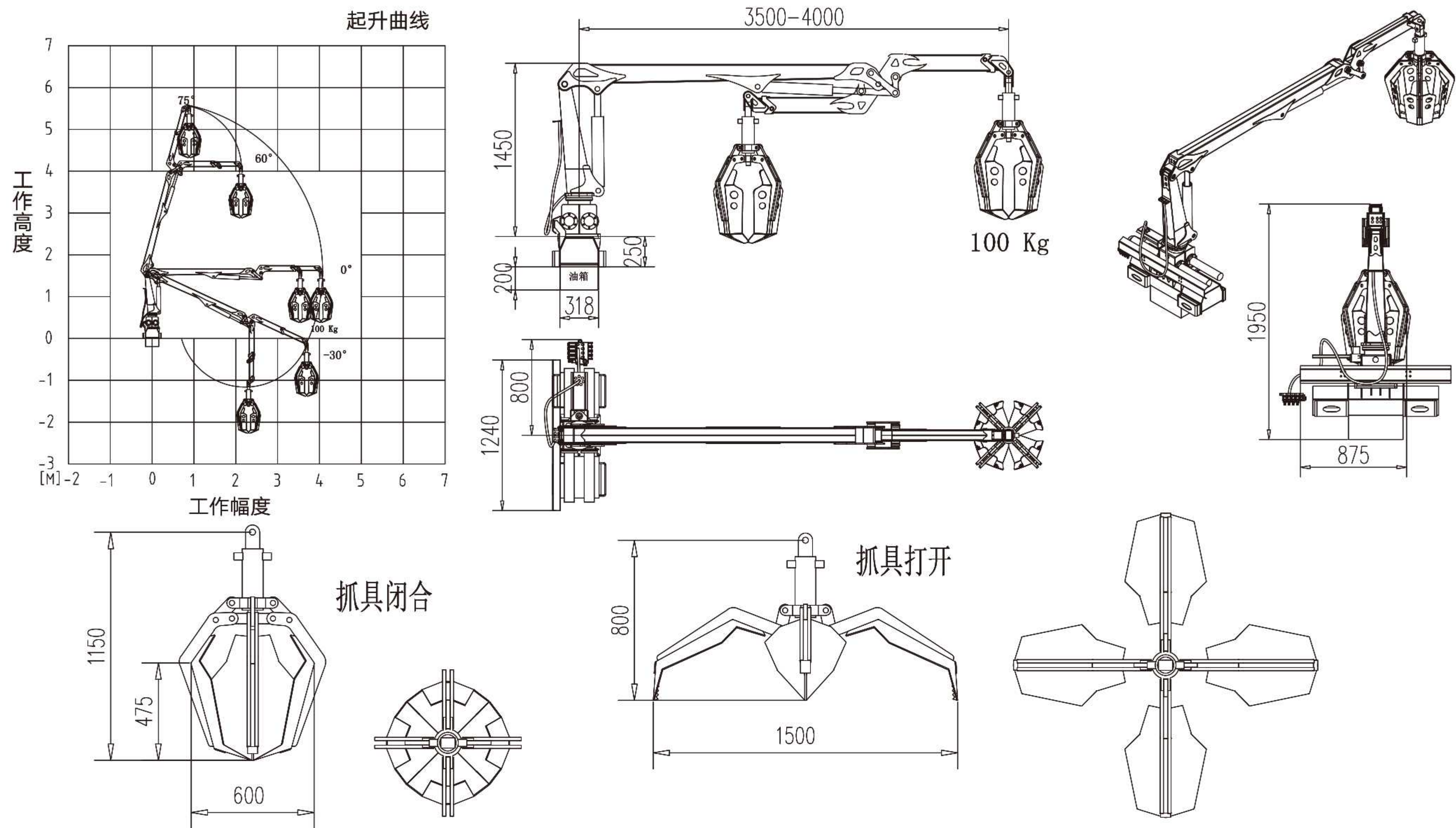
夹具型号	A	B	C	D	E	F	G
GW-1350	750	790	980	1350	1490	380	65
GW-1500	850	900	1080	1500	1685	470	78
GW-1800	1150	970	1160	1800	1920	530	125

GW系列棕榈抓机参数

gw series palm gripper parameters

最大起重量	100 Kg	油箱容积	50 L
最大起重力矩	1.0 Ton.m	回转角度	330 °
推荐功率	11 KW	起重机自重	460 Kg (含夹具)
液压系统流量	35 L/Min	安装空间	600*700 mm
液压系统压力	15 Mpa		

GW0.1T-4M 外型尺寸图 作业曲线图



提供最耐用的解决方案
OFFER YOU THE MOST DURABLE SOLUTIONS