



**提供最耐用的解决方案**  
**OFFER YOU THE MOST DURABLE SOLUTIONS**

地址:江苏省徐州市铜山经济开发区

Add: Tongshan Economic Development Zone, Xuzhou, JiangSu province, China.

电话(Tel) : (0086) 178 2648 0652

邮箱 ( E-mail ) : admin@cnsmach.com marketing@cnsmach.com



[www.cnsmach.com](http://www.cnsmach.com)  
[cnsmach.en.made-in-china.com](http://cnsmach.en.made-in-china.com)



**徐州炎黄工程机械有限公司**  
CNS Machinery (Xuzhou) Co., Ltd.

**高空作业车手册**  
Aerial Work Platform Manual



# About Us

CNS Group, located in Xuzhou city, is a group enterprise with:

Lifting machinery factory including marine crane, truck mounted crane, aerial work vehicle and truck tail lift -CNS Machinery (Xuzhou) Co., Ltd.

Hydraulic cylinder factory-Yanhuang hydraulic cylinder (Anhui) Co., Ltd & Yanhuang hydraulic cylinder (Xuzhou) Co., Ltd.

Health care product: Smart plant factory and Oxygen Chamber factory-CNS Machinery(Suzhou) Co., Ltd.

By maintaining strict inspection systems from raw materials to finished product, since 2006 when the factory was established, and now has integrated R&D, fabrication and domestic transportation systems and sales. Based on rapid development and growth, we started export in 2015, and expanded our factory to 60000 m<sup>2</sup> in 2023 to meet the higher demand.

CNS has strict inspection systems from raw materials to finished products, 'Never compromise in quality' is the basic principle, with ISO9001, BV, CE, and CCS, ABS, DNV, API2C, RMRS, IRS cert. for marine cranes.

CNS invests nearly quarter of saleroom in R&D and provides OEM/ODM service for both in and abroad. CNS products have been exported to Middle East, South East Asia, South America, Russia, Europe etc.

CNS集团位于徐州市，是一家集

起重机械工厂:包括船用起重机、车载起重机、高空作业车及汽车尾板CNS机械(徐州)有限公司。

液压油缸工厂:安徽炎黄液压科技有限公司&徐州炎黄工程机械有限公司。

健康护理产品:智能植物工厂与氧气舱工厂CNS机械(宿州)有限公司。

自2006年工厂成立以来，通过从原材料到成品的严格检验体系，现已发展成为集研发、生产制造、国内运输系统和销售为一体的企业。基于快速发展和增长，我们于2015年开始出口，并于2023年将工厂面积扩建至60000平方米，以满足更高的需求。

CNS从原材料到成品都有严格的检验体系，"质量永不妥协"是基本原则，拥有ISO9001、BV、CE以及CCS、ABS、DNV、API2C、RMRS、IRS船用起重机认证。

CNS每年将近四分之一的销售额投入到研发中，并为国内外客户提供OEM/ODM服务，产品远销中东、东南亚、南美、俄罗斯、土耳其及其他欧洲国家。



## Truck Mounted Boom-lift specifications



Articulated Jib 1.5m



Operator Cabin



Ground Panel Operation



Hexagonal work arm, synchronous telescopic, compact structure, high work efficiency, and large work range.



Main supporting hydraulic and electrical components: load sensitive proportional valves, balance valves, controllers, etc. are all high-quality parts

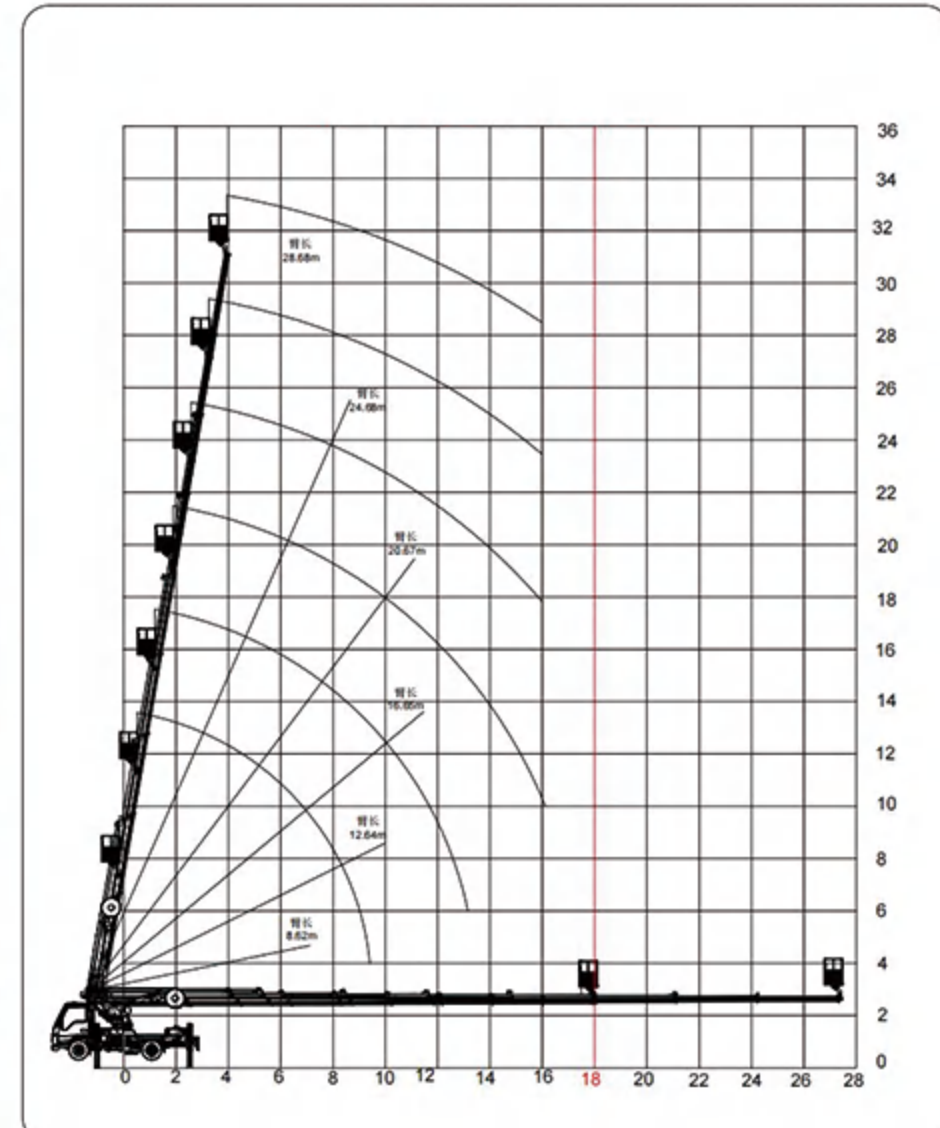
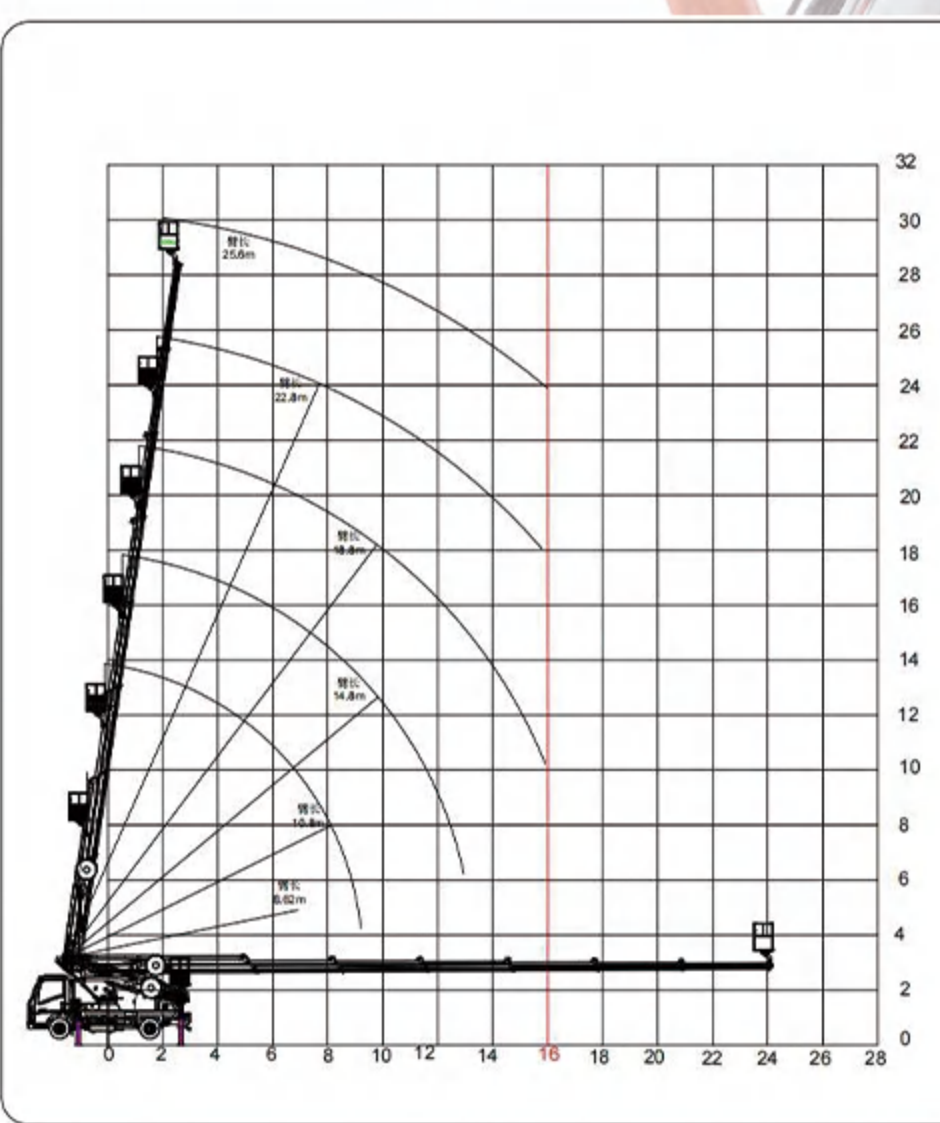
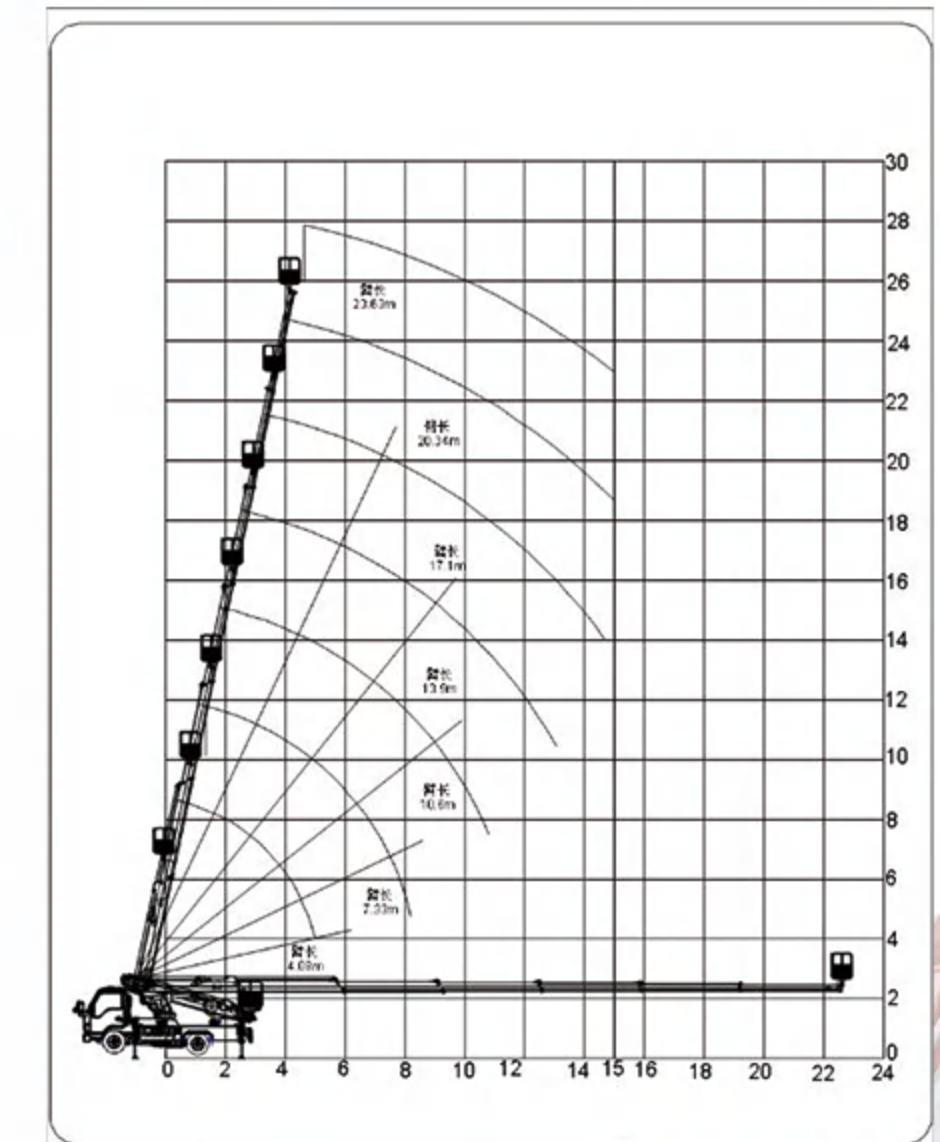
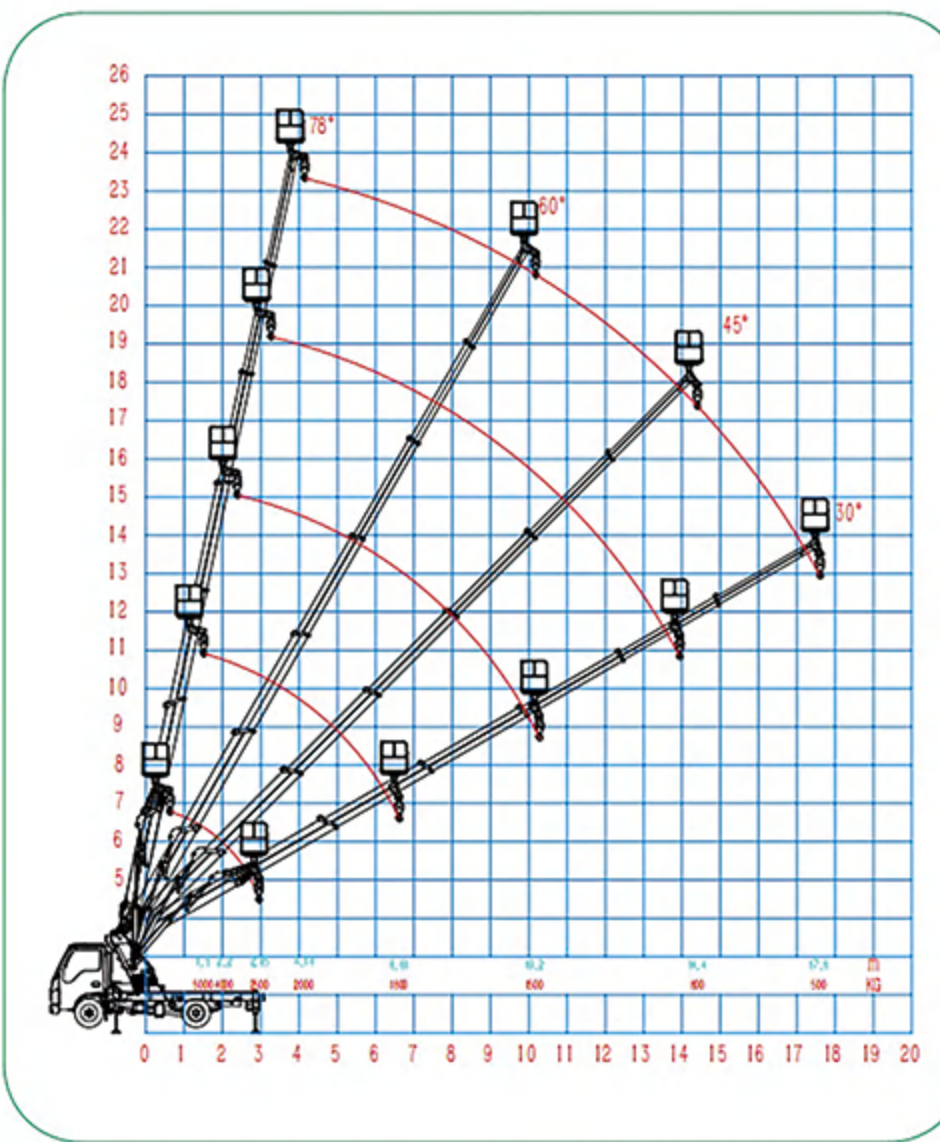


The entire vehicle's electrical system adopts a CAN bus control system, which is safe and reliable, and has high work efficiency

1. operator seat with digital Panel
2. 4000kw Inverter
3. Remote Control with Display
4. 1.5m Jib (Optional)
5. Digital ground panel (optional)
6. Anti-Slip Aluminum deck
7. High Tensile Steel Grade Plate (Q960 N/mm<sup>2</sup>)
8. Horizontal Outreach Cut Off
9. Double Wire Rope Mechanism
10. Operator Cabin A/C & Non-A/C (Optional)
11. Designed for 12Volt power supply to match Indian Standards
12. Basket 360 rotation and tilting
13. Counter balancing lock valve
14. H-Type double legs- separately adjustable outrigger jacks



# Technical specifications.

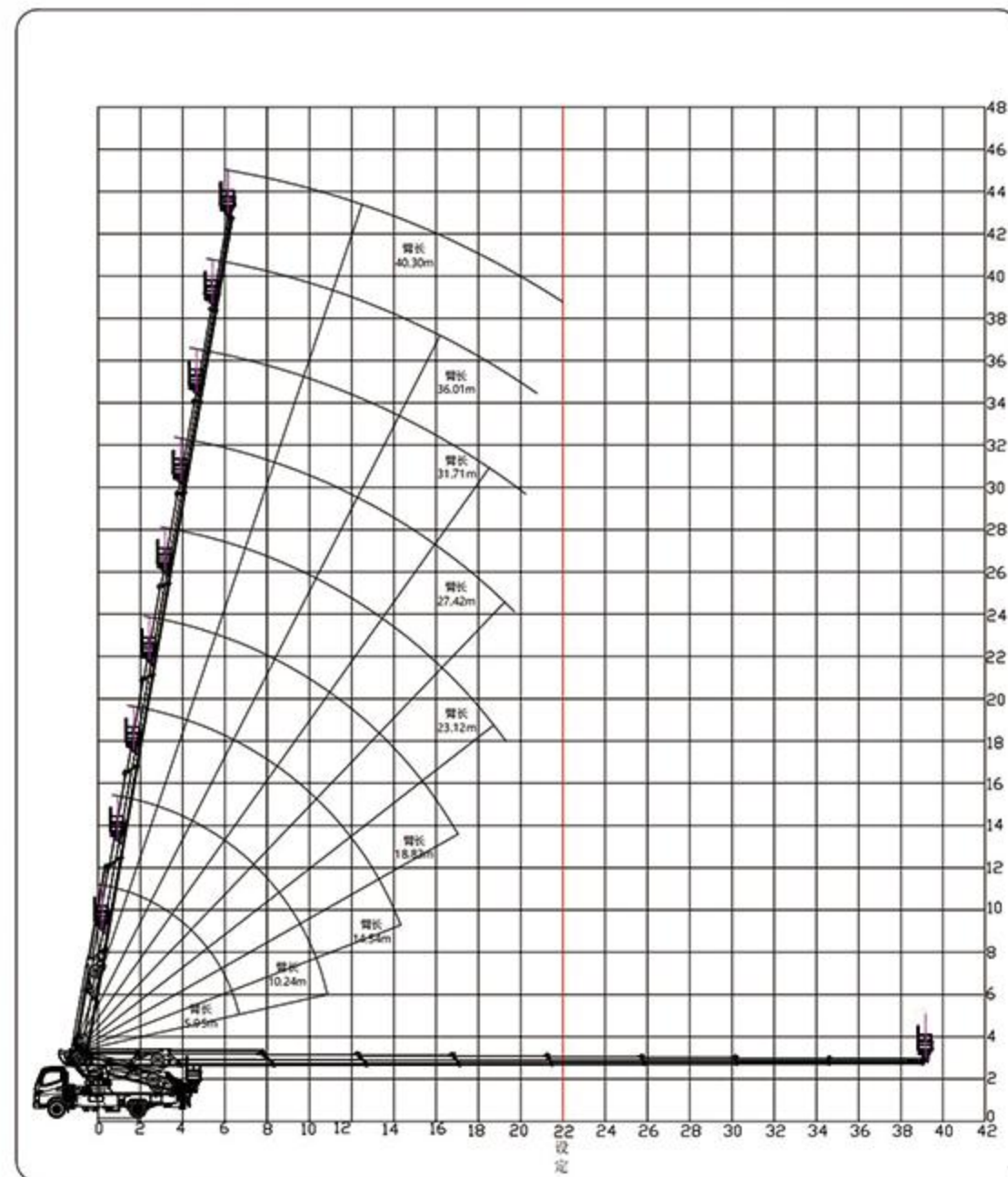


Model	AW25	Leg span (lateral)	4400mm	Platform size	1600x700x1100mm
Max working range	11m	Leg span (longitudinal)	4100mm	Slewing Angle	360
Max Lifting Height	25m	Wheel Base	2800	Control System	CAN bus control system
Machine Weight App rox.	2600	Basket Capacity	200kg	Max allowable wind speed	12.5m/s
Boom form	7 Section	Basket Material	Aluminum	Control volteage	12v Or 24v
Optional:	Fly jib 1.5m; Ground monitor; operator cabin(A/C)				

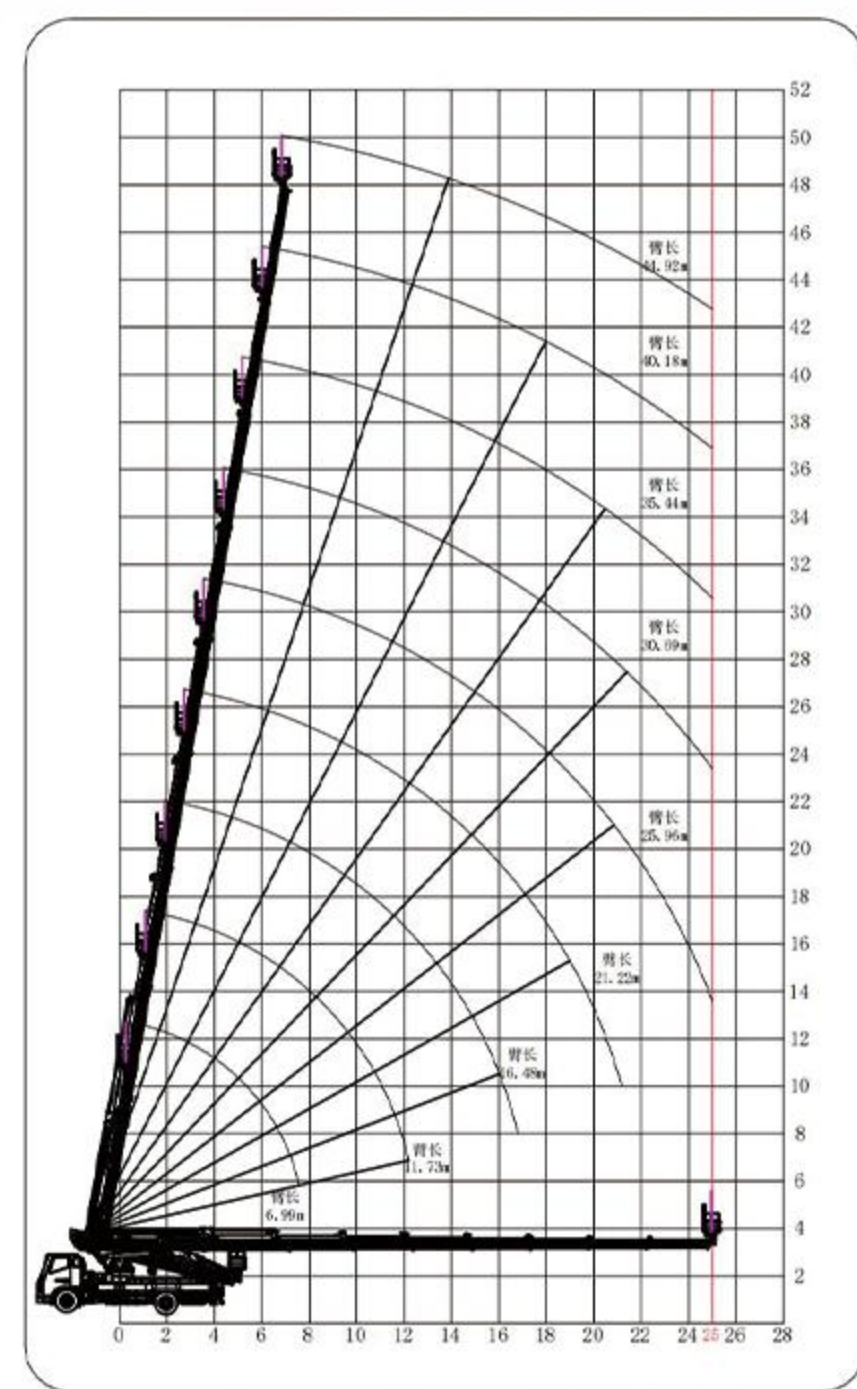
Model	AW28	Leg span (lateral)	5800mm	Platform size	1600x700x1100mm
Max working range	16m	Leg span (longitudinal)	6000mm	Slewing Angle	360
Max Lifting Height	28.3m	Wheel Base	2800	Control System	CAN bus control system
Machine Weight App rox.	2800	Basket Capacity	200kg	Max allowable wind speed	12.5m/s
Boom form	7 Section	Basket Material	Aluminum	Control volteage	12v Or 24v
Optional:	Fly jib 1.5m; Ground monitor; operator cabin(A/C)				

Model	AW30	Leg span (lateral)	6400mm	Platform size	1600x700x1100mm
Max working range	16m	Leg span (longitudinal)	6000mm	Slewing Angle	360
Max Lifting Height	30m	Wheel Base	2800	Control System	CAN bus control system
Machine Weight App rox.	3200kg	Basket Capacity	200kg	Max allowable wind speed	12.5m/s
Boom form	8 Section	Basket Material	Aluminum	Control volteage	12v Or 24v
Optional:	Fly jib 1.5m; Ground monitor; operator cabin(A/C)				

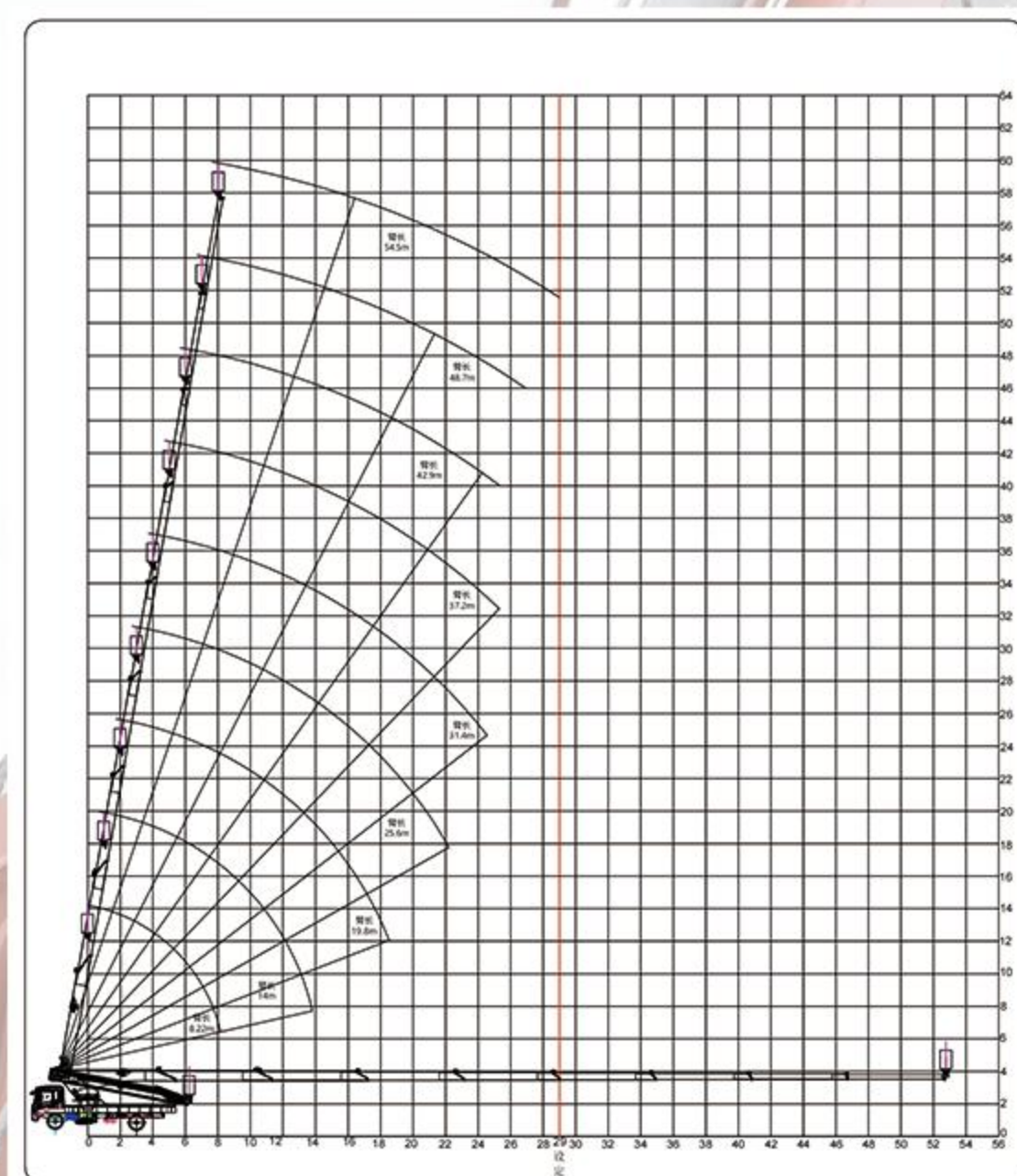
Model	AW35	Leg span (lateral)	6400mm	Platform size	1600x700x1100mm
Max working range	18m	Leg span (longitudinal)	6000mm	Slewing Angle	360
Max Lifting Height	33m	Wheel Base	3300mm	Control System	CAN bus control system
Machine Weight App rox.	4200kg	Basket Capacity	200kg	Max allowable wind speed	12.5m/s
Boom form	7 Section	Basket Material	Aluminum	Control volteage	12v Or 24v
Optional:	Fly jib 1.5m; Ground monitor; operator cabin(A/C) ; Wind sensor				



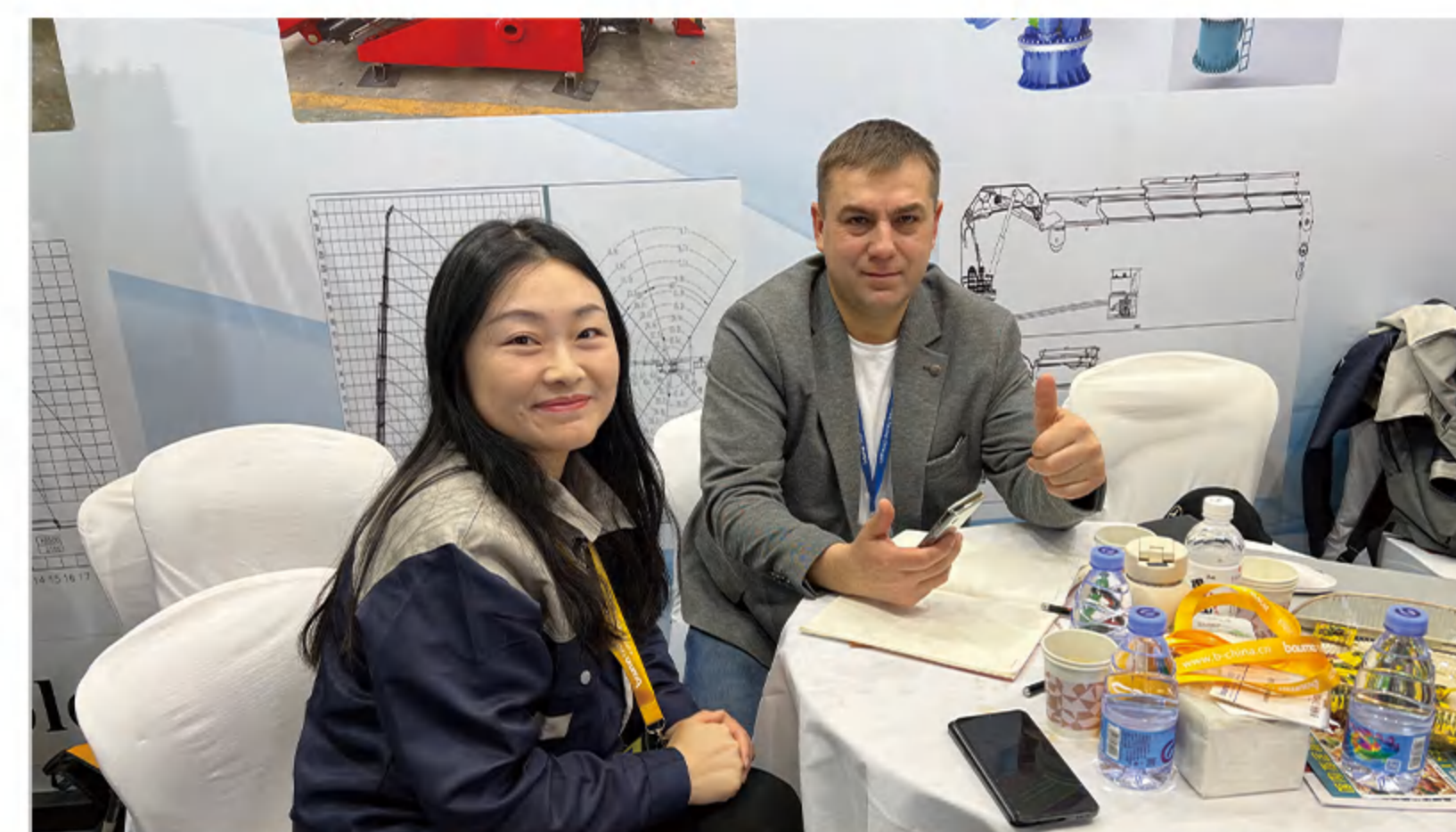
Model	AW 45	Leg span (lateral)	7700mm	Platform size	3200x700x1100mm
Max working range	22m	Leg span (longitudinal)	7300mm	Slewing Angle	360
Max Lifting Height	45m	Wheel Base	3800-4200mm	Control System	CAN bus control system
Machine Weight App rox.	12000kg	Basket Capacity	300kg	Max allowable wind speed	12.5m/s
Boom form	9 Section	Basket Material	Aluminum	Control volteage	12v Or 24v
Optional:	Fly jib 1.5m; Ground monitor; operator cabin(A/C) ;				



Model	AW 50	Leg span (lateral)	7700mm	Platform size	3200x700x1100mm
Max working range	25m	Leg span (longitudinal)	7300mm	Slewing Angle	360
Max Lifting Height	50m	Wheel Base	4500-5000mm	Control System	CAN bus control system
Machine Weight App rox.	19300kg	Basket Capacity	300kg	Max allowable wind speed	12.5m/s
Boom form	9 Section	Basket Material	Aluminum	Control volteage	12v Or 24v
Optional:	Fly jib 1.5m; Ground monitor; operator cabin(A/C);				



Model	AW 60	Leg span (lateral)	8700mm	Platform size	3200x700x1100mm
Max working range	29m	Leg span (longitudinal)	8600mm	Slewing Angle	360
Max Lifting Height	60m	Wheel Base	5700mm	Control System	CAN bus control system
Machine Weight App rox.	23500kg	Basket Capacity	300kg	Max allowable wind speed	12.5m/s
Boom form	9 Section	Basket Material	Aluminum	Control volteage	12v Or 24v
Optional:	Fly jib 1.5m; Ground monitor; operator cabin(A/C);				



60000m<sup>2</sup>  
FLOOR SPACE

80+  
EXPORT COUNTRIES

600+  
MONTHLY PRODUCTION

350+  
EQUIPMENT

# OEM/ODM

OFFER OEM/ODM SERVICE OF TRUCK MOUNTED CRANES, MARINE CRANES, AERIAL PLATFORMS AND TRUCK TAILLIFTS.

